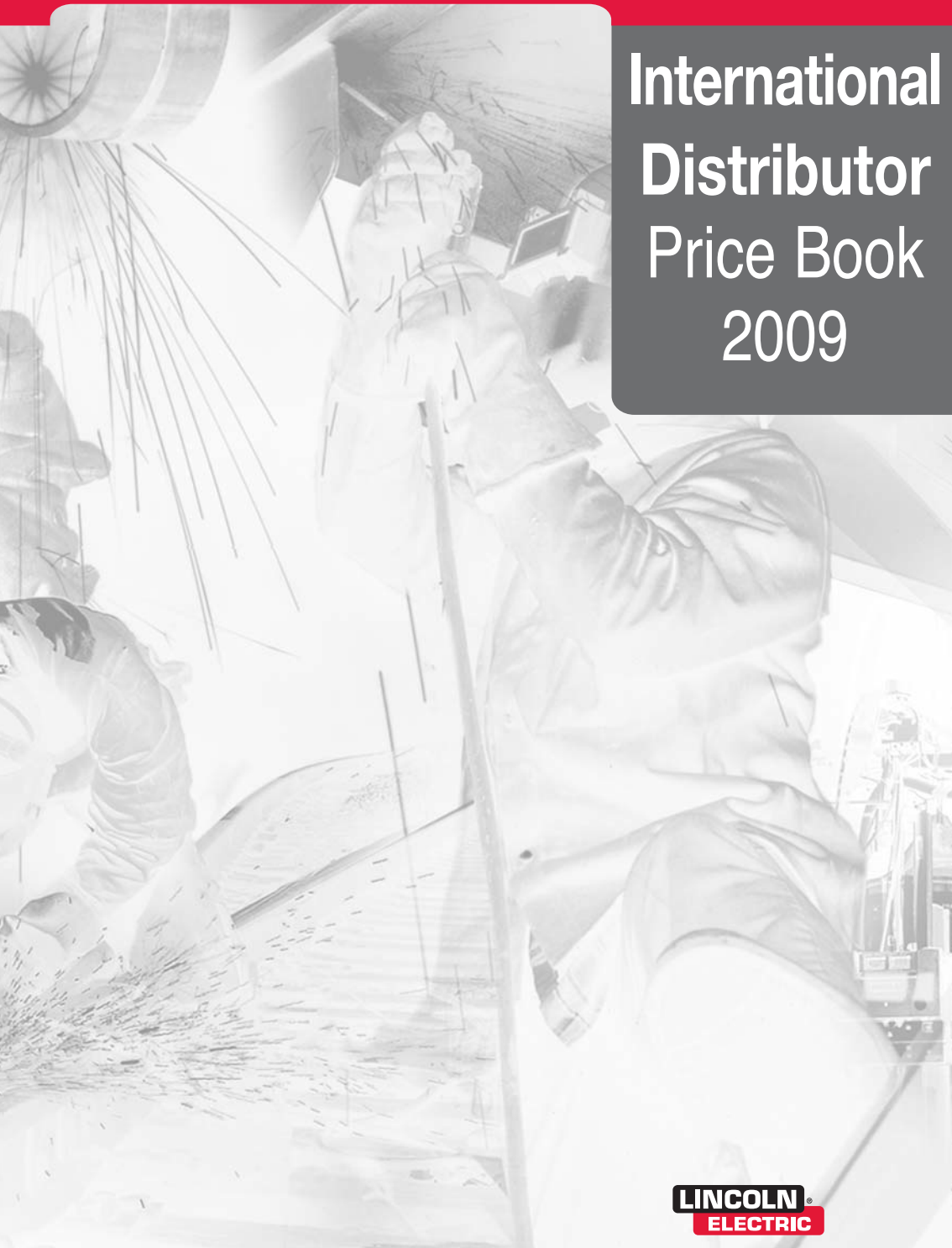


Lincoln Electric Europe

International Distributor Price Book 2009



LINCOLN
ELECTRIC

Why to buy Lincoln Electric ?

The Lincoln Electric Company

- **is** one of the largest manufacturers of welding consumables and equipment in Europe.
- has been manufacturing in Europe **for more than 75 years**.
- **has** 17 sales offices across Europe and more than 1500 people working to satisfy its Customers.
- **offers complete welding solutions**
 - full line of stick electrodes, TIG, MIG/MAG, metal- and flux-cored wires as well as submerged arc consumables for carbon and low alloy steel, stainless steel, hardfacing, cast iron and non-ferrous applications.
 - equipment that reflects the latest industry developments including stick welders, TIG welders, CV MIG welders, CC/CV multiprocess welders, plasma cutting, engine driven welders, wire feeders, robotic/automation systems, accessories, and environmental systems.
 - welding procedures for industry
 - base and advanced welding trainings

To learn more, visit www.lincolnelectric.eu

Ask Lincoln, The Welding Experts®

INDEX

Stick Welders

Invertec® V145-S	9
Invertec® V160-S & V160-S 2V	10
Invertec® V205-S - 2V	11
Invertec® V270-S & V270-S 2V	12
Invertec® V405-S	13
LINC 405-S & LINC 405-SA	14
LINC 635-S & LINC 635-SA	15
V350-PRO	16

TIG Welders

Invertec® V160-T & V160-T 2V	17
Invertec® V160-TP & V160-TP 2V	18
Invertec® V205-TP -2V	19
Invertec® V270-T	20
Invertec® V270-TP	21
Invertec® V405-TP	22
Invertec® V205-T AC/DC	23
Invertec® V310-T AC/DC	24

MIG Welders

Handy Core & Handy MIG	25
Power MIG® 180C	26
Powertec® 161C / 191C / 231C / 271C	27
Powertec® 200C	28
Powertec® 250C	29
Powertec® 300C	30
Powertec® 280C PRO	31
Powertec® 350C PRO	32
Powertec® 420C PRO	33
Powertec® 300S / LF-22 (LF-24 / LF-24PRO)	34
Powertec® 360S / LF-24 (LF-22 / LF-24PRO)	35
Powertec® 420S / LF-24 PRO (LF-22 / LF-24)	36
Powertec® 500S / LF-24 PRO (LF-22 / LF-24)	37
CV 420 / LF-33	38
CV 505 / LF-33	39
V350-PRO / LF-37 & LF-38	40
DC 400	41

Pulse / STT Welders

STT II / LF-33 & LF-37	43
Power Wave® 345M C	44
Power Wave® 405M / LF-40	45
Power Wave® 455M / LF-40	46
Power Wave® 455M/STT / Power Feed™ 10MD	47

Semi-automatic Wire Feeders

LF-22, LF24 & LF-24 PRO	49
LF-33, LF-34, LF-35	51
LF-37 & LF-38	53
LF-40	55
LN-15	57
LN-23P	59
LN-25 Innershield	60
LN-25 MIG / Flux cored w/contactor	61

LN-10 bench	62
Power Feed™ 10M & 10M DUAL	64

Engine Driven Welders

RANGER™ 305D	67
VANTAGE 400 CE & VANTAGE 500 CE	68
SAE 400	69

Plasma Cutting Systems

Invertec® PC-208 & PC-210	71
Invertec® PC-620 & PC-1030	72

Subarc welders

Power Wave® 1000 AC/DC / PF10A	73
DC-655	74
DC-1000	75
DC-1500	76
AC-1200	77

Automatic Wire Feeders

NA-3 & NA-4	79
NA-5	81
LT7	83

Accessories & Expendables

Cables	85
Tungsten Electrodes	86
MIG and Submerged Arc Wires Accessories	87
MIG Guns (LINC GUN 140 D)	89
MIG Guns (LINC GUN 150 G)	90
MIG Guns (LINC GUN 150 GD)	92
MIG Guns (LINC GUN 240 G)	93
MIG Guns (LINC GUN 250 G)	95
MIG Guns (LINC GUN 260 G)	97
MIG Guns (LINC GUN 360 G)	99
MIG Guns (LINC GUN 420 G)	101
MIG Guns (LINC GUN 410 W/ 500 W)	103
MIG Guns (LINC GUN PP 300 G & PP 400 W)	105
MIG Guns (LINC GUN S2F ALU)	106
Innershield Gun K115	107
Innershield Gun K126 - K345 - K355	108
Plasma torches LC25	109
Plasma torches LC60	110
Plasma torches LC60M	111
Plasma torches LC100	112
Plasma torches LC100M	113
TIG Torches (type 9 / 20)	114
TIG Torches (type 17 / 18 / 26)	116
Welding helmets Linc Screen	118

INDEX (Continued)

Consumables

Electrodes for mild and unalloyed steels

Cellulosic electrodes	119
Rutile electrodes	120
Rutile electrodes high recovery	121
Basic electrodes	122
Basic electrodes high recovery	125

Electrodes for low alloyed steels :

Cellulosic electrodes	127
High strength / Wear resistant electrodes	128
Creep resistant electrodes	130
Low temperature electrodes	131

Mild, low and unalloyed wires :

Unalloyed solid wires	133
Low alloyed solid wires	134
Unalloyed TIG Rods	135
Low alloyed TIG Rods	136
Oxy-gas fuel rods	138

Mild and low alloyed flux cored wires :

Innershield wires	139
Outershield wires	140

Mild and low alloyed submerged arc fluxes & wires :

Solid wires	143
Fluxes	147

Stainless steel consumables :

Electrodes	149
Flux-cored wires	155
MIG wires Plus	156
MIG wires	158
TIG Rods Plus	159
TIG Rods	161
Subarc wires & fluxes	162

Maintenance & repair :

Electrodes	167
------------------	-----

Nickel & Copper :

Electrodes	171
Solid wires	172
TIG Rods	174
Solid wires	175
Subarc wires	176

Aluminium :

Electrodes	177
Solid wires	178
Solid wires Superglaze	179
TIG Rods	180
TIG Rods Superglaze	181

Others :

Ceramic Backing Materials	183
---------------------------------	-----

PIPELINER :

Electrodes	185
------------------	-----

Lincoln Europe Export Organisation

HEAD OFFICE

Lincoln Electric Europe B.V.

Nieuwe Dukenburgseweg 20 - 6534 AD Nijmegen - The Netherlands
P.O. Box 253 - 6500 AG Nijmegen - The Netherlands

CONTACTS PERSONS

	Mail	Telephone	Fax
Export Director			
• Fred Griffhorst	fgriffhorst@lincolnelectric.eu	(31) 24 352 2211	(31) 24 3 52 2213
Representatives			
• Yves Lermينياux	ylermينياux@lincolnelectric.eu	(33) 23 2 11 4057	(33) 23 2 11 4008
• Eren Ertug	eertug@lincolnelectric.eu	(90.262) 679 77 98	(90.262) 679 77 99
• Jaroslaw Babik	jbabik@lincolnelectric.eu	(38) 067 6570643	
• Feodor Kvasov	fkvasov@lincolnelectric.eu	7 (495) 981-4700	7 (495) 967-6534
• Valeriy Mamonov	vmamonov@lincolnelectric.eu	7 (812) 324-1574	7 (812) 324-1574
• Valérie Brière (MENA)	vbriere@lincolnelectric.com	(9714) 88 333 17	(9714) 88 333 18
Technical Support			
• Fred Neessen	fneessen@lincolnelectric.eu	(31) 24 3 522 282	(31) 24 352 2272
• Harm Meelker	hmeelker@lincolnelectric.eu	(31) 24 3 522 411	(31) 24 352 2272
After Sales LEF			
• Ludovic Masurier	lmasurier@lincolnelectric.eu	(33) 232 10 40 19	(33) 232 11 52 08
After Sales LEI			
• Giorgio Bozzano	gbozzano@lincolnelectric.eu	(39) 010 754 1164	(39) 0 107 54 1154
After Sales LEB			
• Kazimierz Antczyk	kantczyk@lincolnelectric.eu	(48) 74 64 61 188	(48) 74 64 080
CUSTOMER SERVICE			
	Mail	Telephone	Fax
Lincoln Electric France	<i>Avenue Franklin Roosevelt - 76121 Le Grand Quevilly Cedex - France</i>		
• Véronique Rodrigues	vrodriques@lincolnelectric.eu	(33) 232 11 40 69	(33) 232 11 40 08
• Amélie Baude	abaude@lincolnelectric.eu	(33) 232 11 40 35	(33) 232 11 40 08
Lincoln KD S.A.	<i>Laureà Miró 396-398 - 08980 St. Feliu de Llobregat, Barcelona - Spain</i>		
• Marie-José Combarete	mcombarete@lincolnelectric.eu	(34) 93 685 96 02	(34) 93 685 96 23
Lincoln Electric Italia S.r.l.	<i>Via Fratelli Canepa 8, 16010 Serra Riccò (Genova) - Italia</i>		
• Michela Garino	mgarino@lincolnelectric.eu	(39) 010 754 1133	(39) 010 754 1150
Lincoln Smitweld B.V.	<i>Mailing address: P.O. Box 253 - 6500 AG Nijmegen - The Netherlands</i>		
	<i>Collection/courier address: Nieuwe Dukenburgseweg 20 - 6534 AD Nijmegen - The Netherlands</i>		
• Jos Werson	exportdesk@lincolnelectric.eu	(31) 24 3 52 2220	(31) 24 3 52 2204
• Maarten Witpaard		(31) 24 3 52 2221	
• Denitsa Psycheva		(31) 24 3 52 2257	
Lincoln Electric Bester S.A.	<i>ul. Jana III Sobieskiego 19a, 58-263 Bielawa 4, Poland</i>		
• Bartosz Kutarba	bkutarba@lincolnelectric.eu	(48) 74 64 61 098	(48) 74 64 61 084
• Wiktoria Kijek	wkijek@lincolnelectric.eu	(48) 74 64 61 097	
• Katarzyna Wisniewska	kwisniewska@lincolnelectric.eu	(48) 74 64 61 089	
Harris Calorific International Sp. z o.o.	<i>ul. Strefowa 8, 58-200 Dzierżonów Poland</i>		
• Agata Waclaw	awaclaw@lincolnelectric.eu	(48) 74 646 23 30	(48) 74 646 23 50

Terms and conditions of sales

The customer agrees to be bound by Lincoln's then current Terms & Conditions of Sale and Prices of the relevant European Lincoln Entity (a copy of which is attached as exhibits of this document), which can be modified by Lincoln and as in effect from time to time, notwithstanding any provisions to the contrary in any purchase order forms or other forms of Lincoln's commercial documents. For the international business contemplated by this Agreement, special terms and conditions covering payment, freight, insurance, forwarding and other matters related to foreign sales may be required by Lincoln from time to time in Lincoln's sole judgement and discretion in each case. All such terms and conditions are subject to change by Lincoln from time to time in Lincoln's sole discretion with two weeks prior notice to the customer.

Notwithstanding the various Terms & Conditions of Sale and Prices of the relevant European Lincoln Entity, the following conditions should always apply:

Prices

- Prices listed are in EURO.
- Prices are ex-works (Manufacturing plants Europe)
- Prices will be those in effect at the time the order is entered at the relevant Lincoln Europe Entity's factory office. Prices for orders with buyer specified ship dates calling for shipment beyond 30 days from the order entry date will be those in effect at the time of shipment.
- Orders received against quotations made by the relevant Lincoln Europe Entity's factory office or its Export distributors will be invoiced at those prices valid at time of quotation. The date of quotation must be within 90 days prior to the price change, and the order resulting from the quotation must be in the relevant Lincoln Europe Entity's factory office within 105 days from the original date of quotation. For Export Distributors, a copy of the dated quotation must be received by the relevant Lincoln Europe Entity within 15 days of quotation date.
- Lincoln reserves the right to change prices and conditions of sale without prior notice.
- The costs of shipment and delivery will be the responsibility of the buyer, unless otherwise agreed.
- Prices do not include taxes and are subject to the addition of any tax required by law.
- Prices include domestic packing or packaging per the Lincoln's standard practice.
- Additional costs (referred to further explained in the European Export Distributor Price Book) will be charged by the relevant Lincoln Europe Entity for:
 - a) Additional packing
 - b) Transport from the relevant Lincoln Europe Entity's factory to the harbour or airport
 - c) Insurance, legalisation of documents
 - d) Testing and certification

Payment Terms

Payment Terms shall be governed by Lincoln's then current Terms & Conditions of Sale and Prices of the relevant European Lincoln Entity.

Payment can be made by either:

1. Bank transfer of funds before shipment
2. Cash against documents
3. Irrevocable Letter of Credit (consult the factory)
4. Bank transfer or funds after agreed terms against invoice or B/L.

• Lincoln Electric France

- **Bank of America (do not use for LC)**

43-47 Av. de la Grande Armée - 75116 Paris, France
Account number : FR76 41219 16010 00030218017 Clé : 86
Swift code : BOFAFRPP
Tél. : (33) 1 45 02 68 21 - Fax : (33) 1 45 01 77 89

- Natexis Banques Populaires

Paris, France
Account number : FR76 3000 7999 9904 4607 2100 072

Swift code : BFCFRPP

Tél. : (33) 148 00 48 00 - Fax : (33) 148 00 41 51

- Société Générale

Paris, France

Account number : 76 30003 01780 00020047852 54

Swift code : SOGEFRPP

Tél. : (33) 235 52 58 41 - Fax : (33) 235 52 58 46

• Lincoln KD S.A.

- **Bank of AMERICA (do not use for LC)**

Paseo Castellana, 35 - 28046 MADRID, España

(Do not use for L/C)

Account number : IBAN ES 1485 0001 0300 34738010

Swift : BOFAES2X

Tél. : (34) 91 396 50 00 - Fax : (34) 91 396 51 23

- **Banco Bilbao Vizcaya Argentaria**

C/ "El Pla", 166 - Polígono Indl. "El Pla"

08980 Sant Feliu de Llobregat - España

Account number : IBAN ES 83 0182 5415 2502 0150 4368

Swift : BBVAESMM

Tél. : (34) 93 401 53 47 - Fax : (34) 93 401 52 54

- **BANCO SABADELL ATLANTICO**

CN 340 Edificio Madison, 122 Pl. 1

008960 Sant Just Desvern - España

Account number : IBAN ES62 0081 5341 9000 0102 9304

Swift : BSABESBB

Tél. : (34) 93 470 07 59 - Fax : (34) 93 470 07 67

• Lincoln Credit Italia

- **UniCredit Banca d'Impresa**

Via Dante 1, 16121 Genova

Account 000345775

SWIFT: UNCRIT2VGEW

Tél. : (39) 010 55 491 - Fax : (39) 010 5549378

• Lincoln Smitveld BV

- **Bank of America N.A.**

Herengracht 469 - 1017 BS Amsterdam, Netherlands

Account 26 65 64 836 - BIC: BOFANLNX

IBAN: NL65 BOFA 0266 5648 36

Tél. : (31) 20 557 1677 - Fax : (31) 20 557 1600

• Lincoln Smitveld BV (Only for L.C.s)

- **ABN - AMRO Bank**

Keizer Karelplein 33 - 6511 NH Nijmegen,

P.O. Box 79 - 6500 AB Nijmegen, Netherlands

Account 453070833 - BIC: ABN ANL 2A

IBAN: NL94 ABNA 0453070833

Tél. : (31) 24 36 51 451 - Fax : (31) 24 36 00 355

Terms and conditions of sales (Continued)

• Lincoln Electric Bester S.A.

- Bank Zachodni WBK S.A.

O/Bielawa ul. 3 Maja 4

Account 54 10902284 0000 0005 8608 8602 (for payments in Euro)

IBAN: PL10902284

SWIFT: WBKPLPPP

Transfer of Risks

- Transfer of Risks will take place according to the INCOTERMS in force at the time of shipment.
- Once transfer of Risks has taken place, the risk of loss and damage in transit by the Carrier will be the responsibility of the Customer.

Reservation of Title

- Ownership of the Goods shall remain with Lincoln, which reserve the right to dispose of the Goods until such time as :
 - Payment in full for all the Goods has been received; or
 - The Buyer sells the Goods to his customers in the ordinary course of business.
- If the Buyer fails to pay any amount of the Buyer's total indebtedness to Lincoln under these conditions of sale when it is due to Lincoln or, an event of default as specified in sub-clause hereof occurs, Lincoln may without prejudice to any of its other rights and remedies recover and/or re-sell the Goods or any of them and may enter upon the Buyer's premises for that purpose.
- Until full payment is received by Lincoln, the Buyer shall store the Goods in a way that clearly manifests Lincoln's title.
- The Buyer acknowledges that until his total indebtedness under these conditions of sale to Lincoln is discharged, he holds the Goods as bailee for Lincoln and that a fiduciary relationship exists between them.
- In the event of sale of the Goods to a customer, the buyer in his position as a fiduciary shall :
 - assign to Lincoln the benefit of any claim against the customer, and;
 - account fully to Lincoln for the proceeds of the sale (unless and until the Buyer's total indebtedness to Lincoln under these conditions of the sale is discharged)

Liability of Delay

- All delivery times quoted are the best estimates based on those provided by our various suppliers. Lincoln will endeavor to ensure supply of all Goods and Services on schedule, but will not be responsible for delay outside Lincoln's control and will have no liability in the matter including consequential losses.

Cancellation of Orders

- Cancellation of orders for standard products (not specially made to customer specifications) will be accepted under the following conditions:
 - Written cancellation notice received at least 4 weeks before date of shipment: No charge
 - Written cancellation notice received from 4 to 1 week before date of shipment: 10% of order value

Return of Materials

- All returns must be in new and unused condition, in original packaging with all included accessories. It will apply only to current products.
- All returns are subject to approval and charges on a case by case basis.
- A Customer wishing to return some or all of the items delivered must receive written approval from Lincoln.
- Restocking charges, if applicable, will be determined by Lincoln.

General

- The business of the Lincoln Electric Company is manufacturing and selling high quality welding equipment, consumables and cutting equipment. Our challenge is to meet the needs of our customers and to exceed their expectations. On occasion, purchasers may ask Lincoln Electric for advice or information about their use of our products. We respond to our customers based on the best information in our possession at that time. Lincoln Electric is not in a position to warrant or guarantee such advice, and assumes no liability with respect to such information or advice. We expressly disclaim any warranty of any kind, including any warranty of fitness for any customer's particular purpose with respect to such information or advice. As a matter of practical consideration, we also cannot assume any responsibility for updating or correcting any such information or advice once it has been given, nor does the provision of information or advice create, expand or alter any warranty with respect to the sale of our products.
- Lincoln Electric is a responsive manufacturer, but the selection and use of specific products sold by Lincoln Electric is solely within the control of, and remains the sole responsibility of the customer. Many variables beyond the control of Lincoln Electric affect the results obtained in applying this type of fabrication methods and service requirements.

Additional Costs

Insurance

To be arranged or ordered by the Customer

Testing and Certification

Lincoln will provide testing and certification when indicated on Customer's purchase order.

- 2.2 PCR is free of charge
- 3.1.B PCR will be charged at cost (depending on requirements)
- Certificate of origin stamped by Chamber of Commerce: 17 euros (each original/copy)
- Commercial invoice stamped by Chamber of Commerce: 5 euros (each original/copy)

Inspection of goods before shipment

Inspection of goods before shipment, required by importer's country or importer of the goods, must be arranged by and at importer's charge.

Fumigation

Cost of Fumigation (including Fumigation Certificate) is on request (since it depends of load of goods to fumigate)

Legalisation & Translation of documents through Consulate and/or Embassy

Cost is on request

Transportation

Transportation from Lincoln's Factory to Harbour or Airport (Check Factory)

Packaging

- No additional charges for standard Euro pallets with plastic wrap
- Plastic Pallets 25 euros per pallet
- Alternative boxes, pallets or packaging Check with factory
- Wood certification is available on request - Other forms of packaging to be quoted by the manufacturing unit

Export Packaging Overseas

Based on experiences from recent history, it has been decided by the Lincoln Smitweld Consumables Board:

1. To sell and ship all **Un- and Low alloyed TIG rods in 2 kg PE tubes:**

It concerns the following TIG wires:

- LNT 12/19/20/25/26/28
- LNT Ni 1 and Ni 2,5
- LNT 502 and LNT 9 Cr

For LNT 25/26 there is a special export packaging available.

2. We recommend to sell and ship **all under mentioned basic coated electrodes in SRP (Sahara Ready Pack):**

- Baso 100, 120, 48 SP, Baso G
- Conarc 48, 49C, 51, L150, V250, 80, 85
- Kryo 1, 1P, 1N, 2, 3
- SL 9Cr(P91)/12G/19G/19G(STC)/20G/20G(STC)/22G/502 (only ø2,5 mm)

This instruction is valid for all countries and transport areas were during the days the temperatures and/or the humidity is very high, and the temperature during the night is very low. If above mentioned instruction is not followed there is a great risk of damage/corrosion of mentioned products in a short time after arrival or during transport.

Countries/areas known for these climatologic conditions are: Australia - Asia Pacific - Latin America - New Zealand - Middle East - Africa - Russia

The damage for the TIG wires is corrosion (rust). The damage for the basic electrodes is a damage of the coating, resulting in loose of coating.

Un- and Low alloyed TIG rods

To avoid corrosion (rust) on the wire surface we used to

advise to use polyethylene tubes (2 kg packaging) in those countries where during the day the temperature and/or the humidity is very high and the temperature during the night is relatively low.

Countries/areas known for these climatologic conditions are:

- Australia - Asia Pacific - Latin America - New Zealand - Middle East - Africa - Russia

Now we are able to offer you a bulk packaging especially suitable for export under above-mentioned conditions.

This large cardboard (foil protected) box contains small cardboard boxes, 5 kg each, which are sealed in aluminium foil. The aluminium foil is guaranteed to be impermeable, tear resistant, applicable for heavy duty and environmental friendly.

This packaging is most appropriate for overseas transport, for the tropics and (unopened) storage under extreme conditions. Each export box shall contain only one product in one diameter with a net weight of 500 kg. Mixed quantities are not allowed and we can only accept orders of a multiple of 500 kg.

Additional costs for export box (can be stacked) are Euro 30. This new packaging is available upon request.

The price of the product itself is equal to the standard 5 kg carton box distributor price.

Product	Diameter (mm)	Article number
LNT 25	1.6	582635
LNT 25	2.0	582642
LNT 25	2.4	582659
LNT 25	3.0	580341
LNT 26	2.0	604207
LNT 26	2.4	604221

Arc welding products performance plus warranty* Export distributors Lincoln Europe

Lincoln Electric Europe (Lincoln) warrants to the customers of all new welding and cutting equipment (collectively called the "Goods") that it will be free of defects in workmanship and material. This warranty is void if Lincoln or its Authorised Service Facility finds that the equipment has been subjected to improper installation, improper care or abnormal operations

Warranty Period (1)

The Distributor will assume both the parts and labour expense of correcting defects during the full warranty period. All warranty periods date from the date of purchase to the original end-user and are as follows:

- 3 Years
 - All Lincoln welding machines and wire feeders unless listed below.
- 2 Years
 - PC208, PC210, PC620, PC1030, V145S, V160S, V205S, V270S, V405S, LINC405/635-S & SA, V160T, V160TP, V205TP, V270TP, V405TP, V205T-AC/DC, V310T-AC/DC
- 1 Year
 - Bester branded machines
 - All stick electrodes, welding wire and flux, provided that the storing and handling conditions recommended by the factory have been followed.
 - All Environmental Systems equipment, including portable units, central units, guns and cables assemblies and accessories. (Does not include consumable items listed under 30-day warranty.)
 - All welding and cutting accessories including water coolers, wire feed modules, undercarriages, field installed options that are sold separately, unattached options, welding supplies, standard accessory sets, replacement parts, and Magnum products. (Does not include expendable parts and guns / torches listed under 90 and 30 day warranty.)
- 90 Days
 - All gun and cable assemblies, TIG and Plasma torches and spool guns.
- 30 Days
 - All consumable items that may be used with the environmental systems described above. This includes hoses, filters, belts and hose adapters.
 - Expendable parts - Lincoln is not responsible for the replacement of any expendable part that is required due to normal wear. These are listed in section PT - Parts.
 - All software.

Conditions of Warranty (2)

Unless there is a different agreement with your regional responsible Lincoln organisation, the distributor will be responsible for all warranty claims and product services for standard welding equipment in consideration of a warranty fee in the Assigned

1) All engines and engines accessories are warranted by the engine manufacturer and are not covered by this warranty (see below).

2) Contact the plants for the official warranty reports.

(*) Statement of Limited Warranty

Territory with respect to sales:

- (a) made by the Distributor and by any of its sub-distributors; and
- (b) made by the relevant Lincoln Europe Entity for which Distributor has been credited a warranty fee. Unless there is a different agreement with your regional responsible Lincoln organisation

Lincoln will pay the distributor an amount equal to one percent (1%) of the net invoiced sale by the relevant Lincoln Europe Entity of Lincoln Products / specified welding equipment to cover these warranty expenses. The amount will be shown on invoices for the welding equipment as a deduction and identified as a warranty fee. This payment is to be in lieu of and to discharge any responsibility of Lincoln for warranty claims and product services by the Distributor or its customers arising from the sale of Lincoln equipment purchased from the relevant Lincoln Europe Entity by the Distributor.

P.C Boards are handled in a different manner. Lincoln's standard warranty on P.C. Boards is extended to our distributors in the foreign field. P.C. Boards removed from machines that are under warranty may be returned to Lincoln Electric Europe. If Lincoln Europe find that a P.C. Board is defective because of defective workmanship, defective design or defective parts from the vendor, we will either replace the P.C. board free of charge or issue a credit to the distributor account at the distributor costs of the subject P.C. board. If a replacement board is requested, it may be sent with the next load of material that goes to that particularly destination.

If it is found that the P.C. Board is not defective, then it will be returned to the destination in the same manner noted above. If the P.C. Board is defective due to something that happened to the machine in service that is the user's fault or responsibility, the particular representative who sent the P.C. Board will be notified that the board was damaged but is not covered under warranty. That particularly board will then be scrapped.

Warranty Limitations:

Lincoln will not accept responsibility or liability for repairs made outside of a Lincoln Authorised Service Facility. Lincoln's liability under this warranty shall not exceed the cost of correcting the defect of the Lincoln product. Lincoln will not be liable for incidental or consequential damages (such as loss of business, etc.) caused by the defect or the time involved to correct the defect. This written warranty is the only express warranty provided by Lincoln with respect to its product. Warranty implied by law, such as the warranty merchantability, are linked to the duration of the limited warranty for the equipment involved. This warranty gives the purchaser specific legal rights. The purchaser may also have other rights, which may vary, from region to region.

Engine warranty coverage period

- Begins on Date of Purchase by End User
- Removal and Replacement of Engine is Covered By Engine Manufacturer*

Engine Manufacturer Coverage

- Perkins - One Year** on Parts & Labour. Two years major components – all models world-wide.
- Kubota - One Year** or 1000 Hours***
- Deutz - One Year** (Extension Available)

Notes:

* Time allowed is a local determination. Engine manufacturer requires pre-approval for work having unusual circumstances. Contact local distributor for initial assistance.

** Transferable from first owner to subsequent owners within warranty period.

*** Whichever comes first.

Invertec® V145-S

Input (V) : 230/1/50-60
Fuse size (A) : 16
Output range (A) : 5 - 145
Rated output : 145A/25,8V@35% • 105A/24,2V@100%
Processes : Stick Soft, Stick Crisp (cel.), Lift TIG DC
Insulation/Protection class : IP23 / H
Weight (kg) : 7
Dimensions HxWxD (mm) : 288 x 158 x 392
Warranty : 2 years
Instruction manual : IM2001



Output



Input



Description	ITEM NUMBER	Price
Invertec® V145 S - CE <i>Includes : Input cable (2m)</i>	K12009-1	329.99 €
Invertec® V145 S Package "Ready To Weld" - CE <i>Includes : Suitcase, Electrode cable with clamp, Ground cable with clamp, Hand shield, Chipping hammer with brush</i>	K12009-1-P	410.66 €

Options

Cable Kits :		
140A - 16mm ² - 3m with ground clamp & electrode holder (clamp)	KIT-140A-16-3M	21.54 €
140A - 25mm ² - 5m with ground clamp & electrode holder (clamp)	KIT-140A-25-5M	32.31 €
TIG torches :		
LT 17 GV, air cooled, 140A-DC/100A-AC@35%, 4m, MANUAL VALVE, 10-25 conn.	K10513-17-4VS	68.83 €
LT 17 GV, air cooled, 140A-DC/100A-AC@35%, 8m, MANUAL VALVE, 10-25 conn.	K10513-17-8VS	86.66 €
Accessories :		
Gas pressure regulator	Consult us	
Suitcase with accessories only (V145-S not included)	W7915000A	73.42 €

■ **Recommended Package** 351.53 €

Invertec® V160-S & V160-S 2V

Input (V) : V160S : 230/1/50-60
V160S-2V : 115/230/1/50-60
Fuse size (A) : 16 - 32/16
Output range (A) : 5 - 160
Rated output : 160A/26,4V@ 35% • 130A/25,2V@100%
Processes : Stick, Lift TIG DC
Insulation/Protection class : IP23S / H
Weight (kg) : 10,5
Dimensions HxWxD (mm) : 320 x 200 x 430
Warranty : 2 years
Instruction manual : IM2007



Output



Input



Description

ITEM NUMBER

Price

■	Invertec® V160 S - CE <i>Includes : Input cable (2m), Carrying strap</i>	K12016-1	592.11 €
■	Invertec® V160 S - 2V - CE <i>Includes : Input cable (2m), Carrying strap</i>	K12016-3	644.90 €

Options

Cable Kits :

■	200A - 25mm ² - 3m with ground clamp & electrode holder (clamp)	KIT-200A-25-3M	29.23 €
■	200A - 35mm ² - 5m with ground clamp & electrode holder (clamp)	KIT-200A-35-5M	43.08 €

TIG torches :

■	LT 17 GV, air cooled, 140A-DC/100A-AC@35%, 4m, MANUAL VALVE, 35-50 conn.	K10513-17-4V	68.83 €
■	LT 17 GV, air cooled, 140A-DC/100A-AC@35%, 8m, MANUAL VALVE, 35-50 conn.	K10513-17-8V	86.66 €

Accessories - Gas pressure regulator

Consult us

■	Undercarriage - 2-wheeled cart delivered as a kit, for portable power sources	W0200002	141.76 €
---	--	----------	----------

■ **Recommended Package** 621.34 €

■ **Recommended Package** 674.13 €

Invertec® V205-S - 2V

Input (V) : 230/400/1/50-60
Fuse size (A) : 32/20
Output range (A) : 5 - 200
Rated output : 200A/28V@35% • 170A/26,8V@100%
Processes : Stick, Lift TIG DC
Insulation/Protection class : IP23S / H
Weight (kg) : 16,8
Dimensions HxWxD (mm) : 385 x 215 x 480
Warranty : 2 years
Instruction manual : IM2006



Output



Input



Description	ITEM NUMBER	Price
<p>■ Invertec® V205 S - 2V - CE <i>Includes : Input cable (2m), Carrying strap</i></p>	K12019-1	946.00 €
Options		
Cable Kits :		
■ 200A - 25mm ² - 3m with ground clamp & electrode holder (clamp)	KIT-200A-25-3M	29.23 €
200A - 35mm ² - 5m with ground clamp & electrode holder (clamp)	KIT-200A-35-5M	43.08 €
TIG torches :		
LT 17 GV, air cooled, 140A-DC/100A-AC@35%, 4m, MANUAL VALVE, 35-50 conn.	K10513-17-4V	68.83 €
LT 17 GV, air cooled, 140A-DC/100A-AC@35%, 8m, MANUAL VALVE, 35-50 conn.	K10513-17-8V	86.66 €
Remote controls :		
Control box, 1 potentiometer, 6 pins, 15m	K10095-1-15M	51.33 €
Extension cable for remote control box, 6 pins, 15m	K10398	44.67 €
Accessories - Gas pressure regulator	Consult us	
Undercarriage - 2-wheeled cart delivered as a kit, for portable power sources	W0200002	141.76 €

■ **Recommended Package** 975.23 €

Invertec® V270-S & V270-S 2V

Input (V) : V270S : 400/3/50-60
V270S-2V : 230/400/3/50-60

Fuse size (A) : 20 - 35/20

Output range (A) : 5 - 270

Rated output : 270A/30,8V@35% • 200A/28V@100%

Processes : Stick, Stick-cel., Lift TIG DC

Insulation/Protection class : IP23S / H

Weight (kg) : 13,5

Dimensions HxWxD (mm) : 385 x 215 x 480

Warranty : 2 years

Instruction manual : IM2006



Description

ITEM NUMBER

Price

■	Invertec® V270 S - CE <i>Includes : Input cable (2m), Carrying strap</i>	K12022-1	944.94 €
■	Invertec® V270 S - 2V - CE <i>Includes : Input cable (2m), Carrying strap</i>	K12022-3	1 036.97 €

Options

Cable Kits :

■	250A - 35mm ² - 5m with ground clamp & electrode holder (clamp)	KIT-250A-35-5M	47.69 €
	300A - 50mm ² - 5m with ground clamp & electrode holder (clamp)	KIT-300A-50-5M	56.92 €

TIG torches :

	LT 17 GV, air cooled, 140A-DC/100A-AC@35%, 4m, MANUAL VALVE, 35-50 conn.	K10513-17-4V	68.83 €
	LT 17 GV, air cooled, 140A-DC/100A-AC@35%, 8m, MANUAL VALVE, 35-50 conn.	K10513-17-8V	86.66 €

Remote controls :

	Control box, 1 potentiometer, 6 pins, 15m	K10095-1-15M	51.33 €
	Extension cable for remote control box, 6 pins, 15m	K10398	44.67 €

Accessories - Gas pressure regulator

Consult us

	Undercarriage - 2-wheeled cart delivered as a kit, for portable power sources	W0200002	141.76 €
--	--	----------	----------

■ **Recommended Package** 992.63 €

■ **Recommended Package** 1 084.66 €

Invertec® V405-S

Input (V) : 400/3/50-60
Fuse size (A) : 30
Output range (A) : 5 - 400
Rated output : 400A/36V@35% • 300A/32V@100%
Processes : Stick, Stick-cel., Lift TIG DC, Gouge
Insulation/Protection class : IP23 / H
Weight (kg) : 31
Dimensions HxWxD (mm) : 500 x 270 x 610
Warranty : 2 years
Instruction manual : IM2006



Output



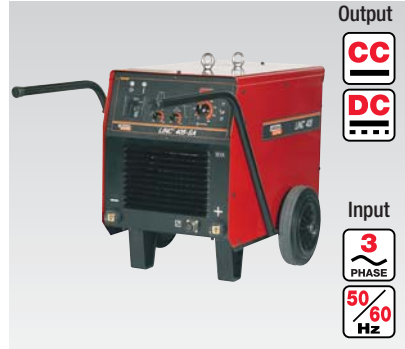
Input



Description	ITEM NUMBER	Price
<p>■ Invertec® V405 S - CE <i>Includes : Input cable (2m)</i></p>	K12025-1	1 534.21 €
Options		
Cable Kits :		
■ 400A - 70mm ² - 5m with ground clamp & electrode holder (clamp)	KIT-400A-70-5M	70.77 €
400A - 70mm ² - 5m with ground clamp & electrode holder (rotate)	KIT-400A-70-5M-R	101.54 €
Cables :		
Lug, Fast-mate - 95mm ² - 600A - 5m (air-arc gouge torch)	N/B-600A-95-5M	66.15 €
Lug, Fast-mate - 95mm ² - 600A - 10m (air-arc gouge torch)	N/B-600A-95-10M	149.23 €
Air arc gouge torches - Model K3000 (600A max)	K10103	240.00 €
TIG torches :		
LT 17 GV, air cooled, 140A-DC/100A-AC@35%, 4m, MANUAL VALVE, 35-50 conn.	K10513-17-4V	68.83 €
LT 17 GV, air cooled, 140A-DC/100A-AC@35%, 8m, MANUAL VALVE, 35-50 conn.	K10513-17-8V	86.66 €
Remote controls :		
Control box, 1 potentiometer, 6 pins, 15m	K10095-1-15M	51.33 €
Extension cable for remote control box, 6 pins, 15m	K10398	44.67 €
Accessories - Gas pressure regulator	Consult us	
■ Recommended Package		1 604.98 €

LINC 405-S & LINC 405-SA

Input (V) : 230/400/3/50-60
Fuse size (A) : 63/40
Output range (A) : 15 - 400
Rated output : 400A/36V@35% • 240A/29V@100%
Processes : Stick, Stick-cel., Gouge
Insulation/Protection class : IP23 / H
Weight (kg) : 126
Dimensions HxWxD (mm) : 640 x 580 x 700
Warranty : 2 years
Instruction manual : IM3014



Description

LINC 405-S - CE

Includes : Input cable (5m)

LINC 405-S - CE - Export packing

Includes : Input cable (5m)

LINC 405-S - CE - No wheels/handles/Export packing

Includes : Input cable (5m)

LINC 405-SA with meters - CE

Includes : Input cable (5m)

LINC 405-SA with meters - CE - Export packing

Includes : Input cable (5m)

Export packing = stackable wooden crate & tropical climat tested

Options

Cable Kits :

400A - 70mm² - 5m with ground clamp & electrode holder (clamp)

400A - 70mm² - 5m with ground clamp & electrode holder (rotate)

Ground cable assemblies :

Clamp, Fast-mate, cable 400A - 70mm² - 5m

Clamp, Fast-mate, cable 400A - 70mm² - 10m

Electrode cable assemblies :

Electrode holder, Fast-mate, cable 400A - 70mm² - 5m

Electrode holder, Fast-mate, cable 400A - 70mm² - 10m

Cables :

Extension cable, Fast-mate[®] - 70mm² - 10m (max. 30m@400A - 50m@300A)

Lug, Fast-mate - 95mm² - 600A - 5m (air-arc gouge torch)

Lug, Fast-mate - 95mm² - 600A - 10m (air-arc gouge torch)

Air arc gouge torches - Model K3000 (600A max)

Remote controls :

Control box, 1 potentiometer, 6 pins, 15m

Extension cable for remote control box, 6 pins, 15m

ITEM NUMBER

Price

K14002-2	967.78 €
K14002-4	988.96 €
K14002-3	967.87 €
K14002-1	989.14 €
K14002-5	1 015.36 €

Recommended Package

1 059.91 €

Recommended Package

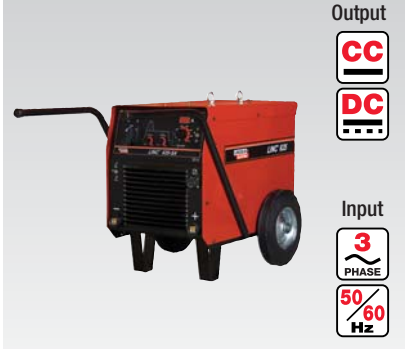
1 038.55 €

All prices are exclusive of VAT and are subject to Lincoln Electric standard terms and conditions of sale.
 Due to constant improvements Lincoln Electric reserve the right to amend any of the above without notification.

LINCOLN[®]
ELECTRIC

LINC 635-S & LINC 635-SA

Input (V) : 230/400/3/50-60
Fuse size (A) : 100/63
Output range (A) : 15 - 670
Rated output : 670A/44V@35% • 400A/36V@100%
Processes : Stick, Stick-cel., Gouge
Insulation/Protection class : IP23 / H
Weight (kg) : 150
Dimensions HxWxD (mm) : 670 x 580 x 700
Warranty : 2 years
Instruction manual : IM3014



	Description	ITEM NUMBER	Price
■	LINC 635-S - CE <i>Includes : Input cable (5m)</i>	K14038-2	1 258.79 €
	LINC 635-S - CE - Export packing <i>Includes : Input cable (5m)</i>	K14038-4	1 286.91 €
	LINC 635-S - CE - No wheels/handles/Export packing <i>Includes : Input cable (5m)</i>	K14038-3	1 201.19 €
■	LINC 635-SA with meters - CE <i>Includes : Input cable (5m)</i>	K14038-1	1 210.82 €
	LINC 635-SA with meters - CE - Export packing <i>Includes : Input cable (5m)</i>	K14038-5	1 323.47 €
	Export packing = stackable wooden crate & tropical climat tested		
	Options		
	Cable Kits :		
■	400A - 70mm ² - 5m with ground clamp & electrode holder (clamp)	KIT-400A-70-5M	70.77 €
	400A - 70mm ² - 5m with ground clamp & electrode holder (rotate)	KIT-400A-70-5M-R	101.54 €
	Ground cable assemblies :		
	Clamp, Fast-mate, cable 400A - 70mm ² - 5m	GRD-400A-70-5M	36.92 €
	Clamp, Fast-mate, cable 400A - 70mm ² - 10m	GRD-400A-70-10M	58.46 €
	Electrode cable assemblies :		
	Electrode holder, Fast-mate, cable 400A - 70mm ² - 5m	E/H-400A-70-5M	38.46 €
	Electrode holder, Fast-mate, cable 400A - 70mm ² - 10m	E/H-400A-70-10M	61.54 €
	Cables :		
	Extension cable, Fast-mate [Ⓜ] - 70mm ² - 10m (max. 30m@400A - 50m@300A)	EXT-70-10M	53.85 €
	Lug, Fast-mate - 95mm ² - 600A - 5m (air-arc gouge torch)	N/B-600A-95-5M	66.15 €
	Lug, Fast-mate - 95mm ² - 600A - 10m (air-arc gouge torch)	N/B-600A-95-10M	149.23 €
	Air arc gouge torches - Model K3000 (600A max)	K10103	240.00 €
	Remote controls :		
	Control box, 1 potentiometer, 6 pins, 15m	K10095-1-15M	51.33 €
	Extension cable for remote control box, 6 pins, 15m	K10398	44.67 €
■	Recommended Package		1 281.59 €
■	Recommended Package		1 329.56 €

All prices are exclusive of VAT and are subject to Lincoln Electric standard terms and conditions of sale.
 Due to constant improvements Lincoln Electric reserve the right to amend any of the above without notification.

V350-PRO

Input (V) : 200/220/380/415/440/1/3/50-60

Output range (A) : 5 -425

Rated output : 350A/34V@60% (3 ph) • 320A/33V@60% (1 ph)

Processes : Stick, Lift TIG DC, MIG, Gouge

Insulation/Protection class : IP23 / S

Weight (kg) : 38

Dimensions HxWxD (mm) : 376 x 338 x 709

Warranty : 3 years

Instruction manual : IM708



Output



Input



Description

ITEM NUMBER

Price

■	V350-Pro - CE <i>Includes : Input cable (3m)</i>	K1728-12	2 579.91 €
---	--	----------	------------

Options

Cable Kits :

■	400A - 70mm ² - 5m with ground clamp & electrode holder (clamp)	KIT-400A-70-5M	70.77 €
	400A - 70mm ² - 5m with ground clamp & electrode holder (rotate)	KIT-400A-70-5M-R	101.54 €

Ground cable assemblies :

	Clamp, Fast-mate, cable 400A - 70mm ² - 5m	GRD-400A-70-5M	36.92 €
	Clamp, Fast-mate, cable 400A - 70mm ² - 10m	GRD-400A-70-10M	58.46 €

Electrode cable assemblies :

	Electrode holder, Fast-mate, cable 400A - 70mm ² - 5m	E/H-400A-70-5M	38.46 €
	Electrode holder, Fast-mate, cable 400A - 70mm ² - 10m	E/H-400A-70-10M	61.54 €

Cables :

	Extension cable, Fast-mate [®] -50mm ² -10m (max. 30m@300A - 50m@200A)	EXT-50-10M	43.08 €
	Extension cable, Fast-mate [®] - 70mm ² - 10m (max. 30m@400A - 50m@300A)	EXT-70-10M	53.85 €

Remote controls :

	Control box, 1 potentiometer, 6 pins, 15m	K10095-1-15M	51.33 €
	Extension cable for remote control box, 6 pins, 15m	K10398	44.67 €

	Undercarriage - 4-wheeled (low) undercarriage with gas cylinder platform (2 cylinders)	K10262-3	147.29 €
--	---	----------	----------

■	Recommended Package	2 650.68 €
---	----------------------------	------------

Invertec® V160-T & V160-T 2V

Input (V) : V160T : 230/1/50-60
V160T-2V : 115/230/1/50-60

Fuse size (A) : 16 - 32/16

Output range (A) : 5 - 160

Rated output : 160A/26,4V/ @ 35% • 130A/25,2V@100%

Processes : HF & Lift TIG DC, Stick

Insulation/Protection class : IP23 / H

Weight (kg) : 10,5

Dimensions HxWxD (mm) : 320 x 200 x 430

Warranty : 2 years

Instruction manual : IM2007



Output



Input



Description	ITEM NUMBER	Price
<p>Invertec® V160 T - CE <i>Includes : Input cable (2m), Carrying strap, Gas connection kit.</i></p>	K12017-1	829.08 €
<p>Invertec® V160 T - 2V - CE <i>Includes : Input cable (2m), Carrying strap, Gas connection kit.</i></p>	K12017-3	895.98 €
Options		
Cable Kits :		
200A - 25mm ² - 3m with ground clamp & electrode holder (clamp)	KIT-200A-25-3M	29.23 €
200A - 35mm ² - 5m with ground clamp & electrode holder (clamp)	KIT-200A-35-5M	43.08 €
Ground cable assemblies :		
Clamp, Fast-mate, cable 200A - 35mm ² - 5m	GRD-200A-35-5M	21.54 €
Clamp, Fast-mate, cable 200A - 35mm ² - 10m	GRD-200A-35-10M	33.85 €
TIG torches :		
LT 17 G, air cooled, 140A-DC/100A-AC@35%, 4m, ergonomic grip	K10513-17-4	70.91 €
LT 17 G, air cooled, 140A-DC/100A-AC@35%, 8m, ergonomic grip	K10513-17-8	88.74 €
Remote controls :		
Control box, 1 potentiometer, 6 pins, 15m	K10095-1-15M	51.33 €
Foot amptrol, 6 pins, 7,6m	K870	198.58 €
Extension cable for remote control box, 6 pins, 15m	K10398	44.67 €
Accessories - Gas pressure regulator		
	Consult us	
Undercarriage - 2-wheeled cart delivered as a kit, for portable power sources	W0200002	141.76 €
Recommended Package		929.22 €
Recommended Package		996.12 €

Invertec® V160-TP & V160-TP 2V

Input (V) : V160TP : 230/1/50-60
V160TP-2V : 115/230/1/50-60

Fuse size (A) : 16 - 32/16

Output range (A) : 5 - 160

Rated output : 160A/26,4V@35% • 130A/25,2V@100%

Processes : HF & Lift TIG DC, TIG pulse, Stick

Insulation/Protection class : IP23 / H

Weight (kg) : 10,5

Dimensions HxWxD (mm) : 320 x 200 x 430

Warranty : 2 years

Instruction manual : IM2007



Output



Input



Description

ITEM NUMBER

Price

■	Invertec® V160 TP - CE <i>Includes : Input cable (2m), Carrying strap, Gas connection kit.</i>	K12018-1	878.04 €
■	Invertec® V160 TP - 2V - CE <i>Includes : Input cable (2m), Carrying strap, Gas connection kit.</i>	K12018-3	944.94 €

Options

Cable Kits :

■	200A - 25mm ² - 3m with ground clamp & electrode holder (clamp)	KIT-200A-25-3M	29.23 €
■	200A - 35mm ² - 5m with ground clamp & electrode holder (clamp)	KIT-200A-35-5M	43.08 €

Ground cable assemblies :

■	Clamp, Fast-mate, cable 200A - 35mm ² - 5m	GRD-200A-35-5M	21.54 €
■	Clamp, Fast-mate, cable 200A - 35mm ² - 10m	GRD-200A-35-10M	33.85 €

TIG torches :

■	LT 17 G, air cooled, 140A-DC/100A-AC@35%, 4m, ergonomic grip	K10513-17-4	70.91 €
■	LT 17 G, air cooled, 140A-DC/100A-AC@35%, 8m, ergonomic grip	K10513-17-8	88.74 €

Remote controls :

■	Control box, 1 potentiometer, 6 pins, 15m	K10095-1-15M	51.33 €
■	Foot amptrol, 6 pins, 7,6m	K870	198.58 €
■	Extension cable for remote control box, 6 pins, 15m	K10398	44.67 €

Accessories - Gas pressure regulator

■	Undercarriage - 2-wheeled cart delivered as a kit, for portable power sources	W020002	141.76 €
---	--	---------	----------

■ **Recommended Package** 978.18 €

■ **Recommended Package** 1 045.08 €

Invertec® V205-TP -2V

Input (V) : 230/400/1/50-60
Fuse size (A) : 32/20
Output range (A) : 5 - 200
Rated output : 200A/28V@35% • 170A/26,8V@100%
Processes : Stick, Lift TIG DC
Insulation/Protection class : IP23S / H
Weight (kg) : 16,8
Dimensions HxWxD (mm) : 385 x 215 x 480
Warranty : 2 years
Instruction manual : IM2006



Output



Input



Description	ITEM NUMBER	Price
Invertec® V205 TP - 2V - CE <i>Includes : Input cable (2m), Carrying strap, Gas connection kit.</i>	K12021-1	1 032.05 €
Options		
Cable Kits :		
200A - 25mm ² - 3m with ground clamp & electrode holder (clamp)	KIT-200A-25-3M	29.23 €
200A - 35mm ² - 5m with ground clamp & electrode holder (clamp)	KIT-200A-35-5M	43.08 €
Ground cable assemblies :		
Clamp, Fast-mate, cable 200A - 35mm ² - 5m	GRD-200A-35-5M	21.54 €
Clamp, Fast-mate, cable 200A - 35mm ² - 10m	GRD-200A-35-10M	33.85 €
TIG torches :		
LT 17 G, air cooled, 140A-DC/100A-AC@35%, 4m, ergonomic grip	K10513-17-4	70.91 €
LT 17 G, air cooled, 140A-DC/100A-AC@35%, 8m, ergonomic grip	K10513-17-8	88.74 €
LT 18 W, water cooled, 320A-DC/230A-AC@100%, 4m	K10513-18-4	85.65 €
LT 18 W, water cooled, 320A-DC/230A-AC@100%, 8m	K10513-18-8	103.28 €
Remote controls :		
Control box, 1 potentiometer, 6 pins, 15m	K10095-1-15M	51.33 €
Foot amptrol, 6 pins, 7,6m	K870	198.58 €
Extension cable for remote control box, 6 pins, 15m	K10398	44.67 €
Accessories - Gas pressure regulator		
	Consult us	
Water cooler - COOLARC 20	K12031-1	544.29 €
Undercarriage - 2-wheeled cart delivered as a kit, for portable power sources	W0200002	141.76 €
Recommended Air-Cooled Package		1 132.19 €
Recommended Water-Cooled Package		1 691.22 €

Invertec® V270-T

Input (V) : 400/3/50-60
Fuse size (A) : 20
Output range (A) : 5 - 270
Rated output : 270A/30,8V@35% • 200A/28V@100%
Processes : HF & Lift TIG DC, TIG pulse, Stick, Stick-cel.
Insulation/Protection class : IP23S / H
Weight (kg) : 13,5
Dimensions HxWxD (mm) : 385 x 215 x 480
Warranty : 2 years
Instruction manual : IM2006



Output



Input



Description

Invertec® V270 T - CE

Includes : Input cable (2m), Carrying strap, Gas connection kit.

ITEM NUMBER

K12023-1

Price

1 060.10 €

Options

Cable Kits :

250A - 35mm² - 5m with ground clamp & electrode holder (clamp)

KIT-250A-35-5M

47.69 €

300A - 50mm² - 5m with ground clamp & electrode holder (clamp)

KIT-300A-50-5M

56.92 €

Ground cable assemblies :

Clamp, Fast-mate, cable 300A - 50mm² - 5m

GRD-300A-50-5M

26.15 €

Clamp, Fast-mate, cable 300A - 50mm² - 10m

GRD-300A-50-10M

43.08 €

TIG torches :

LT 17 G, air cooled, 140A-DC/100A-AC@35%, 4m, ergonomic grip

K10513-17-4

70.91 €

LT 17 G, air cooled, 140A-DC/100A-AC@35%, 8m, ergonomic grip

K10513-17-8

88.74 €

LT 26 G, air cooled, 180A-DC/100A-AC@35%, 4m

K10513-26-4

76.00 €

LT 26 G, air cooled, 180A-DC/100A-AC@35%, 8m

K10513-26-8

99.94 €

LT 18 W, water cooled, 320A-DC/230A-AC@100%, 4m

K10513-18-4

85.65 €

LT 18 W, water cooled, 320A-DC/230A-AC@100%, 8m

K10513-18-8

103.28 €

Remote controls :

Control box, 1 potentiometer, 6 pins, 15m

K10095-1-15M

51.33 €

Foot amptrol, 6 pins, 7,6m

K870

198.58 €

Extension cable for remote control box, 6 pins, 15m

K10398

44.67 €

Accessories - Gas pressure regulator

Consult us

Water cooler - COOLARC 20

K12031-1

544.29 €

Undercarriage - 2-wheeled cart delivered as a kit, for portable power sources

W0200002

141.76 €

Recommended Air-Cooled Package

1 183.79 €

Recommended Water-Cooled Package

1 737.73 €

Invertec® V270-TP

Input (V) : 400/3/50-60
Fuse size (A) : 20
Output range (A) : 5 - 270
Rated output : 270A/30,8V@35% • 200A/28V@100%
Processes : HF & Lift TIG DC, TIG pulse, Stick, Stick-cel.
Insulation/Protection class : IP23S / H
Weight (kg) : 13,5
Dimensions HxWxD (mm) : 385 x 215 x 480
Warranty : 2 years
Instruction manual : IM2006



Output



Input



Description	ITEM NUMBER	Price
Invertec® V270 TP - CE <i>Includes : Input cable (2m), Carrying strap, Gas connection kit.</i>	K12024-1	1 245.31 €
Options		
Cable Kits :		
250A - 35mm ² - 5m with ground clamp & electrode holder (clamp)	KIT-250A-35-5M	47.69 €
300A - 50mm ² - 5m with ground clamp & electrode holder (clamp)	KIT-300A-50-5M	56.92 €
Ground cable assemblies :		
Clamp, Fast-mate, cable 300A - 50mm ² - 5m	GRD-300A-50-5M	26.15 €
Clamp, Fast-mate, cable 300A - 50mm ² - 10m	GRD-300A-50-10M	43.08 €
TIG torches :		
LT 17 G, air cooled, 140A-DC/100A-AC@35%, 4m, ergonomic grip	K10513-17-4	70.91 €
LT 17 G, air cooled, 140A-DC/100A-AC@35%, 8m, ergonomic grip	K10513-17-8	88.74 €
LT 26 G, air cooled, 180A-DC/100A-AC@35%, 4m	K10513-26-4	76.00 €
LT 26 G, air cooled, 180A-DC/100A-AC@35%, 8m	K10513-26-8	99.94 €
LT 18 W, water cooled, 320A-DC/230A-AC@100%, 4m	K10513-18-4	85.65 €
LT 18 W, water cooled, 320A-DC/230A-AC@100%, 8m	K10513-18-8	103.28 €
Remote controls :		
Control box, 1 potentiometer, 6 pins, 15m	K10095-1-15M	51.33 €
Foot amptrol, 6 pins, 7,6m	K870	198.58 €
Extension cable for remote control box, 6 pins, 15m	K10398	44.67 €
Accessories - Gas pressure regulator		
	Consult us	
Water cooler - COOLARC 20		
	K12031-1	544.29 €
Undercarriage - 2-wheeled cart delivered as a kit, for portable power sources		
	W0200002	141.76 €
Recommended Air-Cooled Package		1 369.00 €
Recommended Water-Cooled Package		1 922.94 €

Invertec® V405-TP

Input (V) : 400/3/50-60
Fuse size (A) : 30
Output range (A) : 5 - 400
Rated output : 400A/36V@35% • 300A/32V@100%
Processes : HF & Lift TIG DC, TIG pulse, Stick, Stick-cel., Gouge
Insulation/Protection class : IP23 / H
Weight (kg) : 31
Dimensions HxWxD (mm) : 500 x 270 x 610
Warranty : 2 years
Instruction manual : IM2006



Output



Input



Description

Invertec® V405 TP - CE

Includes : Input cable (2m), Gas connection kit.

ITEM NUMBER

K12027-1

Price

1 972.08 €

Options

Cable Kits :

400A - 70mm² - 5m with ground clamp & electrode holder (clamp)

KIT-400A-70-5M

70.77 €

400A - 70mm² - 5m with ground clamp & electrode holder (rotate)

KIT-400A-70-5M-R

101.54 €

Ground cable assemblies :

Clamp, Fast-mate, cable 400A - 70mm² - 5m

GRD-400A-70-5M

36.92 €

Clamp, Fast-mate, cable 400A - 70mm² - 10m

GRD-400A-70-10M

58.46 €

TIG torches :

LT 17 G, air cooled, 140A-DC/100A-AC@35%, 4m, ergonomic grip

K10513-17-4

70.91 €

LT 17 G, air cooled, 140A-DC/100A-AC@35%, 8m, ergonomic grip

K10513-17-8

88.74 €

LT 26 G, air cooled, 180A-DC/100A-AC@35%, 4m

K10513-26-4

76.00 €

LT 26 G, air cooled, 180A-DC/100A-AC@35%, 8m

K10513-26-8

99.94 €

LT 18 W, water cooled, 320A-DC/230A-AC@100%, 4m

K10513-18-4

85.65 €

LT 18 W, water cooled, 320A-DC/230A-AC@100%, 8m

K10513-18-8

103.28 €

Remote controls :

Control box, 1 potentiometer, 6 pins, 15m

K10095-1-15M

51.33 €

Foot amptrol, 6 pins, 7,6m

K870

198.58 €

Extension cable for remote control box, 6 pins, 15m

K10398

44.67 €

Accessories - Gas pressure regulator

Consult us

Water cooler - COOLARC 30

K12032-1

667.14 €

Undercarriage - Undercarriage for v310t ac/dc

K2694-1

140.29 €

Recommended Air-Cooled Package

2 118.85 €

Recommended Water-Cooled Package

2 935.93 €

Invertec® V205-T AC/DC

Input (V) : 115/230/1/50-60
Fuse size (A) : 32/16
Output range (A) : 6 - 200
Rated output : 200A18V@40% • 170A/16,8V@100%
Processes : HF & Lift TIG AC/DC, TIG pulse, Stick
Insulation/Protection class : IP23C / H
Weight (kg) : 18
Dimensions HxWxD (mm) : 380 x 210 x 480
Warranty : 2 years
Instruction manual : IM2006



Output



Input



Description	ITEM NUMBER	Price
Invertec® V205-T AC/DC - CE <i>Includes : Input cable (2m), Carrying strap, Gas connection kit.</i>	K1855-2	2 587.46 €
Options		
Cable Kits :		
200A - 25mm ² - 3m with ground clamp & electrode holder (clamp)	KIT-200A-25-3M	29.23 €
200A - 35mm ² - 5m with ground clamp & electrode holder (clamp)	KIT-200A-35-5M	43.08 €
Ground cable assemblies :		
Clamp, Fast-mate, cable 200A - 35mm ² - 5m	GRD-200A-35-5M	21.54 €
Clamp, Fast-mate, cable 200A - 35mm ² - 10m	GRD-200A-35-10M	33.85 €
TIG torches :		
LT 17 G, air cooled, 140A-DC/100A-AC@35%, 4m, ergonomic grip	K10513-17-4	70.91 €
LT 17 G, air cooled, 140A-DC/100A-AC@35%, 8m, ergonomic grip	K10513-17-8	88.74 €
LT 26 G, air cooled, 180A-DC/100A-AC@35%, 4m	K10513-26-4	76.00 €
LT 26 G, air cooled, 180A-DC/100A-AC@35%, 8m	K10513-26-8	99.94 €
LT 18 W, water cooled, 320A-DC/230A-AC@100%, 4m	K10513-18-4	85.65 €
LT 18 W, water cooled, 320A-DC/230A-AC@100%, 8m	K10513-18-8	103.28 €
Remote controls :		
Control box, 1 potentiometer, 6 pins, 15m	K10095-1-15M	51.33 €
Foot amptrol, 6 pins, 7,6m	K870	198.58 €
Extension cable for remote control box, 6 pins, 15m	K10398	44.67 €
Accessories - Gas pressure regulator		
	Consult us	
Water cooler - COOLARC 20		
	K12031-1	544.29 €
Undercarriage - 2-wheeled cart delivered as a kit, for portable power sources		
	W0200002	141.76 €
Recommended Air-Cooled Package		2 692.69 €
Recommended Water-Cooled Package		3 246.63 €

Invertec® V310-T AC/DC

Input (V) : 230/400/3/50-60
Fuse size (A) : 20
Output range (A) : 30 - 310
Rated output : 310A/32V@40%
Processes : HF & Lift TIG AC/DC, TIG pulse, Stick
Insulation/Protection class : IP23C / H
Weight (kg) : 33,8
Dimensions HxWxD (mm) : 610 x 270 x 435
Warranty : 2 years
Instruction manual : IM2006



Output



Input



Description

Invertec® V310 T AC/DC - CE
Includes : Input cable (2m), Gas connection kit.

ITEM NUMBER

K2228-2

Price

4 041.10 €

Options

Cable Kits - 300A - 50mm² - 5m with ground clamp & electrode holder (clamp)

KIT-300A-50-5M

56.92 €

Ground cable assemblies :

Clamp, Fast-mate, cable 300A - 50mm² - 5m
 Clamp, Fast-mate, cable 300A - 50mm² - 10m

GRD-300A-50-5M
 GRD-300A-50-10M

26.15 €
 43.08 €

TIG torches :

LT 17 G, air cooled, 140A-DC/100A-AC@35%, 4m, ergonomic grip
 LT 17 G, air cooled, 140A-DC/100A-AC@35%, 8m, ergonomic grip
 LT 26 G, air cooled, 180A-DC/100A-AC@35%, 4m
 LT 26 G, air cooled, 180A-DC/100A-AC@35%, 8m
 LT 18 W, water cooled, 320A-DC/230A-AC@100%, 4m
 LT 18 W, water cooled, 320A-DC/230A-AC@100%, 8m

K10513-17-4
 K10513-17-8
 K10513-26-4
 K10513-26-8
 K10513-18-4
 K10513-18-8

70.91 €
 88.74 €
 76.00 €
 99.94 €
 85.65 €
 103.28 €

Remote controls :

Control box, 1 potentiometer, 6 pins, 15m
 Foot amptrol, 6 pins, 7,6m
 Extension cable for remote control box, 6 pins, 15m

K10095-1-15M
 K870
 K10398

51.33 €
 198.58 €
 44.67 €

Accessories - Gas pressure regulator

Consult us

Water cooler - COOLARC 35

K2630-1

778.57 €

Undercarriage - Undercarriage for v310t ac/dc

K2694-1

140.29 €

Recommended Air-Cooled Package

4 174.02 €

Recommended Water-Cooled Package

5 102.53 €

Handy Core & Handy MIG

Input (V) : 230/1/50-60
Fuse size (A) : 16
Output range (A) : 45 - 80
Rated output : 70A/17,5V@20%
Processes : MIG, Innershield
Insulation/Protection class : IP21 / H
Weight (kg) : 16
Dimensions HxWxD (mm) : 345 x 220 x 455
Warranty : 3 years
Instruction manual : IM3000



Output



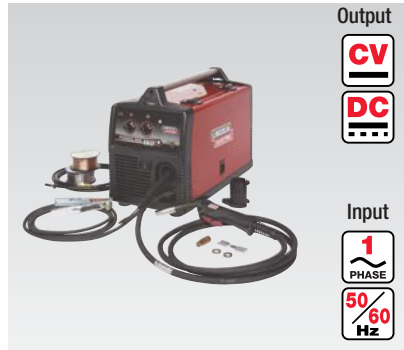
Input



Description	ITEM NUMBER	Price
Handy MIG - CE <i>Includes : Input cable, Gun, Drive rolls, 0,5kg Innershield wire coil, 0,5kg solid wire coil, Work clamp and cable assembly</i>	K14000-1	181.33 €
Handy Core - CE <i>Includes : Input cable, Gun, Drive rolls, 0,5kg Innershield wire coil, Work clamp and cable assembly</i>	K14001-1	170.67 €
Options		
MIG guns :		
For Handy Core	B10241-2	27.50 €
For Handy MIG	B10242-1	34.33 €
Accessories - Gas pressure regulator	Consult us	

Power MIG® 180C

Input (V) : 230/1/50-60
Fuse size (A) : 16
Output range (A) : 30 - 180
Rated output : 130A/20V@30%
Processes : MIG, Innershield
Insulation/Protection class : IP23 / H
Weight (kg) : 30
Dimensions HxWxD (mm) : 357 x 258 x 472
Warranty : 3 years
Instruction manual : IM890



Output



Input



Description

ITEM NUMBER

Price

■ Power MIG® 180C <i>Includes : Input cable, Gun, Drive roll kit, 0,5kg Innershield wire coil, Work clamp and cable assembly</i>	K2661-1	554.92 €
--	---------	----------

Options

MIG guns :

LG 150 GD - 3.0m	K10413-15DP-3M	57.31 €
LG 150 GD - 4.0m	K10413-15DP-4M	61.41 €
LG 150 GD - 5.0m	K10413-15DP-5M	69.24 €

Drive roll kits - Knurled drive roll (0.9-1.2 mm)

■ Accessories - Innershield kit (.035"-.045" / 0.9-1.2mm)	KP665-045C	12.74 €
	K10294-3	34.80 €

Recommended Package

589.72 €

Powertec® 161C / 191C / 231C / 271C

Input (V) : 230/1/50-60
Fuse size (A) : 16 / 20 / 25 / 32
Output range (A) : 30 - 150 / 30 - 180 / 35 - 220 / 35 - 255
Rated output : 150A/21,5V - 180A/23.0V - 220A/25.0V -
 255A/26.8V @20%

Processes : MIG, Innershield
Insulation/Protection class : IP23 / H
Weight (kg) : 53 / 70 / 80 / 83
Dimensions HxWxD (mm) : 615 x 390 x 825 / 765 x 427 x
 850

Warranty : 3 years
Instruction manual : IM3015



Output



Input



Description

Powertec® 161C - CE

Includes : Input cable, Gun, Drive roll kit - solid wire - 0.6-0.8mm, 0,5kg Innershield wire coil, Work clamp and cable assembly, Adaptor for 5kg (S200) spool

Powertec® 191C - CE

Includes : Input cable, Gun, Drive roll kit, 0,5kg Innershield wire coil, Work clamp and cable assembly

Powertec® 231C - CE

Includes : Input cable, Gun, Drive roll kit, 0,5kg Innershield wire coil, Work clamp and cable assembly

Powertec® 271C - CE

Includes : Input cable, Gun, Drive roll kit, 0,5kg Innershield wire coil, Work clamp and cable assembly

ITEM NUMBER

K14040-2

K14045-1

K14046-1

K14047-1

Price

383.75 €

480.00 €

548.57 €

558.57 €

Options

MIG guns :

LG 140 D - 2.5m - 140A 60%	K10413-14D	28.39 €
LG 150 G - 3.0m - 150A 60%	K10413-15-3M	36.36 €
LG 150 G - 4.0m - 150A 60%	K10413-15-4M	37.72 €
LG 240 G - 3.0m - 220A 60%	K10413-24-3M	53.47 €
LG 240 G - 4.0m - 220A 60%	K10413-24-4M	57.10 €
LG 250 G - 3.0m - 200A 60%	K10413-25-3M	47.97 €
LG 250 G - 4.0m - 200A 60%	K10413-25-4M	52.61 €
LG 260 G - 3.0m - 260A 60%	K10413-26-3M	54.75 €
LG 260 G - 4.0m - 260A 60%	K10413-26-4M	60.55 €

Drive roll kits :

2-roll - 0,6-0,8 mm - solid wire	KP14016-0.8	10.36 €
2-roll - 0,8-1,0 mm - solid wire	KP14016-1.0	8.73 €
2-roll - 1,0-1,2 mm - solid wire	KP14016-1.2	10.36 €
2-roll - 0,9-1,1 mm - flux-cored wire	KP14016-1.1R	6.91 €
2-roll - 1,0-1,2 mm - aluminium wire	KP14016-1.2A	10.55 €

Accessories :

Gas pressure regulator	Consult us	
Adaptor for 5kg (S200) spool	K14042-1	4.92 €
Meter V/A kit	K14044-1	50.31 €
CO ₂ heater connection kit	K14048-1	31.85 €

Powertec® 200C

Input (V) : K14003-3 : 230/400/3/50-60
K14003-2 : 400/3/50-60

Fuse size (A) : 25/16

Output range (A) : 25 - 200

Rated output : 200A/24V@35% • 150A/21,5V@60%

Processes : MIG

Insulation/Protection class : IP23 / F

Weight (kg) : 84

Dimensions HxWxD (mm) : 815 x 460 x 925

Warranty : 3 years

Instruction manual : IM3002



Description

Powertec® 200C - CE

Includes : Undercarriage, Input cable (4m), Work clamp and cable assembly, Drive rolls (0,8-1,0mm), Gas hose

ITEM NUMBER

K14003-3

Price

585.71 €

Powertec® 200C - CE

Includes : Undercarriage, Input cable (4m), Work clamp and cable assembly, Drive rolls (0,8-1,0mm), Gas hose

K14003-2

567.14 €

Options

MIG guns :

LG 150 G - 3.0m - 150A 60%

K10413-15-3M

36.36 €

LG 150 G - 4.0m - 150A 60%

K10413-15-4M

37.72 €

LG 250 G - 3.0m - 200A 60%

K10413-25-3M

47.97 €

LG 250 G - 4.0m - 200A 60%

K10413-25-4M

52.61 €

Other lengths of torches available. See pages MIG GUNS in "Accessories and expendables" section.

Drive roll kits :

2-roll - 0,6-0,8 mm - solid wire

KP14016-0.8

10.36 €

2-roll - 0,8-1,0 mm - solid wire

KP14016-1.0

8.73 €

Accessories - Gas pressure regulator

Consult us

Powertec® 250C

Input (V) : K14004-4 : 230/400/3/50-60
K14004-2 : 400/3/50-60

Fuse size (A) : 32/16

Output range (A) : 25 - 250

Rated output : 250A/26,5V@35% • 190A/23,5V@60%

Processes : MIG

Insulation/Protection class : IP23 / F

Weight (kg) : 94

Dimensions HxWxD (mm) : 815 x 460 x 925

Warranty : 3 years

Instruction manual : IM3002



Output



Input



Description	ITEM NUMBER	Price
<p>■ Powertec® 250C - CE <i>Includes</i> : Undercarriage, Input cable (4m), Work clamp and cable assembly, Drive rolls (0,8-1,0mm), Gas hose</p>	K14004-4	630.00 €
<p>■ Powertec® 250C - CE <i>Includes</i> : Undercarriage, Input cable (4m), Work clamp and cable assembly, Drive rolls (0,8-1,0mm), Gas hose</p>	K14004-2	612.86 €

Options

MIG guns :

■ LG 240 G - 3.0m - 220A 60%	K10413-24-3M	53.47 €
■ LG 240 G - 4.0m - 220A 60%	K10413-24-4M	57.10 €
■ LG 250 G - 3.0m - 200A 60%	K10413-25-3M	47.97 €
■ LG 250 G - 4.0m - 200A 60%	K10413-25-4M	52.61 €

Other lengths of torches available. See pages MIG GUNS in "Accessories and expendables" section.

Drive roll kits :

2-roll - 0,6-0,8 mm - solid wire	KP14016-0.8	10.36 €
2-roll - 0,8-1,0 mm - solid wire	KP14016-1.0	8.73 €

Accessories - Gas pressure regulator

Consult us

■ **Recommended Package** 687.10 €

■ **Recommended Package** 669.96 €

Powertec® 300C

Input (V) : K14005-6 : 230/400/3/50-60
K14004-5 : 400/3/50-60

Fuse size (A) : 40/25

Output range (A) : 25 - 300

Rated output : 300A/29V@35% • 225A/25,2V@60%

Processes : MIG

Insulation/Protection class : IP23 / F

Weight (kg) : 96

Dimensions HxWxD (mm) : 815 x 460 x 925

Warranty : 3 years

Instruction manual : IM3002



Output



Input



Description

ITEM NUMBER

Price

Powertec® 300C - CE <i>Includes : Undercarriage, Input cable (4m), Work clamp and cable assembly, Drive rolls (1,0-1,2mm), Gas hose</i>	K14005-6	672.86 €
Powertec® 300C - CE <i>Includes : Undercarriage, Input cable (4m), Work clamp and cable assembly, Drive rolls (1,0-1,2mm), Gas hose</i>	K14005-5	651.43 €
Powertec® 300C 4-Roll - CE <i>Includes : Undercarriage, Input cable (4m), Work clamp and cable assembly, Drive rolls (1,0-1,2mm), Gas hose</i>	K14005-7	758.57 €
Powertec® 300C 4-Roll - CE <i>Includes : Undercarriage, Input cable (4m), Work clamp and cable assembly, Drive rolls (1,0-1,2mm), Gas hose</i>	K14005-4	737.14 €

Options

MIG guns :

LG 240 G - 3.0m - 220A 60%	K10413-24-3M	53.47 €
LG 240 G - 4.0m - 220A 60%	K10413-24-4M	57.10 €
LG 260 G - 3.0m - 260A 60%	K10413-26-3M	54.75 €
LG 260 G - 4.0m - 260A 60%	K10413-26-4M	60.55 €
LG 360 G - 3.0m - 320A 60%	K10413-36-3M	67.32 €
LG 360 G - 4.0m - 320A 60%	K10413-36-4M	73.19 €

Other lengths of torches available. See pages MIG GUNS in "Accessories and expendables" section.

Drive roll kits :

2-roll - 0,6-0,8 mm - solid wire	KP14016-0.8	10.36 €
2-roll - 0,8-1,0 mm - solid wire	KP14016-1.0	8.73 €
4-roll - 0,6-0,8 mm - solid wire	KP10344-0.8	39.09 €
4-roll - 0,8-1,0 mm - solid wire	KP10344-1.0	39.09 €
4-roll - 1,0-1,2 mm - solid wire	KP10344-1.2	39.64 €
4-roll - 1,0-1,2 mm - aluminium wire	KP10344-1.2A	39.09 €

Accessories - Gas pressure regulator

Consult us

Recommended Package

733.41 €

Recommended Package

819.12 €

Powertec® 280C PRO

Input (V) : 230/400/3/50-60
Fuse size (A) : 32/20
Output range (A) : 30 - 280
Rated output : 280A/28V@40% • 230A/25,5V@60%
Processes : MIG, Flux-cored
Insulation/Protection class : IP23 / F
Weight (kg) : 142
Dimensions HxWxD (mm) : 910 x 565 x 1030
Warranty : 3 years
Instruction manual : IM3004



Output



Input



Description	ITEM NUMBER	Price
<p>■ Powertec® 280C PRO - CE <i>Includes : Undercarriage, Input cable (4m), Work clamp and cable assembly, Drive rolls (1,0-1,2mm), Gas hose</i></p>	K14013-1	1 168.57 €

Options

MIG guns :

LG 240 G - 3.0m - 220A 60%	K10413-24-3M	53.47 €
LG 240 G - 4.0m - 220A 60%	K10413-24-4M	57.10 €
■ LG 260 G - 3.0m - 260A 60%	K10413-26-3M	54.75 €
LG 260 G - 4.0m - 260A 60%	K10413-26-4M	60.55 €
LG 360 G - 3.0m - 320A 60%	K10413-36-3M	67.32 €
LG 360 G - 4.0m - 320A 60%	K10413-36-4M	73.19 €

Other lengths of torches available. See pages MIG GUNS in "Accessories and expendables" section.

Drive roll kits :

4-roll - 0,6-0,8 mm - solid wire	KP10344-0.8	39.09 €
4-roll - 0,8-1,0 mm - solid wire	KP10344-1.0	39.09 €
4-roll - 1,0-1,2 mm - solid wire	KP10344-1.2	39.64 €
4-roll - 1,0-1,2 mm - aluminium wire	KP10344-1.2A	39.09 €
4-roll - 1,0-1,6 mm - cored wire	KP10344-1.6C	39.09 €

Accessories - Gas pressure regulator

Consult us

■ Recommended Package	1 229.12 €
------------------------------	------------

Powertec® 350C PRO

Input (V) : 230/400/3/50-60
Fuse size (A) : 40/25
Output range (A) : 30 - 350
Rated output : 350A/31,5V@40% • 285A/28,2V@60%
Processes : MIG, Flux-cored
Insulation/Protection class : IP23 / F
Weight (kg) : 147
Dimensions HxWxD (mm) : 815 x 565 x 925
Warranty : 3 years
Instruction manual : IM3004



Description

ITEM NUMBER

Price

■ **Powertec® 350C PRO - CE** **K14014-1** **1 350.00 €**
Includes : Undercarriage, Input cable (4m), Work clamp and cable assembly, Drive rolls (1,0-1,2mm), Gas hose

Options

MIG guns :

LG 260 G - 3.0m - 260A 60%	K10413-26-3M	54.75 €
LG 260 G - 4.0m - 260A 60%	K10413-26-4M	60.55 €
LG 360 G - 3.0m - 320A 60%	K10413-36-3M	67.32 €
LG 360 G - 4.0m - 320A 60%	K10413-36-4M	73.19 €
LG 420 G - 3.0m - 380A 60%	K10413-42-3M	125.34 €
LG 420 G - 4.0m - 380A 60%	K10413-42-4M	131.14 €

Other lengths of torches available. See pages MIG GUNS in "Accessories and expendables" section.

Drive roll kits :

4-roll - 0,6-0,8 mm - solid wire	KP10344-0.8	39.09 €
4-roll - 0,8-1,0 mm - solid wire	KP10344-1.0	39.09 €
4-roll - 1,0-1,2 mm - solid wire	KP10344-1.2	39.64 €
4-roll - 1,0-1,2 mm - aluminium wire	KP10344-1.2A	39.09 €
4-roll - 1,2-1,6 mm - solid wire	KP10344-1.6	39.09 €
4-roll - 1,2-1,6 mm - aluminium wire	KP10344-1.6A	39.09 €
4-roll - 1,6-2,4 mm - cored wire - Knurled rolls	KP10344-2.4C	34.55 €

Accessories - Gas pressure regulator

Consult us

Recommended Package

1 423.19 €

Powertec® 420C PRO

Input (V) : 230/400/3/50-60
Fuse size (A) : 63/32
Output range (A) : 30 - 420
Rated output : 420A/35V@40% • 345A/31,3V@60%
Processes : MIG, Flux-cored
Insulation/Protection class : IP23 / F
Weight (kg) : 157
Dimensions HxWxD (mm) : 815 x 565 x 925
Warranty : 3 years
Instruction manual : IM3004



Output



Input



Description	ITEM NUMBER	Price
Powertec® 420C PRO - CE <i>Includes</i> : Undercarriage, Input cable (4m), Work clamp and cable assembly, Drive rolls (1,0-1,2mm), Gas hose	K14015-1A	1 508.57 €
Powertec® 420C PRO - CE - Water cooled <i>Includes</i> : Undercarriage, Input cable (4m), Work clamp and cable assembly, Drive rolls (1,0-1,2mm), Water cooler, Gas hose	K14015-1W	1 758.57 €

Options

MIG guns :

LG 360 G - 3.0m - 320A 60%	K10413-36-3M	67.32 €
LG 360 G - 4.0m - 320A 60%	K10413-36-4M	73.19 €
LG 420 G - 3.0m - 380A 60%	K10413-42-3M	125.34 €
LG 420 G - 4.0m - 380A 60%	K10413-42-4M	131.14 €
LG 410 W - 3.0m - 350A 100%	K10413-410-3M	121.48 €
LG 410 W - 4.0m - 350A 100%	K10413-410-4M	129.20 €

Other lengths of torches available. See pages MIG GUNS in "Accessories and expendables" section.

Drive roll kits :

4-roll - 0,6-0,8 mm - solid wire	KP10344-0.8	39.09 €
4-roll - 0,8-1,0 mm - solid wire	KP10344-1.0	39.09 €
4-roll - 1,0-1,2 mm - solid wire	KP10344-1.2	39.64 €
4-roll - 1,0-1,2 mm - aluminium wire	KP10344-1.2A	39.09 €
4-roll - 1,2-1,6 mm - solid wire	KP10344-1.6	39.09 €
4-roll - 1,2-1,6 mm - aluminium wire	KP10344-1.6A	39.09 €
4-roll - 1,0-1,6 mm - cored wire	KP10344-1.6C	39.09 €

Accessories - Gas pressure regulator

Consult us

Recommended Air-Cooled Package	1 639.71 €
Recommended Water-Cooled Package	1 887.77 €

All prices are exclusive of VAT and are subject to Lincoln Electric standard terms and conditions of sale.
 Due to constant improvements Lincoln Electric reserve the right to amend any of the above without notification.

LINCOLN
ELECTRIC

Powertec® 300S / LF-22 (LF-24 / LF-24PRO)

Input (V) : 230/400/3/50-60
Fuse size (A) : 40/25
Output range (A) : 30 - 300
Rated output : 300A/29V@35% • 225A/25,2V@60%
Processes : MIG, Flux-cored
Insulation/Protection class : IP23 / F
Weight (kg) : 96
Dimensions HxWxD (mm) : 790 x 460 x 925
Warranty : 3 years
Instruction manual : IM3005



Output



Input



Description

ITEM NUMBER

Price

■ Powertec® 300S power source - Air cooled - CE <i>Includes : Undercarriage, Input cable (5m), Work clamp and cable assembly</i>	K14020-1	630.00 €
■ LF-22 two-roll wire feeder - Air cooled - CE <i>Includes : Drive roll kit 1,0-1,2mm, Spindle and wire reel adapter, Undercarriage</i>	K14024-1	278.57 €
LF-24 four-roll wire feeder - Air/Water cooled - CE <i>Includes : Drive roll kit 1,0-1,2mm, Spindle and wire reel adapter, Undercarriage, Water connection kit</i>	K14025-1W	391.43 €

Options

Interconnection cables :

■ Fast-mate (x2), gas hose, protection, 2,5m - Air cooled	K10347-PG	88.33 €
Fast-mate (x2), gas hose, protection, 5m - Air cooled	K10347-PG-5M	121.67 €
Fast-mate (x2), gas hose, protection, 10m - Air cooled	K10347-PG-10M	191.67 €

Other lengths of interconnection cables available. See page of the wire feeder.

MIG guns :

■ LG 240 G - 3.0m - 220A 60%	K10413-24-3M	53.47 €
LG 240 G - 4.0m - 220A 60%	K10413-24-4M	57.10 €
LG 260 G - 3.0m - 260A 60%	K10413-26-3M	54.75 €
■ LG 260 G - 4.0m - 260A 60%	K10413-26-4M	60.55 €
LG 360 G - 3.0m - 320A 60%	K10413-36-3M	67.32 €
LG 360 G - 4.0m - 320A 60%	K10413-36-4M	73.19 €

Other lengths of torches available. See pages MIG GUNS in "Accessories and expendables" section.

Accessories - Gas pressure regulator

Consult us

Other accessories available (drive roll kits, options...). See page of wire feeder

Recommended Package

1 090.79 €

Powertec® 360S / LF-24 (LF-22 / LF-24PRO)

Input (V) : 230/400/3/50-60
Fuse size (A) : 40/25
Output range (A) : 30 - 350
Rated output : 350A/31,5V@35% • 285A/28,2V@60%
Processes : MIG, Flux-cored
Insulation/Protection class : IP23 / F
Weight (kg) : 145
Dimensions HxWxD (mm) : 870 x 565 x 1030
Warranty : 3 years
Instruction manual : IM3005



Output



Input



Description	ITEM NUMBER	Price
Powertec® 360S power source - Air cooled - CE <i>Includes : Undercarriage, Input cable (5m), Work clamp and cable assembly</i>	K14021-1A	980.00 €
Powertec® 360S power source - Water cooled - CE <i>Includes : Undercarriage, Water cooler, Input cable (5m), Work clamp and cable assembly.</i>	K14021-1W	1 201.43 €
LF-22 two-roll wire feeder - Air cooled - CE <i>Includes : Drive roll kit 1,0-1,2mm, Spindle and wire reel adapter, Undercarriage</i>	K14024-1	278.57 €
LF-24 four-roll wire feeder - Air/Water cooled - CE <i>Includes : Drive roll kit 1,0-1,2mm, Spindle and wire reel adapter, Undercarriage, Water connection kit</i>	K14025-1W	391.43 €
LF-24 PRO four-roll wire feeder - Air/Water cooled - CE <i>Includes : Drive roll kit 1,0-1,2mm, Spindle and wire reel adapter, Undercarriage, Water connection kit</i>	K14026-1W	487.14 €

Options

Interconnection cables :

Fast-mate (x2), gas hose, protection, 2,5m - Air cooled	K10347-PG	88.33 €
Fast-mate (x2), gas hose, protection, 5m - Air cooled	K10347-PG-5M	121.67 €
Fast-mate (x2), gas hose, protection, 10m - Air cooled	K10347-PG-10M	191.67 €
Fast-mate (x2), gas hose, protection, 2,5m - Water cooled	K10347-PGW	101.67 €
Fast-mate (x2), gas hose, protection, 5m - Water cooled	K10347-PGW-5M	138.33 €
Fast-mate (x2), gas hose, protection, 10m - Water cooled	K10347-PGW-10M	210.00 €

Other lengths of interconnection cables available. See page of the wire feeder.

MIG guns :

LG 260 G - 3.0m - 260A 60%	K10413-26-3M	54.75 €
LG 260 G - 4.0m - 260A 60%	K10413-26-4M	60.55 €
LG 360 G - 3.0m - 320A 60%	K10413-36-3M	67.32 €
LG 360 G - 4.0m - 320A 60%	K10413-36-4M	73.19 €
LG 420 G - 3.0m - 380A 60%	K10413-42-3M	125.34 €
LG 420 G - 4.0m - 380A 60%	K10413-42-4M	131.14 €
LG 410 W - 3.0m - 350A 100%	K10413-410-3M	121.48 €
LG 410 W - 4.0m - 350A 100%	K10413-410-4M	129.20 €

Other lengths of torches available. See pages MIG GUNS in "Accessories and expendables" section.

Accessories - Gas pressure regulator

Consult us

Other accessories available (drive roll kits, options...). See page of wire feeder

Recommended Air-Cooled Package	1 566.29 €
Recommended Water-Cooled Package	1 860.39 €

Powertec® 420S / LF-24 PRO (LF-22 / LF-24)

Input (V) : 230/400/3/50-60
Fuse size (A) : 63/32
Output range (A) : 30 - 420
Rated output : 420A/35V@35% • 345A/31,3V@60%
Processes : MIG, Flux-cored
Insulation/Protection class : IP23 / F
Weight (kg) : 155
Dimensions HxWxD (mm) : 870 x 565 x 1030
Warranty : 3 years
Instruction manual : IM3005



Output



Input



Description

ITEM NUMBER

Price

■ Powertec® 420S power source - Air cooled - CE <i>Includes : Undercarriage, Input cable (5m), Work clamp and cable assembly</i>	K14022-1A	1 134.29 €
■ Powertec® 420 S power source - Water cooled - CE <i>Includes : Undercarriage, Water cooler, Input cable (5m), Work clamp and cable assembly.</i>	K14022-1W	1 351.43 €
■ LF-22 two-roll wire feeder - Air cooled - CE <i>Includes : Drive roll kit 1,0-1,2mm, Spindle and wire reel adapter, Undercarriage</i>	K14024-1	278.57 €
■ LF-24 four-roll wire feeder - Air/Water cooled - CE <i>Includes : Drive roll kit 1,0-1,2mm, Spindle and wire reel adapter, Undercarriage, Water connection kit</i>	K14025-1W	391.43 €
■ LF-24 PRO four-roll wire feeder - Air/Water cooled - CE <i>Includes : Drive roll kit 1,0-1,2mm, Spindle and wire reel adapter, Undercarriage, Water connection kit</i>	K14026-1W	487.14 €

Options

Interconnection cables :

■ Fast-mate (x2), gas hose, protection, 2,5m - Air cooled	K10347-PG	88.33 €
■ Fast-mate (x2), gas hose, protection, 5m - Air cooled	K10347-PG-5M	121.67 €
■ Fast-mate (x2), gas hose, protection, 10m - Air cooled	K10347-PG-10M	191.67 €
■ Fast-mate (x2), gas hose, protection, 2,5m - Water cooled	K10347-PGW	101.67 €
■ Fast-mate (x2), gas hose, protection, 5m - Water cooled	K10347-PGW-5M	138.33 €
■ Fast-mate (x2), gas hose, protection, 10m - Water cooled	K10347-PGW-10M	210.00 €

Other lengths of interconnection cables available. See page of the wire feeder.

MIG guns :

■ LG 360 G - 3.0m - 320A 60%	K10413-36-3M	67.32 €
■ LG 360 G - 4.0m - 320A 60%	K10413-36-4M	73.19 €
■ LG 420 G - 3.0m - 380A 60%	K10413-42-3M	125.34 €
■ LG 420 G - 4.0m - 380A 60%	K10413-42-4M	131.14 €
■ LG 410 W - 3.0m - 350A 100%	K10413-410-3M	121.48 €
■ LG 410 W - 4.0m - 350A 100%	K10413-410-4M	129.20 €

Other lengths of torches available. See pages MIG GUNS in "Accessories and expendables" section.

Accessories - Gas pressure regulator

Consult us

Other accessories available (drive roll kits, options...). See page of wire feeder

■ **Recommended Air-Cooled Package** 1 874.24 €

■ **Recommended Water-Cooled Package** 2 106.10 €

Powertec® 500S / LF-24 PRO (LF-22 / LF-24)

Input (V) : 230/400/3/50-60
Fuse size (A) : 63/40
Output range (A) : 30 - 500
Rated output : 500A/39V@35% • 400A/34V@60%
Processes : MIG, Flux-cored
Insulation/Protection class : IP23 / F
Weight (kg) : 165
Dimensions HxWxD (mm) : 870 x 565 x 1030
Warranty : 3 years
Instruction manual : IM3005



Output



Input



Description	ITEM NUMBER	Price
Powertec® 500S power source - Air cooled - CE <i>Includes : Undercarriage, Input cable (5m), Work clamp and cable assembly</i>	K14023-1A	1 175.71 €
Powertec® 500S power source - Water cooled - CE <i>Includes : Undercarriage, Water cooler, Input cable (5m), Work clamp and cable assembly.</i>	K14023-1W	1 391.43 €
LF-22 two-roll wire feeder - Air cooled - CE <i>Includes : Drive roll kit 1,0-1,2mm, Spindle and wire reel adapter, Undercarriage</i>	K14024-1	278.57 €
LF-24 four-roll wire feeder - Air/Water cooled - CE <i>Includes : Drive roll kit 1,0-1,2mm, Spindle and wire reel adapter, Undercarriage, Water connection kit</i>	K14025-1W	391.43 €
LF-24 PRO four-roll wire feeder - Air/Water cooled - CE <i>Includes : Drive roll kit 1,0-1,2mm, Spindle and wire reel adapter, Undercarriage, Water connection kit</i>	K14026-1W	487.14 €

Options

Interconnection cables :

Fast-mate (x2), gas hose, protection, 2,5m - Air cooled	K10347-PG	88.33 €
Fast-mate (x2), gas hose, protection, 5m - Air cooled	K10347-PG-5M	121.67 €
Fast-mate (x2), gas hose, protection, 10m - Air cooled	K10347-PG-10M	191.67 €
Fast-mate (x2), gas hose, protection, 2,5m - Water cooled	K10347-PGW	101.67 €
Fast-mate (x2), gas hose, protection, 5m - Water cooled	K10347-PGW-5M	138.33 €
Fast-mate (x2), gas hose, protection, 10m - Water cooled	K10347-PGW-10M	210.00 €

Other lengths of interconnection cables available. See page of the wire feeder.

MIG guns :

LG 360 G - 3.0m - 320A 60%	K10413-36-3M	67.32 €
LG 360 G - 4.0m - 320A 60%	K10413-36-4M	73.19 €
LG 420 G - 3.0m - 380A 60%	K10413-42-3M	125.34 €
LG 420 G - 4.0m - 380A 60%	K10413-42-4M	131.14 €
LG 410 W - 3.0m - 350A 100%	K10413-410-3M	121.48 €
LG 410 W - 4.0m - 350A 100%	K10413-410-4M	129.20 €
LG 500 W - 3.0m - 450A 100%	K10413-500-3M	121.48 €
LG 500 W - 4.0m - 450A 100%	K10413-500-4M	129.20 €

Other lengths of torches available. See pages MIG GUNS in "Accessories and expendables" section.

Accessories - Gas pressure regulator

Consult us

Other accessories available (drive roll kits, options...). See page of wire feeder

Recommended Air-Cooled Package	1 915.66 €
Recommended Water-Cooled Package	2 146.10 €

CV 420 / LF-33

Input (V) : 230/400/3/50-60
Fuse size (A) : 63/32
Output range (A) : 30 - 420
Rated output : 420A/35V@60% • 320A/30V@100%
Processes : MIG, Flux-cored
Insulation/Protection class : IP23 / F
Weight (kg) : 134/155
Dimensions HxWxD (mm) : 870 x 700 x 1030
Warranty : 3 years
Instruction manual : IM3007



Output



Input



Description

ITEM NUMBER

Price

■	CV-420 power source - Air cooled - CE <i>Includes : Undercarriage, Input cable (5m), Work clamp and cable assembly</i>	K14028-1A	1 194.29 €
■	CV-420 power source - Water cooled - CE <i>Includes : Undercarriage, Water cooler, Input cable (5m), Work clamp and cable assembly.</i>	K14028-1W	1 402.86 €
■	LF-33 four-roll wire feeder - Air/Water - CE <i>Includes : Drive roll kit 1,0-1,2mm, Undercarriage, Water connection kit</i>	K14030-1W	502.86 €

Options

Interconnection cables :

■	Fast-mate (x2), gas hose, protection, 2,5m - Air cooled	K10347-PG	88.33 €
■	Fast-mate (x2), gas hose, protection, 5m - Air cooled	K10347-PG-5M	121.67 €
■	Fast-mate (x2), gas hose, protection, 10m - Air cooled	K10347-PG-10M	191.67 €
■	Fast-mate (x2), gas hose, protection, 2,5m - Water cooled	K10347-PGW	101.67 €
■	Fast-mate (x2), gas hose, protection, 5m - Water cooled	K10347-PGW-5M	138.33 €
■	Fast-mate (x2), gas hose, protection, 10m - Water cooled	K10347-PGW-10M	210.00 €

Other lengths of interconnection cables available. See page of the wire feeder.

MIG guns :

■	LG 360 G - 3.0m - 320A 60%	K10413-36-3M	67.32 €
■	LG 360 G - 4.0m - 320A 60%	K10413-36-4M	73.19 €
■	LG 420 G - 3.0m - 380A 60%	K10413-42-3M	125.34 €
■	LG 420 G - 4.0m - 380A 60%	K10413-42-4M	131.14 €
■	LG 410 W - 3.0m - 350A 100%	K10413-410-3M	121.48 €
■	LG 410 W - 4.0m - 350A 100%	K10413-410-4M	129.20 €

Other lengths of torches available. See pages MIG GUNS in "Accessories and expendables" section.

Accessories - Gas pressure regulator

Consult us

Other accessories available (drive roll kits, options...). See page of wire feeder

■ **Recommended Air-Cooled Package** 1 949.96 €

■ **Recommended Water-Cooled Package** 2 173.25 €

CV 505 / LF-33

Input (V) : 230/400/3/50-60
Fuse size (A) : 63/40
Output range (A) : 40 - 500
Rated output : 500A/36,5V@60% • 385A/40V@100%
Processes : MIG, Flux-cored
Insulation/Protection class : IP23 / F
Weight (kg) : 149/170
Dimensions HxWxD (mm) : 870 x 700 x 1030
Warranty : 3 years
Instruction manual : IM3007



Output



Input



Description	ITEM NUMBER	Price
<p>■ CV-505 power source - Air cooled - CE <i>Includes : Undercarriage, Input cable (5m), Work clamp and cable assembly</i></p>	K14029-1A	1 335.71 €
<p>■ CV-505 power source - Water cooled - CE <i>Includes : Undercarriage, Water cooler, Input cable (5m), Work clamp and cable assembly.</i></p>	K14029-1W	1 602.86 €
<p>■ LF-33 four-roll wire feeder - Air/Water - CE <i>Includes : Drive roll kit 1,0-1,2mm, Undercarriage, Water connection kit</i></p>	K14030-1W	502.86 €

Options

Interconnection cables :

■ Fast-mate (x2), gas hose, protection, 2,5m - Air cooled	K10347-PG	88.33 €
■ Fast-mate (x2), gas hose, protection, 5m - Air cooled	K10347-PG-5M	121.67 €
■ Fast-mate (x2), gas hose, protection, 10m - Air cooled	K10347-PG-10M	191.67 €
■ Fast-mate (x2), gas hose, protection, 2,5m - Water cooled	K10347-PGW	101.67 €
■ Fast-mate (x2), gas hose, protection, 5m - Water cooled	K10347-PGW-5M	138.33 €
■ Fast-mate (x2), gas hose, protection, 10m - Water cooled	K10347-PGW-10M	210.00 €

Other lengths of interconnection cables available. See page of the wire feeder.

MIG guns :

■ LG 360 G - 3.0m - 320A 60%	K10413-36-3M	67.32 €
■ LG 360 G - 4.0m - 320A 60%	K10413-36-4M	73.19 €
■ LG 420 G - 3.0m - 380A 60%	K10413-42-3M	125.34 €
■ LG 420 G - 4.0m - 380A 60%	K10413-42-4M	131.14 €
■ LG 410 W - 3.0m - 350A 100%	K10413-410-3M	121.48 €
■ LG 410 W - 4.0m - 350A 100%	K10413-410-4M	129.20 €
■ LG 500 W - 3.0m - 450A 100%	K10413-500-3M	121.48 €
■ LG 500 W - 4.0m - 450A 100%	K10413-500-4M	129.20 €

Other lengths of torches available. See pages MIG GUNS in "Accessories and expendables" section.

Accessories - Gas pressure regulator

Consult us

Other accessories available (drive roll kits, options...). See page of wire feeder

■ Recommended Air-Cooled Package	2 091.38 €
■ Recommended Water-Cooled Package	2 373.25 €

V350-PRO / LF-37 & LF-38

Input (V) : 200/220/380/415/440/1/3/50-60

Output range (A) : 5 - 425

Rated output : 350A/34V@60% (3 ph) • 320A/33V@60% (1 ph)

Processes : Stick, Lift TIG, MIG, Gouge

Insulation/Protection class : IP23 / S

Weight (kg) : 38

Dimensions HxWxD (mm) : 376 x 338 x 709

Warranty : 3 years

Instruction manual : IM708



Description

ITEM NUMBER

Price

■	V350-Pro - CE <i>Includes : Input cable (3m)</i>	K1728-12	2 579.91 €
■	LF-37 four-roll wire feeder - Air/Water cooled - CE <i>Includes : Drive roll kit 1,0-1,2mm, Water connection kit</i>	K10406	765.71 €
■	LF-38 four-roll wire feeder - Air/Water cooled - CE <i>Includes : Drive roll kit 1,0-1,2mm, Water connection kit</i>	K10407	771.43 €

Options

Ground cable assemblies :

■	Clamp, Fast-mate, cable 400A - 70mm ² - 5m	GRD-400A-70-5M	36.92 €
■	Clamp, Fast-mate, cable 400A - 70mm ² - 10m	GRD-400A-70-10M	58.46 €

Interconnection cables :

■	Fast-mate (x2), gas hose, protection, 2,5m - Air cooled	K10347-PG	88.33 €
■	Fast-mate (x2), gas hose, protection, 5m - Air cooled	K10347-PG-5M	121.67 €
■	Fast-mate (x2), gas hose, protection, 10m - Air cooled	K10347-PG-10M	191.67 €

Other lengths of interconnection cables available. See page of the wire feeder.

MIG guns :

■	LG 360 G - 3.0m - 320A 60%	K10413-36-3M	67.32 €
■	LG 360 G - 4.0m - 320A 60%	K10413-36-4M	73.19 €
■	LG 420 G - 3.0m - 380A 60%	K10413-42-3M	125.34 €
■	LG 420 G - 4.0m - 380A 60%	K10413-42-4M	131.14 €

Other lengths of torches available. See pages MIG GUNS in "Accessories and expendables" section.

Accessories - Gas pressure regulator

Consult us

Other accessories available (drive roll kits, options...). See page of wire feeder

■	Undercarriage - 4-wheeled (low) undercarriage with gas cylinder platform (2 cylinders)	K10262-3	147.29 €
---	--	----------	----------

■ **Recommended Package** 3 577.40 €

■ **Recommended Package** 3 583.12 €

DC 400

Input (V) : 230/400/3/50-60
Fuse size (A) : 78/39
Output range (A) : 60-500
Rated output : 450A/38V@60% • 400A/36V@100%
Processes : MIG, Flux-cored, Stick, TIG, Submerged arc, Gouge
Insulation/Protection class : IP23 / F
Weight (kg) : 215
Dimensions HxWxD (mm) : 782 x 566 x 840
Warranty : 3 years
Instruction manual : IM474



Output



Input



Description	ITEM NUMBER	Price
■ DC-400 - CE	K1309-17	3 535.49 €
Options		
Cable Kits :		
400A - 70mm ² - 5m with ground clamp & electrode holder (clamp)	KIT-400A-70-5M	70.77 €
400A - 70mm ² - 5m with ground clamp & electrode holder (rotate)	KIT-400A-70-5M-R	101.54 €
Ground cable assemblies :		
■ Clamp, Fast-mate, cable 400A - 70mm ² - 5m	GRD-400A-70-5M	36.92 €
Clamp, Fast-mate, cable 400A - 70mm ² - 10m	GRD-400A-70-10M	58.46 €
Cables :		
Extension cable, Fast-mate [®] - 70mm ² - 10m (max. 30m@400A - 50m@300A)	EXT-70-10M	53.85 €
Lug, Fast-mate - 95mm ² - 600A - 5m (air-arc gouge torch)	N/B-600A-95-5M	66.15 €
Lug, Fast-mate - 95mm ² - 600A - 10m (air-arc gouge torch)	N/B-600A-95-10M	149.23 €
Terminal / twist-mate adapter (2 pieces necessary)	K10376	9.23 €
Air arc gouge torches - Model K3000 (600A max)	K10103	240.00 €
Input cables :		
■ 4x10mm ² - 5 m	K10238-10-5M	30.77 €
■ Strain relief for input cable	T50212-2	4.25 €
Remote controls :		
Control box, 1 potentiometer, 6 pins, 15m	K10095-1-15M	51.33 €
Control box, 2 potentiometers (fine adjustment), 6 pins, 15m	K10124-1-15M	64.83 €
Extension cable for remote control box, 6 pins, 15m	K10398	44.67 €
Adaptator cable for remote control box, 14pins / 6pins	K10399	33.67 €
Accessories - Multi process switch (add 2xK10378 and 4xK10376)	K804-1	399.89 €
Undercarriage :		
4-wheeled undercarriage with gas cylinder platform (2 cylinders)	K841	351.10 €
3-wheeled undercarriage	K10019	460.00 €
■ Recommended Package		3 607.43 €

STT II / LF-33 & LF-37

Input (V) : 200/220/380/400/440/3/50-60
Fuse size (A) : 17
Output range (A) : 5 - 450 (peak) ; 5 - 125 (background)
Rated output : 225A/29V@60% • 200A/28V@100%
Processes : MIG STT
Insulation/Protection class : IP23 / H
Weight (kg) : 115
Dimensions HxWxD (mm) : 1000 x 700 x 1000
Warranty : 3 years
Instruction manual : IM582



Output



Input



Description	ITEM NUMBER	Price
STT II power source - Air cooled - CE <i>Includes : Undercarriage, Input cable (5m), Work clamp and cable assembly.</i>	PSTT2-1-A	3 645.71 €
STT II power source - Air cooled - CE	K1527-3	2 952.99 €
LF-33 four-roll wire feeder - Air/Water - CE <i>Includes : Drive roll kit 1,0-1,2mm, Undercarriage, Water connection kit</i>	K14030-1W	502.86 €
LF-37 four-roll wire feeder - Air/Water cooled - CE <i>Includes : Drive roll kit 1,0-1,2mm, Water connection kit</i>	K10406	765.71 €
Options		
Interconnection cables :		
Fast-mate (x2), gas hose, protection, 2,5m - Air cooled (STT)	K10370-PG	91.67 €
Fast-mate (x2), gas hose, protection, 5m - Air cooled (STT)	K10370-PG-5M	121.67 €
Fast-mate (x2), gas hose, protection, 10m - Air cooled (STT)	K10370-PG-10M	178.33 €
Other lengths of interconnection cables available. See page of the wire feeder.		
MIG guns :		
LG 150 G - 3.0m - 150A 60%	K10413-15-3M	36.36 €
LG 150 G - 4.0m - 150A 60%	K10413-15-4M	37.72 €
LG 240 G - 3.0m - 220A 60%	K10413-24-3M	53.47 €
LG 240 G - 4.0m - 220A 60%	K10413-24-4M	57.10 €
LG 250 G - 3.0m - 200A 60%	K10413-25-3M	47.97 €
LG 250 G - 4.0m - 200A 60%	K10413-25-4M	52.61 €
Other lengths of torches available. See pages MIG GUNS in "Accessories and expendables" section.		
Accessories - Gas pressure regulator	Consult us	
Other accessories available (drive roll kits, options...). See page of wire feeder		
Recommended Package		4 322.85 €
Recommended Package		4 585.70 €

Power Wave® 345M C

Input (V) : 230/400/3/50-60
Fuse size (A) : 32
Output range (A) : 5 - 350
Rated output : 300A/32V@60% • 230A/29V@100%
Processes : Pulse MIG, Pulse-on-Pulse, CV Synergic, MIG, Flux-cored, Stick, Lift TIG DC
Insulation/Protection class : IP23S / H
Weight (kg) : 135
Dimensions HxWxD (mm) : 870 x 680 x 1060
Warranty : 3 years
Instruction manual : IM1054



Output



Input



Description

Power Wave® 345M C - Air cooled - CE

Includes : Input cable (5m), Work clamp and cable assembly, undercarriage, drive roll kit (4 rolls) 1.2 mm solid wire.

ITEM NUMBER

K10355-2A

Price

3 539.26 €

Power Wave® 345M C - Water cooled - CE

Includes : Input cable (5m), Work clamp and cable assembly, undercarriage, drive roll kit (4 rolls) 1.2 mm solid wire, water cooler, Push-pull kit

K10358-2W

3 995.10 €

Options

MIG guns :

LG 260 G - 3.0m - 260A 60%	K10413-26-3M	54.75 €
LG 260 G - 4.0m - 260A 60%	K10413-26-4M	60.55 €
LG 360 G - 3.0m - 320A 60%	K10413-36-3M	67.32 €
LG 360 G - 4.0m - 320A 60%	K10413-36-4M	73.19 €
LG 420 G - 3.0m - 380A 60%	K10413-42-3M	125.34 €
LG 420 G - 4.0m - 380A 60%	K10413-42-4M	131.14 €
LG 410 W - 3.0m - 350A 100%	K10413-410-3M	121.48 €
LG 410 W - 4.0m - 350A 100%	K10413-410-4M	129.20 €
LG S2F Alu - 4,0m - 400A water cooled	K10413-ALU-4M	238.31 €

Other lengths of torches available. See pages MIG GUNS in "Accessories and expendables" section.

Push-pull guns :

LG PPA 300 - 8,0m - Swan neck - Standard	K10413-PPA	967.17 €
LG PPA 300 - 8,0m - Swan neck - with remote ctrl	K10413-PPAR	1 059.28 €
LG PPW 400 - 8,0m - Swan neck - standard	K10413-PPW	967.17 €
LG PPW 400 - 8,0m - Swan neck - with remote ctrl	K10413-PPWR	1 059.28 €

Remote controls - Control box, 2 encoders, 6 pins, 5m

K10353-2

71.17 €

Drive roll kits :

4-roll - 0,6-0,8 mm - solid wire	KP10344-0.8	39.09 €
4-roll - 0,8-1,0 mm - solid wire	KP10344-1.0	39.09 €
4-roll - 1,0-1,2 mm - solid wire	KP10344-1.2	39.64 €
4-roll - 1,0-1,2 mm - aluminium wire	KP10344-1.2A	39.09 €
4-roll - 1,2-1,6 mm - solid wire	KP10344-1.6	39.09 €
4-roll - 1,2-1,6 mm - aluminium wire	KP10344-1.6A	39.09 €
4-roll - 1,0-1,6 mm - cored wire	KP10344-1.6C	39.09 €
2-pinion kit for KP10344, configuration 4 roll drive	K10363-1	55.82 €

Accessories :

Adaptor Euroconnector / TIG connection	K10392	115.38 €
Gas pressure regulator	Consult us	

Recommended Air-Cooled Package

3 612.45 €

Recommended Water-Cooled Package

4 124.30 €

All prices are exclusive of VAT and are subject to Lincoln Electric standard terms and conditions of sale.
 Due to constant improvements Lincoln Electric reserve the right to amend any of the above without notification.

LINCOLN
ELECTRIC

Power Wave® 405M / LF-40

Input (V) : 230/400/3/50-60
Fuse size (A) : 25
Output range (A) : 5 - 425
Rated output : 400A/36V@35% • 350A/34V@60%
Processes : Pulse MIG, Pulse-on-Pulse, MIG, Flux-cored, Stick, Lift TIG DC
Insulation/Protection class : IP23S / H
Weight (kg) : 53
Dimensions HxWxD (mm) : 700 x 700 x 1000
Warranty : 3 years
Instruction manual : IM1052



Output



Input



Description	ITEM NUMBER	Price
Power Wave® 405M power source - Air cooled- CE <i>Includes : Undercarriage, Input cable (5m), Work clamp and cable assembly.</i>	K10372-2-A	3 245.71 €
Power Wave® 405M power source - Water cooled- CE <i>Includes : Undercarriage, Water cooler, Input cable (5m), Work clamp and cable assembly.</i>	K10372-2-W	3 457.14 €
Power Wave® 405M power source - CE <i>Includes : Input cable (5m)</i>	K2369-2	2 611.33 €
LF-40 four-roll wire feeder w/ Push-Pull kit - Air/Water cooled - CE <i>Includes : Drive roll kit 1, 0-1,2mm, Spindle and wire reel adapter, Water connection kit</i>	K10340-40-5-W	945.71 €

Options

Interconnection cables :

Fast-mate (x2), gas hose, protection, 2,5m - Air cooled	K10348-PG	106.67 €
Fast-mate (x2), gas hose, protection, 5m - Air cooled	K10348-PG-5M	140.00 €
Fast-mate (x2), gas hose, protection, 10m - Air cooled	K10348-PG-10M	226.67 €
Fast-mate (x2), gas hose, protection, 2,5m - Water cooled	K10348-PGW	123.33 €
Fast-mate (x2), gas hose, protection, 5m - Water cooled	K10348-PGW-5M	158.33 €
Fast-mate (x2), gas hose, protection, 10m - Water cooled	K10348-PGW-10M	260.00 €

Other lengths of interconnection cables available. See page of the wire feeder.

MIG guns :

LG 360 G - 3.0m - 320A 60%	K10413-36-3M	67.32 €
LG 360 G - 4.0m - 320A 60%	K10413-36-4M	73.19 €
LG 420 G - 3.0m - 380A 60%	K10413-42-3M	125.34 €
LG 420 G - 4.0m - 380A 60%	K10413-42-4M	131.14 €
LG 410 W - 3.0m - 350A 100%	K10413-410-3M	121.48 €
LG 410 W - 4.0m - 350A 100%	K10413-410-4M	129.20 €
LG 500 W - 3.0m - 450A 100%	K10413-500-3M	121.48 €
LG 500 W - 4.0m - 450A 100%	K10413-500-4M	129.20 €
LG S2F Alu - 4,0m - 400A water cooled	K10413-ALU-4M	238.31 €

Other lengths of torches available. See pages MIG GUNS in "Accessories and expendables" section.

Push-pull guns :

LG PPA 300 - 8,0m - Swan neck - Standard	K10413-PPA	967.17 €
LG PPA 300 - 8,0m - Swan neck - with remote ctrl	K10413-PPAR	1 059.28 €
LG PPW 400 - 8,0m - Swan neck - standard	K10413-PPW	967.17 €
LG PPW 400 - 8,0m - Swan neck - with remote ctrl	K10413-PPWR	1 059.28 €

Accessories - Gas pressure regulator

Consult us

Other accessories available (drive roll kits, options...). See page of wire feeder

Recommended Air-Cooled Package 4 462.56 €

Recommended Water-Cooled Package 4 690.38 €

Power Wave® 455M / LF-40

Input (V) : 380/415/3/50-60
Fuse size (A) : 44
Output range (A) : 5 - 500
Rated output : 500A/40V@60% • 400A/36V@100%
Processes : Pulse MIG, Pulse-on-Pulse, MIG, Flux-cored, Stick, Lift TIG DC
Insulation/Protection class : IP23 / H
Weight (kg) : 114
Dimensions HxWxD (mm) : 663 x 505 x 835
Warranty : 3 years
Instruction manual : IM1095



Output



Input



Description

ITEM NUMBER

Price

■ Power Wave® 455M power source - CE <i>Includes : Undercarriage, Water cooler, Input cable, Work clamp and cable assembly.</i>	K2458-2	6 226.21 €
■ LF-40 four-roll wire feeder w/ Push-Pull kit - Air/Water cooled - CE <i>Includes : Drive roll kit 1,0-1,2mm, Spindle and wire reel adapter, Water connection kit</i>	K10340-40-5-W	945.71 €

Options

Interconnection cables :

■ Fast-mate (x2), gas hose, protection, 2,5m - Water cooled	K10348-PGW	123.33 €
Fast-mate (x2), gas hose, protection, 5m - Water cooled	K10348-PGW-5M	158.33 €
Fast-mate (x2), gas hose, protection, 10m - Water cooled	K10348-PGW-10M	260.00 €

Other lengths of interconnection cables available. See page of the wire feeder.

MIG guns :

■ LG 410 W - 3.0m - 350A 100%	K10413-410-3M	121.48 €
LG 410 W - 4.0m - 350A 100%	K10413-410-4M	129.20 €
LG 500 W - 3.0m - 450A 100%	K10413-500-3M	121.48 €
■ LG 500 W - 4.0m - 450A 100%	K10413-500-4M	129.20 €
LG S2F Alu - 4,0m - 400A water cooled	K10413-ALU-4M	238.31 €

Other lengths of torches available. See pages MIG GUNS in "Accessories and expendables" section.

Push-pull guns :

■ LG PPA 300 - 8,0m - Swan neck - Standard	K10413-PPA	967.17 €
LG PPA 300 - 8,0m - Swan neck - with remote ctrl	K10413-PPAR	1 059.28 €
LG PPW 400 - 8,0m - Swan neck - standard	K10413-PPW	967.17 €
■ LG PPW 400 - 8,0m - Swan neck - with remote ctrl	K10413-PPWR	1 059.28 €

Accessories :

■ Gas pressure regulator	Consult us	
Plastic swivel platform (can be installed on all power sources)	K10352-1	24.92 €

Other accessories available (drive roll kits, options...). See page of wire feeder

■ Recommended Water-Cooled Package	7 484.37 €
---	-------------------

Power Wave[®] 455M/STT / Power Feed[™] 10MD

Input (V) : 380/415/3/50-60
Fuse size (A) : 48
Output range (A) : 5 - 500
Rated output : 500A/40V@60% • 400A/36V@100%
Processes : Pulse-on-Pulse, MIG, Flux-cored, Stick, Lift TIG DC, STT
Insulation/Protection class : IP23 / H
Weight (kg) : 121
Dimensions HxWxD (mm) : 663 x 505 x 835
Warranty : 3 years
Instruction manual : IM1095



Output



Input



Description	ITEM NUMBER	Price
<ul style="list-style-type: none"> Power Wave[®] 455M/STT power source - CE <i>Includes : Undercarriage, Water cooler, Input cable, Work clamp and cable assembly.</i> 	K2459-2	6 785.36 €
<ul style="list-style-type: none"> Power Feed[™] 10M DUAL - CE <i>Includes : Euroconnector, Water kit, Spool protective cover, MSP4panel, Drive roll kit 1,0-1,2mm</i> 	K2461-2	2 784.84 €

Options

Interconnection cables :

Fast-mate (x2), gas hose, protection, 2,5m - Water cooled	K10348-PGW	123.33 €
Fast-mate (x2), gas hose, protection, 5m - Water cooled	K10348-PGW-5M	158.33 €
Fast-mate (x2), gas hose, protection, 10m - Water cooled	K10348-PGW-10M	260.00 €

Other lengths of interconnection cables available. See page of the wire feeder.

MIG guns :

LG 240 G - 3.0m - 220A 60%	K10413-24-3M	53.47 €
LG 240 G - 4.0m - 220A 60%	K10413-24-4M	57.10 €
LG 250 G - 3.0m - 200A 60%	K10413-25-3M	47.97 €
LG 250 G - 4.0m - 200A 60%	K10413-25-4M	52.61 €
LG 410 W - 3.0m - 350A 100%	K10413-410-3M	121.48 €
LG 410 W - 4.0m - 350A 100%	K10413-410-4M	129.20 €
LG 500 W - 3.0m - 450A 100%	K10413-500-3M	121.48 €
LG 500 W - 4.0m - 450A 100%	K10413-500-4M	129.20 €

Other lengths of torches available. See pages MIG GUNS in "Accessories and expendables" section.

Push-pull guns :

LG PPA 300 - 8,0m - Swan neck - Standard	K10413-PPA	967.17 €
LG PPA 300 - 8,0m - Swan neck - with remote ctrl	K10413-PPAR	1 059.28 €
LG PPW 400 - 8,0m - Swan neck - standard	K10413-PPW	967.17 €
LG PPW 400 - 8,0m - Swan neck - with remote ctrl	K10413-PPWR	1 059.28 €

Accessories - Gas pressure regulator

Consult us

Other accessories available (drive roll kits, options...). See page of wire feeder

<ul style="list-style-type: none"> Recommended Water-Cooled Package 	9 857.73 €
--	------------

LF-22, LF24 & LF-24 PRO

Wire Feed Speed : 1 - 20m/min
Control voltage : 34-44V AC
Wire sizes - solid/cored : 0,8 - 1,6mm • 1,0 - 1,6mm
Processes : MIG, Flux-cored
Weight (kg) : 17
Dimensions HxWxD (mm) : 440 x 270 x 636
Warranty : 3 years
Instruction manual : IM3006



Output



Input



Description	ITEM NUMBER	Price
LF-22 two-roll wire feeder - Air cooled - CE <i>Includes : Drive roll kit 1,0-1,2mm, Spindle and wire reel adapter, Undercarriage</i>	K14024-1	278.57 €
LF-24 four-roll wire feeder - Air/Water cooled - CE <i>Includes : Drive roll kit 1,0-1,2mm, Spindle and wire reel adapter, Undercarriage, Water connection kit</i>	K14025-1W	391.43 €
LF-24 PRO four-roll wire feeder - Air/Water cooled - CE <i>Includes : Drive roll kit 1,0-1,2mm, Spindle and wire reel adapter, Undercarriage, Water connection kit</i>	K14026-1W	487.14 €

Options

Interconnection cables :

Fast-mate (x2), gas hose, protection, 2,5m - Air cooled	K10347-PG	88.33 €
Fast-mate (x2), gas hose, protection, 5m - Air cooled	K10347-PG-5M	121.67 €
Fast-mate (x2), gas hose, protection, 10m - Air cooled	K10347-PG-10M	191.67 €
Fast-mate (x2), gas hose, protection, 15m - Air cooled	K10347-PG-15M	278.33 €
Fast-mate (x2), gas hose, protection, 20m - Air cooled	K10347-PG-20M	350.00 €
Fast-mate (x2), gas hose, protection, 25m - Air cooled	K10347-PG-25M	423.33 €
Fast-mate (x2), gas hose, protection, 30m - Air cooled	K10347-PG-30M	496.67 €
Fast-mate (x2), gas hose, protection, 2,5m - Water cooled	K10347-PGW	101.67 €
Fast-mate (x2), gas hose, protection, 5m - Water cooled	K10347-PGW-5M	138.33 €
Fast-mate (x2), gas hose, protection, 10m - Water cooled	K10347-PGW-10M	210.00 €
Fast-mate (x2), gas hose, protection, 15m - Water cooled	K10347-PGW-15M	301.67 €
Fast-mate (x2), gas hose, protection, 20m - Water cooled	K10347-PGW-20M	380.00 €
Fast-mate (x2), gas hose, protection, 25m - Water cooled	K10347-PGW-25M	458.33 €
Fast-mate (x2), gas hose, protection, 30m - Water cooled	K10347-PGW-30M	535.00 €

MIG guns :

LG 240 G - 3.0m - 220A 60%	K10413-24-3M	53.47 €
LG 240 G - 4.0m - 220A 60%	K10413-24-4M	57.10 €
LG 260 G - 3.0m - 260A 60%	K10413-26-3M	54.75 €
LG 260 G - 4.0m - 260A 60%	K10413-26-4M	60.55 €
LG 360 G - 3.0m - 320A 60%	K10413-36-3M	67.32 €
LG 360 G - 4.0m - 320A 60%	K10413-36-4M	73.19 €
LG 420 G - 3.0m - 380A 60%	K10413-42-3M	125.34 €
LG 420 G - 4.0m - 380A 60%	K10413-42-4M	131.14 €
LG 410 W - 3.0m - 350A 100%	K10413-410-3M	121.48 €
LG 410 W - 4.0m - 350A 100%	K10413-410-4M	129.20 €
LG 500 W - 3.0m - 450A 100%	K10413-500-3M	121.48 €
LG 500 W - 4.0m - 450A 100%	K10413-500-4M	129.20 €

Other lengths of torches available. See pages MIG GUNS in "Accessories and expendables" section.

Semi-automatic Wire Feeders

LF-22, LF24 & LF-24 PRO (Continued)

Innershield guns :		
450A - 82° - 3mm - 4,6m	K115-2	358.50 €
350A - 62° - 1,6 mm - 3m	K126-1	441.07 €
350A - 62° - 1,6 mm - 4,6m	K126-2	430.13 €
Drive roll kits :		
2-roll - 0,6-0,8 mm - solid wire	KP14016-0.8	10.36 €
2-roll - 0,8-1,0 mm - solid wire	KP14016-1.0	8.73 €
4-roll - 0,6-0,8 mm - solid wire	KP10344-0.8	39.09 €
4-roll - 0,8-1,0 mm - solid wire	KP10344-1.0	39.09 €
4-roll - 1,0-1,2 mm - solid wire	KP10344-1.2	39.64 €
4-roll - 1,0-1,2 mm - aluminium wire	KP10344-1.2A	39.09 €
4-roll - 1,2-1,6 mm - solid wire	KP10344-1.6	39.09 €
4-roll - 1,2-1,6 mm - aluminium wire	KP10344-1.6A	39.09 €
4-roll - 1,0-1,6 mm - cored wire	KP10344-1.6C	39.09 €
4-roll - 1,6-2,4 mm - cored wire - Knurled rolls	KP10344-2.4C	34.55 €
2-idle roll kit for KP10344 - configuration 2-roll drive	K10362-1	37.64 €
2-pinion kit for KP10344, configuration 4 roll drive	K10363-1	55.82 €
Accessories :		
Euroconnector / Innershield torch adaptor	K10343	153.85 €
Gas pressure regulator	Consult us	
Undercarriage - Heavy duty 4-wheeled undercarriage	K14032-1	20.43 €

LF-33, LF-34, LF-35

Wire Feed Speed : 1 - 20m/min

Control voltage : 34-44 VAC

Wire sizes - solid/cored : 0,8 - 1,6mm • 1,0 - 1,6mm

Processes : MIG, Flux-cored

Weight (kg) : 17

Dimensions HxWxD (mm) : 440 x 270 x 636

Warranty : 3 years

Instruction manual : IM3008



Output



Input



Description	ITEM NUMBER	Price
LF-33 four-roll wire feeder - Air/Water - CE <i>Includes : Drive roll kit 1,0-1,2mm, Undercarriage, Water connection kit</i>	K14030-1W	502.86 €
LF-34 four-roll wire feeder - Air/Water - CE <i>Includes : Drive roll kit 1,0-1,2mm, Undercarriage, Water connection kit</i>	K14035-1W	632.86 €
LF-35 four-roll wire feeder - Air/Water - CE <i>Includes : Drive roll kit 1,0-1,2mm, Undercarriage, Water connection kit</i>	K14036-1W	634.29 €

Options

Interconnection cables :

Fast-mate (x2), gas hose, protection, 2,5m - Air cooled	K10347-PG	88.33 €
Fast-mate (x2), gas hose, protection, 5m - Air cooled	K10347-PG-5M	121.67 €
Fast-mate (x2), gas hose, protection, 10m - Air cooled	K10347-PG-10M	191.67 €
Fast-mate (x2), gas hose, protection, 15m - Air cooled	K10347-PG-15M	278.33 €
Fast-mate (x2), gas hose, protection, 20m - Air cooled	K10347-PG-20M	350.00 €
Fast-mate (x2), gas hose, protection, 25m - Air cooled	K10347-PG-25M	423.33 €
Fast-mate (x2), gas hose, protection, 30m - Air cooled	K10347-PG-30M	496.67 €
Fast-mate (x2), gas hose, protection, 2,5m - Water cooled	K10347-PGW	101.67 €
Fast-mate (x2), gas hose, protection, 5m - Water cooled	K10347-PGW-5M	138.33 €
Fast-mate (x2), gas hose, protection, 10m - Water cooled	K10347-PGW-10M	210.00 €
Fast-mate (x2), gas hose, protection, 15m - Water cooled	K10347-PGW-15M	301.67 €
Fast-mate (x2), gas hose, protection, 20m - Water cooled	K10347-PGW-20M	380.00 €
Fast-mate (x2), gas hose, protection, 25m - Water cooled	K10347-PGW-25M	458.33 €
Fast-mate (x2), gas hose, protection, 30m - Water cooled	K10347-PGW-30M	535.00 €
Fast-mate (x2), gas hose, protection, 2,5m - Air cooled (STT)	K10370-PG	91.67 €
Fast-mate (x2), gas hose, protection, 5m - Air cooled (STT)	K10370-PG-5M	121.67 €
Fast-mate (x2), gas hose, protection, 10m - Air cooled (STT)	K10370-PG-10M	178.33 €
Fast-mate (x2), gas hose, protection, 15m - Air cooled (STT)	K10370-PG-15M	250.00 €

MIG guns :

LG 240 G - 3.0m - 220A 60%	K10413-24-3M	53.47 €
LG 240 G - 4.0m - 220A 60%	K10413-24-4M	57.10 €
LG 260 G - 3.0m - 260A 60%	K10413-26-3M	54.75 €
LG 260 G - 4.0m - 260A 60%	K10413-26-4M	60.55 €
LG 360 G - 3.0m - 320A 60%	K10413-36-3M	67.32 €
LG 360 G - 4.0m - 320A 60%	K10413-36-4M	73.19 €
LG 420 G - 3.0m - 380A 60%	K10413-42-3M	125.34 €
LG 420 G - 4.0m - 380A 60%	K10413-42-4M	131.14 €
LG 410 W - 3.0m - 350A 100%	K10413-410-3M	121.48 €

Semi-automatic Wire Feeders

LF-33, LF-34, LF-35 (Continued)

LG 410 W - 4.0m - 350A 100%	K10413-410-4M	129.20 €
LG 500 W - 3.0m - 450A 100%	K10413-500-3M	121.48 €
LG 500 W - 4.0m - 450A 100%	K10413-500-4M	129.20 €
Other lengths of torches available. See pages MIG GUNS in "Accessories and expendables" section.		
Innershield guns :		
450A - 82° - 3mm - 4,6m	K115-2	358.50 €
350A - 62° - 1,6 mm - 3m	K126-1	441.07 €
350A - 62° - 1,6 mm - 4,6m	K126-2	430.13 €
Remote controls :		
Control box, 2 encoders, 6 pins, w/ digital display, 5m (LF22, 24, 34, 35)	K10353-1	110.33 €
Control box, 1 potentiometer, 1 encoder, 6 pins, 15 m (LF33)	K14034-1	67.50 €
Drive roll kits :		
4-roll - 0,6-0,8 mm - solid wire	KP10344-0.8	39.09 €
4-roll - 0,8-1,0 mm - solid wire	KP10344-1.0	39.09 €
4-roll - 1,0-1,2 mm - solid wire	KP10344-1.2	39.64 €
4-roll - 1,0-1,2 mm - aluminium wire	KP10344-1.2A	39.09 €
4-roll - 1,2-1,6 mm - solid wire	KP10344-1.6	39.09 €
4-roll - 1,2-1,6 mm - aluminium wire	KP10344-1.6A	39.09 €
4-roll - 1,0-1,6 mm - cored wire	KP10344-1.6C	39.09 €
4-roll - 1,6-2,4 mm - cored wire - Knurled rolls	KP10344-2.4C	34.55 €
2-idle roll kit for KP10344 - configuration 2-roll drive	K10362-1	37.64 €
2-pinion kit for KP10344, configuration 4 roll drive	K10363-1	55.82 €
Accessories :		
Euroconnector / Innershield torch adaptor	K10343	153.85 €
Gas pressure regulator	Consult us	
Undercarriage - Heavy duty 4-wheeled undercarriage	K14032-1	20.43 €

LF-37 & LF-38

Wire Feed Speed : 2 - 20m/min
Control voltage : 42V AC
Wire sizes - solid/cored : 0,6 - 1,6mm • 1,0 - 1,6mm
Processes : MIG, Flux-cored
Weight (kg) : 16
Dimensions HxWxD (mm) : 356 x 188 x 534
Warranty : 3 years
Instruction manual : IM1094



Output



Input



Description	ITEM NUMBER	Price
LF-37 four-roll wire feeder - Air/Water cooled - CE <i>Includes : Drive roll kit 1,0-1,2mm, Water connection kit</i>	K10406	765.71 €
LF-38 four-roll wire feeder - Air/Water cooled - CE <i>Includes : Drive roll kit 1,0-1,2mm, Water connection kit</i>	K10407	771.43 €

Options

Interconnection cables :		
Fast-mate (x2), gas hose, protection, 2,5m - Air cooled	K10347-PG	88.33 €
Fast-mate (x2), gas hose, protection, 5m - Air cooled	K10347-PG-5M	121.67 €
Fast-mate (x2), gas hose, protection, 10m - Air cooled	K10347-PG-10M	191.67 €
Fast-mate (x2), gas hose, protection, 15m - Air cooled	K10347-PG-15M	278.33 €
Fast-mate (x2), gas hose, protection, 20m - Air cooled	K10347-PG-20M	350.00 €
Fast-mate (x2), gas hose, protection, 25m - Air cooled	K10347-PG-25M	423.33 €
Fast-mate (x2), gas hose, protection, 30m - Air cooled	K10347-PG-30M	496.67 €
Fast-mate (x2), gas hose, protection, 2,5m - Water cooled	K10347-PGW	101.67 €
Fast-mate (x2), gas hose, protection, 5m - Water cooled	K10347-PGW-5M	138.33 €
Fast-mate (x2), gas hose, protection, 10m - Water cooled	K10347-PGW-10M	210.00 €
Fast-mate (x2), gas hose, protection, 15m - Water cooled	K10347-PGW-15M	301.67 €
Fast-mate (x2), gas hose, protection, 20m - Water cooled	K10347-PGW-20M	380.00 €
Fast-mate (x2), gas hose, protection, 25m - Water cooled	K10347-PGW-25M	458.33 €
Fast-mate (x2), gas hose, protection, 30m - Water cooled	K10347-PGW-30M	535.00 €
Fast-mate (x2), gas hose, protection, 2,5m - Air cooled (STT)	K10370-PG	91.67 €
Fast-mate (x2), gas hose, protection, 5m - Air cooled (STT)	K10370-PG-5M	121.67 €
Fast-mate (x2), gas hose, protection, 10m - Air cooled (STT)	K10370-PG-10M	178.33 €
Fast-mate (x2), gas hose, protection, 15m - Air cooled (STT)	K10370-PG-15M	250.00 €
MIG guns :		
LG 240 G - 3.0m - 220A 60%	K10413-24-3M	53.47 €
LG 240 G - 4.0m - 220A 60%	K10413-24-4M	57.10 €
LG 260 G - 3.0m - 260A 60%	K10413-26-3M	54.75 €
LG 260 G - 4.0m - 260A 60%	K10413-26-4M	60.55 €
LG 360 G - 3.0m - 320A 60%	K10413-36-3M	67.32 €
LG 360 G - 4.0m - 320A 60%	K10413-36-4M	73.19 €
LG 420 G - 3.0m - 380A 60%	K10413-42-3M	125.34 €
LG 420 G - 4.0m - 380A 60%	K10413-42-4M	131.14 €
LG 410 W - 3.0m - 350A 100%	K10413-410-3M	121.48 €
LG 410 W - 4.0m - 350A 100%	K10413-410-4M	129.20 €
LG 500 W - 3.0m - 450A 100%	K10413-500-3M	121.48 €
LG 500 W - 4.0m - 450A 100%	K10413-500-4M	129.20 €

Other lengths of torches available. See pages MIG GUNS in "Accessories and expendables" section.

Semi-automatic Wire Feeders

LF-37 & LF-38 (Continued)

Innershield guns :		
450A - 82° - 3mm - 4,6m	K115-2	358.50 €
350A - 62° - 1,6 mm - 3m	K126-1	441.07 €
350A - 62° - 1,6 mm - 4,6m	K126-2	430.13 €
Remote controls - Control box, 2 encoders, 6 pins, w/ digital display, 5m (LF22, 24, 34, 35)		
	K10353-1	110.33 €
Drive roll kits :		
4-roll - 0,6-0,8 mm - solid wire	KP10344-0.8	39.09 €
4-roll - 0,8-1,0 mm - solid wire	KP10344-1.0	39.09 €
4-roll - 1,0-1,2 mm - solid wire	KP10344-1.2	39.64 €
4-roll - 1,0-1,2 mm - aluminium wire	KP10344-1.2A	39.09 €
4-roll - 1,2-1,6 mm - solid wire	KP10344-1.6	39.09 €
4-roll - 1,2-1,6 mm - aluminium wire	KP10344-1.6A	39.09 €
4-roll - 1,0-1,6 mm - cored wire	KP10344-1.6C	39.09 €
4-roll - 1,6-2,4 mm - cored wire - Knurled rolls	KP10344-2.4C	34.55 €
2-idle roll kit for KP10344 - configuration 2-roll drive	K10362-1	37.64 €
2-pinion kit for KP10344, configuration 4 roll drive	K10363-1	55.82 €
Accessories :		
Euroconnector / Innershield torch adaptor	K10343	153.85 €
Gas pressure regulator	Consult us	

LF-40

Wire Feed Speed : 2 - 20m/min
Control voltage : 40V DC
Wire sizes - solid/cored : 0,8 - 1,6mm • 1,0 - 1,6mm
Processes : MIG, Flux-cored
Weight (kg) : 20,5
Dimensions HxWxD (mm) : 753 x 470 x 295
Warranty : 3 years
Instruction manual : IM1051



Output



Input



Description	ITEM NUMBER	Price
LF-40 four-roll wire feeder w/ Push-Pull kit - Air/Water cooled - CE <i>Includes : Drive roll kit 1,0-1,2mm, Spindle and wire reel adapter, Water connection kit</i>	K10340-40-5-W	945.71 €
Options		
Interconnection cables :		
Fast-mate (x2), gas hose, protection, 2,5m - Water cooled	K10348-PGW	123.33 €
Fast-mate (x2), gas hose, protection, 5m - Water cooled	K10348-PGW-5M	158.33 €
Fast-mate (x2), gas hose, protection, 10m - Water cooled	K10348-PGW-10M	260.00 €
Fast-mate (x2), gas hose, protection, 15m - Water cooled	K10348-PGW-15M	358.33 €
MIG guns :		
LG 240 G - 3.0m - 220A 60%	K10413-24-3M	53.47 €
LG 240 G - 4.0m - 220A 60%	K10413-24-4M	57.10 €
LG 260 G - 3.0m - 260A 60%	K10413-26-3M	54.75 €
LG 260 G - 4.0m - 260A 60%	K10413-26-4M	60.55 €
LG 360 G - 3.0m - 320A 60%	K10413-36-3M	67.32 €
LG 360 G - 4.0m - 320A 60%	K10413-36-4M	73.19 €
LG 420 G - 3.0m - 380A 60%	K10413-42-3M	125.34 €
LG 420 G - 4.0m - 380A 60%	K10413-42-4M	131.14 €
LG 410 W - 3.0m - 350A 100%	K10413-410-3M	121.48 €
LG 410 W - 4.0m - 350A 100%	K10413-410-4M	129.20 €
LG 500 W - 3.0m - 450A 100%	K10413-500-3M	121.48 €
LG 500 W - 4.0m - 450A 100%	K10413-500-4M	129.20 €
Other lengths of torches available. See pages MIG GUNS in "Accessories and expendables" section.		
Push-pull guns :		
LG PPA 300 - 8,0m - Swan neck - Standard	K10413-PPA	967.17 €
LG PPA 300 - 8,0m - Swan neck - with remote ctrl	K10413-PPAR	1 059.28 €
LG PPW 400 - 8,0m - Swan neck - standard	K10413-PPW	967.17 €
LG PPW 400 - 8,0m - Swan neck - with remote ctrl	K10413-PPWR	1 059.28 €
Remote controls - Control box, 2 encoders, 6 pins, 5m	K10353-2	71.17 €
Drive roll kits :		
4-roll - 0,6-0,8 mm - solid wire	KP10344-0.8	39.09 €
4-roll - 0,8-1,0 mm - solid wire	KP10344-1.0	39.09 €
4-roll - 1,0-1,2 mm - solid wire	KP10344-1.2	39.64 €
4-roll - 1,0-1,2 mm - aluminium wire	KP10344-1.2A	39.09 €
4-roll - 1,2-1,6 mm - solid wire	KP10344-1.6	39.09 €
4-roll - 1,2-1,6 mm - aluminium wire	KP10344-1.6A	39.09 €

Semi-automatic Wire Feeders

LF-40 (Continued)

4-roll - 1,0-1,6 mm - cored wire	KP10344-1.6C	39.09 €
4-roll - 1,6-2,4 mm - cored wire - Knurled rolls	KP10344-2.4C	34.55 €
2-idle roll kit for KP10344 - configuration 2-roll drive	K10362-1	37.64 €
2-pinion kit for KP10344, configuration 4 roll drive	K10363-1	55.82 €
Accessories :		
Euroconnector / Innershield torch adaptor	K10343	153.85 €
Adaptor Euroconnector / TIG connection	K10392	115.38 €
Gas pressure regulator	Consult us	
Plastic swivel platform (can be installed on all power sources)	K10352-1	24.92 €
Undercarriage :		
4-wheeled heavy duty undercarriage for LF (to be installed)	K10339-1	38.57 €
Handle for K10339-1 (to be installed)	K10367	16.43 €
4-Light duty caster wheels for LF (to be installed)	K10371	9.00 €

LN-15

Wire Feed Speed : 1,3 - 17, 8m/min
Control voltage : 42V AC
Wire sizes - solid : 0,6 - 1,2mm
Processes : MIG, Flux-cored (Innershield)
Weight (kg) : 13
Dimensions HxWxD (mm) : 356 x 188 x 533
Warranty : 3 years
Instruction manual : IM620



Output



Input



Description	ITEM NUMBER	Price
LN-15 two-roll wire feeder - Air/water cooled - CE <i>Includes : Euroconnector, Water connection kit</i>	K1871-3	1 048.91 €

Options

Interconnection cables :

Fast-mate (x2), gas hose, protection, 2,5m - Air cooled	K10347-PG	88.33 €
Fast-mate (x2), gas hose, protection, 5m - Air cooled	K10347-PG-5M	121.67 €
Fast-mate (x2), gas hose, protection, 10m - Air cooled	K10347-PG-10M	191.67 €
Fast-mate (x2), gas hose, protection, 15m - Air cooled	K10347-PG-15M	278.33 €
Fast-mate (x2), gas hose, protection, 20m - Air cooled	K10347-PG-20M	350.00 €
Fast-mate (x2), gas hose, protection, 25m - Air cooled	K10347-PG-25M	423.33 €
Fast-mate (x2), gas hose, protection, 30m - Air cooled	K10347-PG-30M	496.67 €
Fast-mate (x2), gas hose, protection, 2,5m - Water cooled	K10347-PGW	101.67 €
Fast-mate (x2), gas hose, protection, 5m - Water cooled	K10347-PGW-5M	138.33 €
Fast-mate (x2), gas hose, protection, 10m - Water cooled	K10347-PGW-10M	210.00 €
Fast-mate (x2), gas hose, protection, 15m - Water cooled	K10347-PGW-15M	301.67 €
Fast-mate (x2), gas hose, protection, 20m - Water cooled	K10347-PGW-20M	380.00 €
Fast-mate (x2), gas hose, protection, 25m - Water cooled	K10347-PGW-25M	458.33 €
Fast-mate (x2), gas hose, protection, 30m - Water cooled	K10347-PGW-30M	535.00 €

MIG guns :

LG 240 G - 3.0m - 220A 60%	K10413-24-3M	53.47 €
LG 240 G - 4.0m - 220A 60%	K10413-24-4M	57.10 €
LG 260 G - 3.0m - 260A 60%	K10413-26-3M	54.75 €
LG 260 G - 4.0m - 260A 60%	K10413-26-4M	60.55 €
LG 360 G - 3.0m - 320A 60%	K10413-36-3M	67.32 €
LG 360 G - 4.0m - 320A 60%	K10413-36-4M	73.19 €
LG 420 G - 3.0m - 380A 60%	K10413-42-3M	125.34 €
LG 420 G - 4.0m - 380A 60%	K10413-42-4M	131.14 €
LG 410 W - 3.0m - 350A 100%	K10413-410-3M	121.48 €
LG 410 W - 4.0m - 350A 100%	K10413-410-4M	129.20 €
LG 500 W - 3.0m - 450A 100%	K10413-500-3M	121.48 €
LG 500 W - 4.0m - 450A 100%	K10413-500-4M	129.20 €

Other lengths of torches available. See pages MIG GUNS in "Accessories and expendables" section.

Innershield guns :

450A - 82° - 3mm - 4,6m	K115-2	358.50 €
350A - 62° - 1,6 mm - 3m	K126-1	441.07 €
350A - 62° - 1,6 mm - 4,6m	K126-2	430.13 €

Semi-automatic Wire Feeders

LN-15 (Continued)

Drive roll kits :

4-roll - 1.2mm aluminium wire	KP1695-3/64A	62.59 €
4-roll - 0.6-0.8 mm solid wire	KP1696-030S	27.17 €
4-roll - 1.0-1.2 mm solid wire	KP1696-045S	18.94 €
4-roll - 1.0-1.2 mm cored wire	KP1697-045C	31.36 €

Accessories - Gas pressure regulator

Consult us

LN-23P

Wire Feed Speed : 0,75 - 4,3m/min
Control voltage : 115V AC
Wire sizes - solid : 1,7 - 2,0mm
Processes : Flux-cored (Innershield)
Weight (kg) : 12,3
Dimensions HxWxD (mm) : 520 x 230 x 480
Warranty : 3 years
Instruction manual : IM311



Description	ITEM NUMBER	Price
LN-23 P two-roll wire feeder - Air cooled - CE	K316L-6	985.06 €
Options		
Interconnection cables :		
LN23P - 15m	K10093-15M	130.00 €
LN23P - 25m	K10093-25M	190.00 €
LN23P - 30m	K10093-30M	245.00 €
Other lengths of torches available. See pages MIG GUNS in "Accessories and expendables" section.		
Innershield guns :		
350A - 62° - 1,6 to 2 mm - 3 m	K345-10	533.77 €
250A - 62° - 1,6 to 2 mm - 4,6 m	K355-10	276.68 €
Accessories - Adapter kit (to be used on all analog power sources)	K350-2	204.58 €

LN-25 Innershield

Wire Feed Speed : 1,27 - 17,8 m/min
Control voltage : 10-110 VDC
Wire sizes - solid/cored : 0,6 - 1,6mm • 1,2 - 2,0mm
Processes : Flux-cored
Weight (kg) : 14
Dimensions HxWxD (mm) : 354 x 188 x 356
Warranty : 3 years
Instruction manual : IM734



Output



Input



Description	ITEM NUMBER	Price
LN-25 for Innershield wires - CE	K428-2	594.14 €
Options		
Interconnection cables :		
Fast-mate, lug, 10m	K10194-10M	46.67 €
Fast-mate, lug, 20m	K10194-20M	108.33 €
Fast-mate (x2), gas hose, 10m	K10206-G-10M	65.00 €
Fast-mate (x2), gas hose, 20m	K10206-G-20M	131.67 €
For K430-2, fast-mate, lug, gas hose, protection, 10m	K10257-PG-10M	171.67 €
Innershield guns :		
450A - 82° - 3mm - 4,6m	K115-2	358.50 €
350A - 62° - 1,6 mm - 3m	K126-1	441.07 €
350A - 62° - 1,6 mm - 4,6m	K126-2	430.13 €
Drive roll kits :		
2-roll - 0,6 mm - solid wire	KP653-025S	34.49 €
2-roll - 0,8 mm - solid wire	KP653-030S	34.49 €
2-roll - 0,9-1,0 mm - cored wire	KP653-035C	39.71 €
2-roll - 0,9-1,0 mm - solid wire	KP653-035S	34.49 €
2-roll - 1,2 mm - cored wire	KP653-052C	39.71 €
2-roll - 1,2 mm - solid wire	KP653-052S	34.49 €
2-roll - 1,4-1,6mm - cored wire	KP653-1/16	39.71 €
2-roll - 1,7-2,4mm - cored wire	KP653-3/32	38.67 €
2-roll - 1,0 mm - aluminium wire	KP688-040A	87.41 €
2-roll - 1,6 mm - aluminium wire	KP688-1/16A	87.41 €
2-roll - 1,2 mm - aluminium wire	KP688-3/64A	79.43 €
Accessories :		
Gas solenoid valve	K430-2	102.42 €
Twist-mate adapter terminal male	K10377	10.77 €
Spindle adapter for 6,3 kg coils	K435	84.43 €
42 V remote control module	K624-2	79.43 €

LN-25 MIG / Flux cored w/contactor

Wire Feed Speed : 1,27 - 17,8 m/min
Control voltage : 10-110 VDC
Wire sizes - solid/cored : 0,6 - 1,6mm • 1,2 - 2,0mm
Processes : MIG, Flux-cored
Weight (kg) : 17
Dimensions HxWxD (mm) : 354 x 188 x 356
Warranty : 3 years
Instruction manual : IM620



Output



Input



Description	ITEM NUMBER	Price
LN-25 for Outershield and MIG/MAG wires w/contactor - CE <i>Includes : Gas solenoid & contactor</i>	K449-3	712.64 €
Options		
Interconnection cables :		
Fast-mate, lug, 10m	K10194-10M	46.67 €
Fast-mate, lug, 20m	K10194-20M	108.33 €
Fast-mate (x2), gas hose, 10m	K10206-G-10M	65.00 €
Fast-mate (x2), gas hose, 20m	K10206-G-20M	131.67 €
MIG guns :		
LG 260 G - 3.0m - 260A 60%	K10413-26-3M	54.75 €
LG 260 G - 4.0m - 260A 60%	K10413-26-4M	60.55 €
LG 360 G - 3.0m - 320A 60%	K10413-36-3M	67.32 €
LG 360 G - 4.0m - 320A 60%	K10413-36-4M	73.19 €
LG 420 G - 3.0m - 380A 60%	K10413-42-3M	125.34 €
LG 420 G - 4.0m - 380A 60%	K10413-42-4M	131.14 €
Other lengths of torches available. See pages MIG GUNS in "Accessories and expendables" section.		
Innershield guns :		
450A - 82° - 3mm - 4,6m	K115-2	358.50 €
350A - 62° - 1,6 mm - 3m	K126-1	441.07 €
350A - 62° - 1,6 mm - 4,6m	K126-2	430.13 €
Remote controls - 1 potentiometer (fixed on LN25), 6 pins, 15m	K10159-1-15M	66.67 €
Drive roll kits :		
2-roll - 0,6 mm - solid wire	KP653-025S	34.49 €
2-roll - 0,8 mm - solid wire	KP653-030S	34.49 €
2-roll - 0,9-1,0 mm - cored wire	KP653-035C	39.71 €
2-roll - 0,9-1,0 mm - solid wire	KP653-035S	34.49 €
2-roll - 1,2 mm - cored wire	KP653-052C	39.71 €
2-roll - 1,2 mm - solid wire	KP653-052S	34.49 €
2-roll - 1,4-1,6mm - cored wire	KP653-1/16	39.71 €
2-roll - 1,7-2,4mm - cored wire	KP653-3/32	38.67 €
2-roll - 1,0 mm - aluminium wire	KP688-040A	87.41 €
2-roll - 1,6 mm - aluminium wire	KP688-1/16A	87.41 €
2-roll - 1,2 mm - aluminium wire	KP688-3/64A	79.43 €

Semi-automatic Wire Feeders

LN-25 MIG / Flux cored w/contactor (Continued)

Accessories :

	Consult us	
Gas pressure regulator		
Readi-reel mounting stand (15 kg), plastic adapter	K10158	9.38 €
Readi-reel mounting stand (15 kg)	K10158-1	3.38 €
Spindle adapter for 6,3 kg coils	K435	84.43 €

LN-10 bench

Wire Feed Speed : 0,9 - 12,7m/min
Control voltage : 42V AC
Wire sizes - solid/cored : 0,6 - 1,6mm • 0,9 - 2,4mm
Processes : MIG, Flux-cored
Weight (kg) : 32
Dimensions HxWxD (mm) : 520 x 367 x 771
Warranty : 3 years
Instruction manual : IM587-B



Output



Input



Description	ITEM NUMBER	Price
LN-10 Bench Standard Speed <i>Includes : Drive roll kit 1,0-1,2mm, Spindle and wire reel adapter, Undercarriage</i>	K1559-5	1 480.21 €
Options		
Interconnection cables :		
Fast-mate (x2), gas hose, protection, 2,5m - Air cooled	K10347-PG	88.33 €
Fast-mate (x2), gas hose, protection, 5m - Air cooled	K10347-PG-5M	121.67 €
Fast-mate (x2), gas hose, protection, 10m - Air cooled	K10347-PG-10M	191.67 €
Fast-mate (x2), gas hose, protection, 15m - Air cooled	K10347-PG-15M	278.33 €
Fast-mate (x2), gas hose, protection, 20m - Air cooled	K10347-PG-20M	350.00 €
Fast-mate (x2), gas hose, protection, 25m - Air cooled	K10347-PG-25M	423.33 €
Fast-mate (x2), gas hose, protection, 30m - Air cooled	K10347-PG-30M	496.67 €
Fast-mate (x2), gas hose, protection, 2,5m - Water cooled	K10347-PGW	101.67 €
Fast-mate (x2), gas hose, protection, 5m - Water cooled	K10347-PGW-5M	138.33 €
Fast-mate (x2), gas hose, protection, 10m - Water cooled	K10347-PGW-10M	210.00 €
Fast-mate (x2), gas hose, protection, 15m - Water cooled	K10347-PGW-15M	301.67 €
Fast-mate (x2), gas hose, protection, 20m - Water cooled	K10347-PGW-20M	380.00 €
Fast-mate (x2), gas hose, protection, 25m - Water cooled	K10347-PGW-25M	458.33 €
Fast-mate (x2), gas hose, protection, 30m - Water cooled	K10347-PGW-30M	535.00 €
MIG guns :		
LG 420 G - 4.0m - 380A 60%	K10413-42-4M	131.14 €
LG 500 W - 4.0m - 450A 100%	K10413-500-4M	129.20 €
Drive roll kits :		
4-roll - 0.6-0.8 mm - solid wire	KP1505-030S	28.83 €
4-roll - 0.8-0.9 mm - cored wire	KP1505-035C	41.17 €
4-roll - 0.9 mm - solid wire	KP1505-035S	28.83 €
4-roll - 1.0-1.2 mm - cored wire	KP1505-045C	59.59 €
4-roll - 1.0-1.2 mm - solid wire	KP1505-045S	39.71 €
4-roll - 1.4 mm - cored wire	KP1505-052C	41.17 €
4-roll - 1.4 mm - solid wire	KP1505-052S	40.77 €
4-roll - 1.8 mm	KP1505-068	41.17 €
4-roll - 1.6 mm - cored wire	KP1505-1/16C	59.57 €
4-roll - 1.6 mm - solid wire	KP1505-1/16S	40.76 €
4-roll - 3.2 mm	KP1505-120	41.17 €
4-roll - 2.4 mm	KP1505-3/32	57.49 €
4-roll - 2.0 mm	KP1505-5/64	41.17 €
4-roll - 2.8 mm	KP1505-7/64	41.17 €
4-roll - 2.8 mm - Hardfacing, w/Matching Smooth U Groove cored wire	KP1505-7/64H	53.53 €

Semi-automatic Wire Feeders

LN-10 bench (Continued)

4-roll - 0.9mm - aluminium wire	KP1507-035A	107.06 €
4-roll - 1.0mm - aluminium wire	KP1507-040A	107.06 €
4-roll - 1.6mm - aluminium wire	KP1507-1/16A	107.06 €
4-roll - 1.2mm - aluminium wire	KP1507-3/64A	107.06 €
4-roll - 2.4mm - aluminium wire	KP1507-3/32A	131.76 €
Accessories :		
Euroconnector / Innershield torch adaptor	K489-9	58.54 €
Water connection kit	K590-6	72.03 €
Plastic wire cover	K1634-3	80.72 €

Power Feed™ 10M & 10M DUAL

Wire Feed Speed : 2,0-20m/min

Control voltage : 40V DC

Wire sizes - solid/cored : 0,6 - 2,4mm • 0,9 - 3,0mm

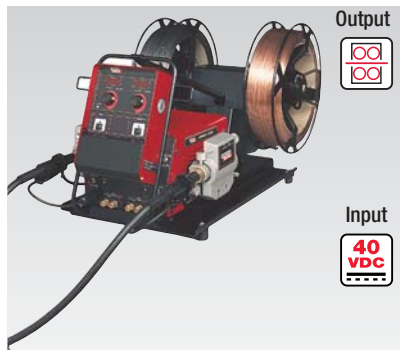
Processes : MIG, Pulse MIG, MIG-STT, Flux-cored

Weight (kg) : 28

Dimensions HxWxD (mm) : 470 x 343 x 775

Warranty : 3 years

Instruction manual : IM1096



Output



Input



Description	ITEM NUMBER	Price
Power Feed™ 10M - CE <i>Includes : Euroconnector, Water kit, Spool protective cover, MSP4panel, Drive roll kit 1,0-1,2mm</i>	K2460-2	1 822.33 €
Power Feed™ 10M DUAL - CE <i>Includes : Euroconnector, Water kit, Spool protective cover, MSP4panel, Drive roll kit 1,0-1,2mm</i>	K2461-2	2 784.84 €

Options

Interconnection cables :

Fast-mate (x2), gas hose, protection, 2,5m - Water cooled	K10348-PGW	123.33 €
Fast-mate (x2), gas hose, protection, 5m - Water cooled	K10348-PGW-5M	158.33 €
Fast-mate (x2), gas hose, protection, 10m - Water cooled	K10348-PGW-10M	260.00 €
Fast-mate (x2), gas hose, protection, 15m - Water cooled	K10348-PGW-15M	358.33 €

MIG guns :

LG 240 G - 3.0m - 220A 60%	K10413-24-3M	53.47 €
LG 240 G - 4.0m - 220A 60%	K10413-24-4M	57.10 €
LG 250 G - 3.0m - 200A 60%	K10413-25-3M	47.97 €
LG 250 G - 4.0m - 200A 60%	K10413-25-4M	52.61 €
LG 260 G - 3.0m - 260A 60%	K10413-26-3M	54.75 €
LG 260 G - 4.0m - 260A 60%	K10413-26-4M	60.55 €
LG 360 G - 3.0m - 320A 60%	K10413-36-3M	67.32 €
LG 360 G - 4.0m - 320A 60%	K10413-36-4M	73.19 €
LG 420 G - 3.0m - 380A 60%	K10413-42-3M	125.34 €
LG 420 G - 4.0m - 380A 60%	K10413-42-4M	131.14 €
LG 410 W - 3.0m - 350A 100%	K10413-410-3M	121.48 €
LG 410 W - 4.0m - 350A 100%	K10413-410-4M	129.20 €
LG 500 W - 3.0m - 450A 100%	K10413-500-3M	121.48 €
LG 500 W - 4.0m - 450A 100%	K10413-500-4M	129.20 €

Other lengths of torches available. See pages MIG GUNS in "Accessories and expendables" section.

Drive roll kits :

4-roll - 0.6-0.8 mm - solid wire	KP1505-030S	28.83 €
4-roll - 0.8-0.9 mm - cored wire	KP1505-035C	41.17 €
4-roll - 0.9 mm - solid wire	KP1505-035S	28.83 €
4-roll - 1.0-1.2 mm - cored wire	KP1505-045C	59.59 €
4-roll - 1.0-1.2 mm - solid wire	KP1505-045S	39.71 €
4-roll - 1.4 mm - cored wire	KP1505-052C	41.17 €
4-roll - 1.4 mm - solid wire	KP1505-052S	40.77 €
4-roll - 1.8 mm	KP1505-068	41.17 €
4-roll - 1.6 mm - cored wire	KP1505-1/16C	59.57 €

Semi-automatic Wire Feeders

Power Feed™ 10M & 10M DUAL (Continued)

4-roll - 1.6 mm - solid wire	KP1505-1/16S	40.76 €
4-roll - 3.2 mm	KP1505-120	41.17 €
4-roll - 2.4 mm	KP1505-3/32	57.49 €
4-roll - 2.0 mm	KP1505-5/64	41.17 €
4-roll - 2.8 mm	KP1505-7/64	41.17 €
4-roll - 2.8 mm - Hardfacing, w/Matching Smooth U Groove cored wire	KP1505-7/64H	53.53 €
4-roll - 0.9mm - aluminium wire	KP1507-035A	107.06 €
4-roll - 1.0mm - aluminium wire	KP1507-040A	107.06 €
4-roll - 1.6mm - aluminium wire	KP1507-1/16A	107.06 €
4-roll - 1.2mm - aluminium wire	KP1507-3/64A	107.06 €
4-roll - 2.4mm - aluminium wire	KP1507-3/32A	131.76 €
Accessories :		
Gas pressure regulator	Consult us	
Insulated lift bail	K1555-1	50.55 €
Light duty caster kit	K1556-1	45.23 €
Swivel platform	K1557-1	125.05 €
Large panel security door	K1574-1	20.40 €

RANGER™ 305D

Output range (A) : 20 - 305

Rated output : 250A/30V@100%

Auxiliary power : 8kW

Engine model/type : KUBOTA D722 • 3 cyl, water-cooled, Diesel

Processes : Stick, TIG, MIG, Flux-cored, Gouge

Weight (kg) : 341

Dimensions HxWxD (mm) : 909 x 546 x 1327

Warranty : 3 years

Instruction manual : IM813



Output



Input



Description	ITEM NUMBER	Price
RANGER™ 305D - CE	K2279-1	7 611.84 €
Options		
Cable Kits - 300A - 50mm ² - 5m with ground clamp & electrode holder (clamp)	KIT-300A-50-5M	56.92 €
Ground cable assemblies :		
Clamp, Fast-mate, cable 300A - 50mm ² - 5m	GRD-300A-50-5M	26.15 €
Clamp, Fast-mate, cable 300A - 50mm ² - 10m	GRD-300A-50-10M	43.08 €
Electrode cable assemblies :		
Electrode holder, Fast-mate, cable 300A - 50mm ² - 5m	E/H-300A-50-5M	29.23 €
Electrode holder, Fast-mate, cable 300A - 50mm ² - 10m	E/H-300A-50-10M	46.15 €
Cables :		
Extension cable, Fast-mate [Ⓢ] -50mm ² -10m (max. 30m@300A - 50m@200A)	EXT-50-10M	43.08 €
Extension cable, Fast-mate [Ⓢ] - 70mm ² - 10m (max. 30m@400A - 50m@300A)	EXT-70-10M	53.85 €
Terminal / twist-mate adapter (2 pieces necessary)	K10376	9.23 €
Remote controls :		
Control box, 1 potentiometer, 6 pins, 15m	K10095-1-15M	51.33 €
Extension cable for remote control box, 6 pins, 15m	K10398	44.67 €
Security Kit - Chalwyn valve, emergency stop, battery shut-off, spark arrestor, Factory installed.	K10405-1-INST	1 071.57 €
Undercarriage :		
2-wheeled road trailer	K10397-1	817.90 €
2-wheeled road trailer, factory installed	K10397-1-INST	822.86 €

VANTAGE 400 CE & VANTAGE 500 CE

Output range (A) : V400 : 30 - 400 / V500 : 30-500
Rated output : V400 : 350A/34V@100% / V500 :
 400A/36V@100%
 V400 : 400A/30V@60% / V500 :
 450A/38V@60%
Auxiliary power : 13,2 / 14,5 kW
Engine model/type : PERKINS 404D-22 (V500 : TURBO) • 4 cyl,
 Diesel
Processes : Stick, TIG, MIG, Flux-cored, Gouge
Weight (kg) : 559 / 580
Dimensions HxWxD (mm) : 913x642x1524 / 913x687x1590
Warranty : 3 years



Output



Input



Description	ITEM NUMBER	Price
Vantage 400 - CE	K2502-3	11 530.33 €
Vantage 500 - CE	K2503-3	12 531.73 €
Options		
Cable Kits :		
400A - 70mm ² - 5m with ground clamp & electrode holder (clamp)	KIT-400A-70-5M	70.77 €
400A - 70mm ² - 5m with ground clamp & electrode holder (rotate)	KIT-400A-70-5M-R	101.54 €
Ground cable assemblies :		
Clamp, Fast-mate, cable 400A - 70mm ² - 5m	GRD-400A-70-5M	36.92 €
Clamp, Fast-mate, cable 400A - 70mm ² - 10m	GRD-400A-70-10M	58.46 €
Electrode cable assemblies :		
Electrode holder, Fast-mate, cable 400A - 70mm ² - 5m	E/H-400A-70-5M	38.46 €
Electrode holder, Fast-mate, cable 400A - 70mm ² - 10m	E/H-400A-70-10M	61.54 €
Cables :		
Extension cable, Fast-mate [®] -50mm ² -10m (max. 30m@300A - 50m@200A)	EXT-50-10M	43.08 €
Extension cable, Fast-mate [®] - 70mm ² - 10m (max. 30m@400A - 50m@300A)	EXT-70-10M	53.85 €
Terminal / twist-mate adapter (2 pieces necessary)	K10376	9.23 €
Remote controls :		
Control box, 1 potentiometer, 6 pins, 15m	K10095-1-15M	51.33 €
Extension cable for remote control box, 6 pins, 15m	K10398	44.67 €
Accessories - TIG BOX + V270T, factory installed	K10419-1-INST	1 804.77 €
Security Kit :		
Spark arrestor	K903-1	79.54 €
Petrochemical kit factory installed	K10417-1-INST	1 113.92 €
Undercarriage :		
4-wheel Steerable Trailer (w/Lunette Eye towbar) for off road, plant, yard	K2641-2	1 548.11 €
2-wheeled undercarriage (need K958-2)	K2636-1	1 079.66 €
Road undercarriage	K10418-1	2 520.96 €
Road undercarriage, factory installed	K10418-1-INST	2 721.03 €

SAE 400

Output range (A) : 80-575

Rated output : 400A/40V@60%

Auxiliary power : 3kW

Engine model/type : PERKINS 1004.4 • 4 cyl, Diesel

Processes : Stick, Gouge (MIG with CV adapter)

Weight (kg) : 964

Dimensions HxWxD (mm) : 1270x711x2109

Warranty : 3 years



Output



Input



Description	ITEM NUMBER	Price
SAE 400 <i>Includes : Remote control box</i>	K1278-7	On request
Options		
Cable Kits :		
400A - 70mm ² - 5m with ground clamp & electrode holder (clamp)	KIT-400A-70-5M	70.77 €
400A - 70mm ² - 5m with ground clamp & electrode holder (rotate)	KIT-400A-70-5M-R	101.54 €
Ground cable assemblies :		
Clamp, Fast-mate, cable 400A - 70mm ² - 5m	GRD-400A-70-5M	36.92 €
Clamp, Fast-mate, cable 400A - 70mm ² - 10m	GRD-400A-70-10M	58.46 €
Clamp, Fast-mate, cable 600A - 95mm ² - 5m	GRD-600A-95-5M	43.08 €
Clamp, Fast-mate, cable 600A - 95mm ² - 10m	GRD-600A-95-10M	72.31 €
Electrode cable assemblies :		
Electrode holder, Fast-mate, cable 400A - 70mm ² - 5m	E/H-400A-70-5M	38.46 €
Electrode holder, Fast-mate, cable 400A - 70mm ² - 10m	E/H-400A-70-10M	61.54 €
Cables :		
Extension cable, Fast-mate [Ⓜ] - 50mm ² - 10m (max. 30m@300A - 50m@200A)	EXT-50-10M	43.08 €
Extension cable, Fast-mate [Ⓜ] - 70mm ² - 10m (max. 30m@400A - 50m@300A)	EXT-70-10M	53.85 €
Lug, Fast-mate - 95mm ² - 600A - 5m (air-arc gouge torch)	N/B-600A-95-5M	66.15 €
Lug, Fast-mate - 95mm ² - 600A - 10m (air-arc gouge torch)	N/B-600A-95-10M	149.23 €
Terminal / twist-mate adapter (2 pieces necessary)	K10376	9.23 €
Air arc gouge torches :		
Model K3000 (600A max)	K10103	240.00 €
Model K4000 (1200A max)	K10105	270.77 €
Accessories :		
Ground fault circuit interrupter 115V receptacle kit	K1690-1	31.73 €
CV Adapter	K385-1	708.57 €
Undercarriage - 4-wheel Steerable Trailer (w/Lunette Eye towbar) for off road, plant, yard	K767-1	1 659.46 €

Invertec® PC-208 & PC-210

Input (V) : 230/1/50-60

Processes : Plasma cutting

Weight (kg) : 18,5

Dimensions HxWxD (mm) : 385 x 215 x 561

Warranty : 2 years

Instruction manual : IM2010



Output



Input



Description	ITEM NUMBER	Price
Invertec® PC 208 <i>Includes : Input cable (2m), Hand cutting torch (3m), Work clamp and cable assembly</i>	K12037-1	791.89 €
Invertec® PC 210 <i>Includes : Input cable (2m), Hand cutting torch (3m), Work clamp and cable assembly</i>	K12038-1	863.95 €
Options		
Plasma torches - LC25 Hand torch, Air cooled, 3 m	PTH-C25A-SL-3MR	112.81 €
Plasma Expendables - See page of "Plasma torches" for expendables		
Accessories - Circle cutting kit	W0300699A	41.89 €
Undercarriage - 2-wheeled cart delivered as a kit, for portable power sources	W0200002	141.76 €

Invertec® PC-620 & PC-1030

Input (V) : 400/3/50-60
Output range (A) : 20 - 60
Rated output : 60A/104V@35% • 50A/100V@60%
Processes : Plasma cutting
Weight (kg) : 18,5
Dimensions HxWxD (mm) : 385 x 215 x 561
Warranty : 2 years
Instruction manual : IM2010



Output



Input



Description

Description	ITEM NUMBER	Price
Invertec® PC 620 - CE <i>Includes : Input cable (3m), Hand cutting torch (7,5m), Work clamp and cable assembly, Air connection kit, Cutting torch consumables kit.</i>	K12029-1	1 238.25 €
Invertec® PC 1030 - CE <i>Includes : Input cable (3m), Hand cutting torch (7,5m), Work clamp and cable assembly, Air connection kit, Cutting torch consumables kit.</i>	K12030-1	1 668.28 €

Options

Plasma torches :

LC60 hand torch, air cooled, 7.5m	PTH-060A-CX-7M5A	161.05 €
LC60 hand torch, air cooled, 15m	PTH-060A-CX-15MA	227.00 €
LC60M Machine torch, air cooled, 7.5m	PTM-060A-CX-7M5A	204.55 €
LC60M Machine torch, air cooled, 15m	PTM-060A-CX-15MA	269.89 €
LC100 hand torch, air cooled, 7.5m	PTH-100A-CX-7M5A	171.33 €
LC100 hand torch, air cooled, 15m	PTH-100A-CX-15MA	261.88 €
LC100M Machine torch, air cooled, 7.5m	PTM-100A-CX-7M5A	219.96 €
LC100M Machine torch, air cooled, 15m	PTM-100A-CX-15MA	303.45 €

Plasma Expendables - See page of "Plasma torches" for expendables

Remote controls :

RC2000, Hand remote control (box only)	W0200021	42.28 €
RCC210, Connection cable for RC2000, 10 m	W0100111	44.48 €
RCC225, Connection cable for RC2000, 25 m	W0100112	76.67 €

Accessories - Circle cutting kit

W0300699A 41.89 €

Undercarriage - 2-wheeled cart delivered as a kit, for portable power sources

W0200002 141.76 €

Power Wave[®] 1000 AC/DC / PF10A

Input (V) : 400/3/50-60
Fuse size (A) : 80
Output range (A) : 200 - 1000
Rated output : 1000A/44V@100%
Processes : Submerged arc
Weight (kg) : 173
Dimensions HxWxD (mm) : 1110 x 488 x 838
Warranty : 3 years
Instruction manual : IM848A



Output



Input



Description	ITEM NUMBER	Price
Power Wave [®] 1000 AC/DC	K2344-2	On request
Power Feed [™] 10A controller - CE <i>Includes : Hopper, Wire straightener, Cross seam adjuster, Head mounting hardware</i>	K2362-1	On request
Power Feed [™] 10SF head - CE	K2370-1	On request
Options		
Cables - Lug ⁽²⁾ - 95mm ² - 600A - 10m (air-arc gouge torch & automation)	K10102-95-10M	70.77 €
Interconnection cables - Automatic welding :		
Control cable system interface 22 pins (2,5m)	K1795-10	635.42 €
Control cable 14 pins (PW1000-PF10SF) (12m)	K1785-50	666.53 €
ArcLink cable 5 pins (PW1000-PF10SC) (12m)	K1543-50	303.62 €
Automatic contact nozzles :		
SubArc, single wire, 2mm	K231-5/64	109.97 €
SubArc, single wire, 2,4mm	K231-3/32	147.45 €
SubArc, single wire, 3,2mm	K231-1/8	140.12 €
SubArc, single wire, 4mm	K231-5/32	120.45 €
SubArc, single wire, 4,8mm	K231-3/16	94.89 €
Accessories - CE filterset PW1000 AC/DC	K2444-2	741.75 €

DC-655

Input (V) : 230/400/3/50-60

Fuse size (A) : 122/70

Output range (A) : 50 - 815

Rated output : 815A/44V@60% • 650A/44V@100%

Processes : Stick, MIG, Flux-cored, Submerged arc, Gouge

Weight (kg) : 327

Dimensions HxWxD (mm) : 699 x 564 x 965

Warranty : 3 years

Instruction manual : IM602



Output



Input



Description

ITEM NUMBER

Price

■ DC-655 - CE K1610-1 4 398.04 €

Options

Cables :

Lug [®] - 95mm² - 600A - 10m (air-arc gouge torch & automation) K10102-95-10M 70.77 €

Terminal / twist-mate adapter (2 pieces necessary) K10376 9.23 €

Air arc gouge torches - Model K3000 (600A max) K10103 240.00 €

Input cables :

4x10mm² - 5 m K10238-10-5M 30.77 €

Strain relief for input cable S51737-3 19.58 €

Remote controls :

Control box, 1 potentiometer, 6 pins, 15m K10095-1-15M 51.33 €

Control box, 2 potentiometers (fine adjustment), 6 pins, 15m K10124-1-15M 64.83 €

Extension cable for remote control box, 6 pins, 15m K10398 44.67 €

Adaptator cable for remote control box, 14pins / 6pins K10399 33.67 €

Accessories :

Digital meter kit K1482-1 254.38 €

Air filter kit (incompatible with K1528-1) K1486-1 78.78 €

Dual process switch K1528-1 453.60 €

Undercarriage - 4-wheeled undercarriage with gas cylinder platform (2 cylinders) K842 497.16 €

■ **Recommended Package** 4 448.39 €

DC-1000

Input (V) : 230/380/440/3/50-60
Fuse size (A) : 193/112/97
Output range (A) : 150 - 1300
Rated output : 1140A/45V@60% • 1000A/44V@100%
Processes : MIG, Flux-cored, Submerged arc, Gouge
Weight (kg) : 372
Dimensions HxWxD (mm) : 781 x 572 x 991
Warranty : 3 years
Instruction manual : IM420



Output



Input



Description	ITEM NUMBER	Price
DC-1000 - CE <i>Includes : Meters</i>	K1387-3	6 422.54 €
Options		
Cables - Lug ⁽²⁾ - 95mm ² - 600A - 10m (air-arc gouge torch & automation)	K10102-95-10M	70.77 €
Air arc gouge torches :		
Model K3000 (600A max)	K10103	240.00 €
Model K4000 (1200A max)	K10105	270.77 €
Input cables - Strain relief for input cable	T50212-3	7.30 €
Accessories - Paralleling kit	K1897-1	55.86 €
Undercarriage - 4-wheeled undercarriage with gas cylinder platform (2 cylinders)	K842	497.16 €

DC-1500

Input (V) : 380/440/3/50-60

Fuse size (A) : 814

Output range (A) : 200 - 1500

Rated output : 1500A/60V@100%

Processes : Flux-cored, Submerged arc, Gouge

Weight (kg) : 644

Dimensions HxWxD (mm) : 1453 x 566 x 965

Warranty : 3 years

Instruction manual : IM318



Description

DC-1500 - CE

ITEM NUMBER

K1383-4

Price

9 061.54 €

Options

Cables - Lug [®] - 95mm² - 600A - 10m (air-arc gouge torch & automation)

K10102-95-10M

70.77 €

Air arc gouge torches :

Model K3000 (600A max)

K10103

240.00 €

Model K4000 (1200A max)

K10105

270.77 €

AC-1200

Input (V) : 380/1/50-60
Fuse size (A) : 182
Output range (A) : 200 - 1500
Rated output : 1200A/44V@100%
Processes : Submerged arc
Weight (kg) : 712
Dimensions HxWxD (mm) : 1453 x 560 x 970
Warranty : 3 years
Instruction manual : IM283



Description	ITEM NUMBER	Price
AC-1200 - CE	K1382-5	9 651.41 €
Options		
Cables - Lug (2) - 95mm ² - 600A - 10m (air-arc gouge torch & automation)	K10102-95-10M	70.77 €

NA-3 & NA-4

Wire Feed Speed : 0,6-16,5m/min

Control voltage : 115V AC

Wire sizes - solid/cored : 1,6 - 5,6mm • 0,9-4,0mm

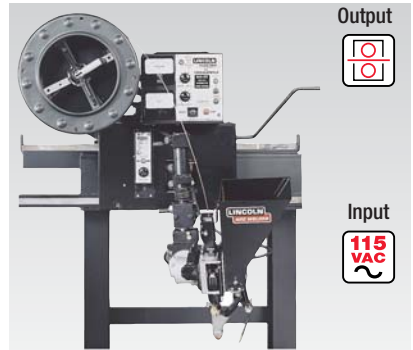
Processes : Submerged arc, MIG, Flux-cored

Weight (kg) : 20

Dimensions HxWxD (mm) : 270 x 320 x 220

Warranty : 3 years

Instruction manual : IM278



Description	ITEM NUMBER	Price
Control box NA-3S / NA3-SF - CE	K210-2	2 356.91 €
Control box NA-4 / NA-4F - CE	K388-2	2 003.74 €
Head NA-3S / NA-4, wire 2,4-5,5mm <i>Includes</i> : Hopper, Wire straightener, Cross seam adjuster, Head mounting hardware, Head-control box cables (1,2m)	K208A	2 117.10 €
Head NA-3S / NA-4, wire 1,6-2,4mm <i>Includes</i> : Hopper, Wire straightener, Cross seam adjuster, Head mounting hardware, Head-control box cables (1,2m)	K208B	2 303.40 €
Head NA-3SF / NA-4F, wire 2,4-5,5mm <i>Includes</i> : Wire straightener	K209A	1 198.10 €
Head NA-3SF/ NA-4F, wire 1,6-2,4mm <i>Includes</i> : Wire straightener	K209B	875.45 €

Options

Interconnection cables - Automatic welding :		
Input control cable assembly - 5m	K215-5M	110.00 €
Input control cable assembly - 10m	K215-10M	208.33 €
Input control cable assembly - 15m	K215-15M	291.67 €
Input control cable assembly - 20m	K215-20M	371.67 €
Input control cable assembly - 25m	K215-25M	451.67 €
Control to Head cable assembly - 3m	K235-3M	113.33 €
Control to Head cable assembly - 5m	K235-5M	145.00 €
Accessories for automatic welding :		
Vertical head adjuster	K29	649.83 €
Horizontal head adjuster	K96	570.14 €
Magnetic flux separator	K58	391.08 €
Travel carriage (3 heads)	K325HCS	3 813.43 €
Travel carriage (1 head)	K325HCF	3 813.43 €
Spindle for 27kg reel (diam.50mm)	K162-1	41.68 €
Wire reel assembly (30kg)	K299	311.60 €
Concentric flux cone	K285	173.34 €
Wire straightener tiny twinarc	K281	727.12 €
Oscillator spreadarc	K278-1	4 617.08 €
Crater fill Board	K245	173.82 €
Starting PC Board	K221	168.49 €
Flux hopper	K219	557.15 €
Remote output control	K10112	102.77 €

Automatic Wire Feeders

NA-3 & NA-4 (Continued)

Automatic contact nozzles :

SubArc, single wire, 2mm	K231-5/64	109.97 €
SubArc, single wire, 2,4mm	K231-3/32	147.45 €
SubArc, single wire, 3,2mm	K231-1/8	140.12 €
SubArc, single wire, 4mm	K231-5/32	120.45 €
SubArc, single wire, 4,8mm	K231-3/16	94.89 €
SubArc, Innershield, single wire, 2,4-3,2mm	K148A	409.71 €
SubArc, Innershield, single wire, 4-4,8mm	K148B	409.71 €
SubArc, Innershield, single wire, 1,6-2mm	K148C	409.71 €
SubArc, Innershield, single wire, Linc fill for K148, 2,4mm	K149-3/32	210.17 €
SubArc, Innershield, single wire, Linc fill for K148, 3,2mm	K149-1/8	210.17 €
SubArc, Innershield, single wire, Linc fill for K148, 4mm	K149-5/32	210.17 €
SubArc, Tiny Twinarc, 1,6mm	K129-1/16	862.18 €
SubArc, Tiny Twinarc, 2mm	K129-5/64	862.18 €
SubArc, Tiny Twinarc, 2,4mm	K129-3/32	862.18 €
Subarc, Narrow gap, 2,4mm	K386	1 322.23 €

NA-5

Wire Feed Speed : 0,6-16,5m/min

Control voltage : 115V AC

Wire sizes - solid/cored : 0,9-5,6mm • 1,2-4,0mm

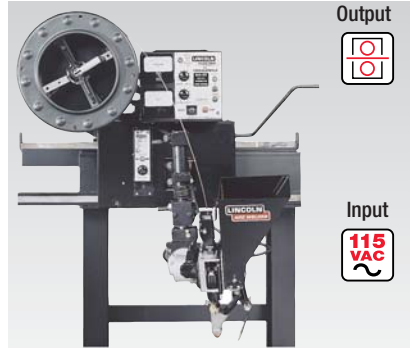
Processes : Submerged arc, MIG, Flux-cored

Weight (kg) : 19

Dimensions HxWxD (mm) : 400 x 400 x 300

Warranty : 3 years

Instruction manual : IM305



Output



Input



Description	ITEM NUMBER	Price
Control box NA-5	K356-2	2 976.85 €
Head NA-5N, wire 2,4-4mm <i>Includes</i> : Wire straightener, Head-control box cables (1,2m)	K331A	1 511.69 €
Head NA-5N, wire 1,6-2,4mm <i>Includes</i> : Wire straightener, Head-control box cables (1,2m)	K331B	1 534.74 €
Head NA-5N, wire 0,9-1,3mm <i>Includes</i> : Wire straightener, Head-control box cables (1,2m)	K331C	1 441.08 €
Head NA-5S, wire 2,4-5,5mm <i>Includes</i> : Hopper, Wire straightener, Cross seam adjuster, Head mounting hardware, Head-control box cables (1,2m)	K346A	2 181.43 €
Head NA-5S, wire 1,6-2,4mm <i>Includes</i> : Hopper, Wire straightener, Cross seam adjuster, Head mounting hardware, Head-control box cables (1,2m)	K346B	1 808.49 €
Head NA-5SF, wire 2,4-5,5mm <i>Includes</i> : Wire straightener	K347A	1 005.15 €
Head NA-5SF, wire 1,6-2,4mm <i>Includes</i> : Wire straightener	K347B	1 020.28 €

Options

Interconnection cables - Automatic welding :

Input control cable assembly - 5m	K215-5M	110.00 €
Input control cable assembly - 10m	K215-10M	208.33 €
Input control cable assembly - 15m	K215-15M	291.67 €
Input control cable assembly - 20m	K215-20M	371.67 €
Input control cable assembly - 25m	K215-25M	451.67 €
Control to Head cable assembly - 3m	K335-3M	143.33 €
Control to Head cable assembly - 5m	K335-5M	178.33 €
Control to Head cable assembly - 3m	K338-3M	116.67 €
Control to Head cable assembly - 5m	K338-5M	151.67 €

Accessories for automatic welding :

Vertical head adjuster	K29	649.83 €
Horizontal head adjuster	K96	570.14 €
Magnetic flux separator	K58	391.08 €
Analog interface kit	K373	2 275.91 €
Weld timer module (100 s)	K337-100	263.38 €
Weld timer module (10 s)	K337-10	236.78 €

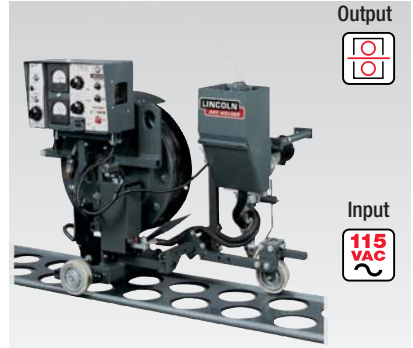
Automatic Wire Feeders

NA-5 (Continued)

Remote interface module	K336	306.15 €
Start or crater module	K334	411.95 €
Travel carriage (3 heads)	K325HCS	3 813.43 €
Travel carriage (1 head)	K325HCF	3 813.43 €
Spindle for 27kg reel (diam.50mm)	K162-1	41.68 €
Wire reel assembly (30kg)	K299	311.60 €
Concentric flux cone	K285	173.34 €
Wire straightener tiny twinarc	K281	727.12 €
Oscillator spreadarc	K278-1	4 617.08 €
Flux hopper	K219	557.15 €
Remote output control	K10112	102.77 €
Automatic contact nozzles :		
SubArc, single wire, 2mm	K231-5/64	109.97 €
SubArc, single wire, 2,4mm	K231-3/32	147.45 €
SubArc, single wire, 3,2mm	K231-1/8	140.12 €
SubArc, single wire, 4mm	K231-5/32	120.45 €
SubArc, single wire, 4,8mm	K231-3/16	94.89 €
SubArc, Innershield, single wire, 2,4-3,2mm	K148A	409.71 €
SubArc, Innershield, single wire, 4-4,8mm	K148B	409.71 €
SubArc, Innershield, single wire, 1,6-2mm	K148C	409.71 €
SubArc, Innershield, single wire, Linc fill for K148, 2,4mm	K149-3/32	210.17 €
SubArc, Innershield, single wire, Linc fill for K148, 3,2mm	K149-1/8	210.17 €
SubArc, Innershield, single wire, Linc fill for K148, 4mm	K149-5/32	210.17 €
SubArc, Tiny Twinarc, 1,6mm	K129-1/16	862.18 €
SubArc, Tiny Twinarc, 2mm	K129-5/64	862.18 €
SubArc, Tiny Twinarc, 2,4mm	K129-3/32	862.18 €
Subarc, Narrow gap, 2,4mm	K386	1 322.23 €

LT7

Wire Feed Speed : 2,5-10,2m/min
Control voltage : 115V AC
Wire sizes - solid : 2,4-4,8mm
Processes : Submerged arc, Flux-cored
Weight (kg) : 54
Dimensions HxWxD (mm) : 698 x 838 x 356
Warranty : 3 years
Instruction manual : IM279



Output



Input



Description	ITEM NUMBER	Price
LT-7 Tractor - CE	K395-1	5 205.56 €
Options		
Interconnection cables - Automatic welding :		
Input control cable assembly - 15m	K228-15M	293.33 €
Input control cable assembly - 25m	K228-25M	456.67 €
Input control cable assembly - 30m	K228-30M	538.33 €
Accessories for automatic welding :		
Magnetic flux separator	K58	391.08 €
Concentric flux cone	K285	173.34 €
Flat fillet adapter kit	K229	187.97 €
Butt seam guide kit	K230	116.17 €
Fillet-lap adapter kit	K232	380.45 €
Track section, 178cm	K396	469.58 €
Automatic contact nozzles :		
SubArc, single wire, 2mm	K231-5/64	109.97 €
SubArc, single wire, 2,4mm	K231-3/32	147.45 €
SubArc, single wire, 3,2mm	K231-1/8	140.12 €
SubArc, single wire, 4mm	K231-5/32	120.45 €
SubArc, single wire, 4,8mm	K231-3/16	94.89 €
SubArc, Innershield, single wire, 2,4-3,2mm	K148A	409.71 €
SubArc, Innershield, single wire, 4-4,8mm	K148B	409.71 €
SubArc, Innershield, single wire, 1,6-2mm	K148C	409.71 €
SubArc, Innershield, single wire, Linc fill for K148, 2,4mm	K149-3/32	210.17 €
SubArc, Innershield, single wire, Linc fill for K148, 3,2mm	K149-1/8	210.17 €
SubArc, Innershield, single wire, Linc fill for K148, 4mm	K149-5/32	210.17 €

Cables

Description	Item Number	Price
Cable Kits :		
140A - 16mm ² - 3m with ground clamp & electrode holder (clamp)	KIT-140A-16-3M	21,54 €
140A - 25mm ² - 5m with ground clamp & electrode holder (clamp)	KIT-140A-25-5M	32,31 €
200A - 25mm ² - 3m with ground clamp & electrode holder (clamp)	KIT-200A-25-3M	29,23 €
200A - 35mm ² - 5m with ground clamp & electrode holder (clamp)	KIT-200A-35-5M	43,08 €
250A - 35mm ² - 5m with ground clamp & electrode holder (clamp)	KIT-250A-35-5M	47,69 €
300A - 50mm ² - 5m with ground clamp & electrode holder (clamp)	KIT-300A-50-5M	56,92 €
400A - 70mm ² - 5m with ground clamp & electrode holder (clamp)	KIT-400A-70-5M	70,77 €
400A - 70mm ² - 5m with ground clamp & electrode holder (rotate)	KIT-400A-70-5M-R	101,54 €
Ground cable assemblies :		
Clamp, Fast-mate, cable 200A - 35mm ² - 5m	GRD-200A-35-5M	21,54 €
Clamp, Fast-mate, cable 200A - 35mm ² - 10m	GRD-200A-35-10M	33,85 €
Clamp, Fast-mate, cable 300A - 50mm ² - 5m	GRD-300A-50-5M	26,15 €
Clamp, Fast-mate, cable 300A - 50mm ² - 10m	GRD-300A-50-10M	43,08 €
Clamp, Fast-mate, cable 400A - 70mm ² - 5m	GRD-400A-70-5M	36,92 €
Clamp, Fast-mate, cable 400A - 70mm ² - 10m	GRD-400A-70-10M	58,46 €
Clamp, Fast-mate, cable 600A - 95mm ² - 5m	GRD-600A-95-5M	43,08 €
Clamp, Fast-mate, cable 600A - 95mm ² - 10m	GRD-600A-95-10M	72,31 €
Electrode cable assemblies :		
Electrode holder, Fast-mate, cable 200A - 35mm ² - 5m	E/H-200A-35-5M	23,08 €
Electrode holder, Fast-mate, cable 200A - 35mm ² - 10m	E/H-200A-35-10M	35,38 €
Electrode holder, Fast-mate, cable 300A - 50mm ² - 5m	E/H-300A-50-5M	29,23 €
Electrode holder, Fast-mate, cable 300A - 50mm ² - 10m	E/H-300A-50-10M	46,15 €
Electrode holder, Fast-mate, cable 400A - 70mm ² - 5m	E/H-400A-70-5M	38,46 €
Electrode holder, Fast-mate, cable 400A - 70mm ² - 10m	E/H-400A-70-10M	61,54 €
Cables :		
Extension cable, Fast-mate ⁽²⁾ - 50mm ² -10m (max. 30m@300A - 50m@200A)	EXT-50-10M	43,08 €
Extension cable, Fast-mate ⁽²⁾ - 70mm ² - 10m (max. 30m@400A - 50m@300A)	EXT-70-10M	53,85 €
Lug, Fast-mate - 95mm ² - 600A - 5m (air-arc gouge torch)	N/B-600A-95-5M	66,15 €
Lug, Fast-mate - 95mm ² - 600A - 10m (air-arc gouge torch)	N/B-600A-95-10M	149,23 €
Lug ⁽²⁾ - 95mm ² - 600A - 10m (air-arc gouge torch & automation)	K10102-95-10M	70,77 €
Terminal / twist-mate adapter (2 pieces necessary)	K10376	9,23 €
Input cables :		
4x10mm ² - 5 m	K10238-10-5M	30,77 €
Strain relief for input cable	S51737-3	19,58 €

Tungsten Electrodes

Description

Item Number

Price

Expendables

All prices are given "Price per pack"

WC20 1,0 mm , 2% Cerium, GREY, (Length 175mm, Pack of 10pcs)	2104797	7,74 €
WC20 1,6 mm , 2% Cerium, GREY, (Length 175mm, Pack of 10pcs)	2103864	9,82 €
WC20 2,0 mm , 2% Cerium, GREY, (Length 175mm, Pack of 10pcs)	2103868	14,71 €
WC20 2,4 mm , 2% Cerium, GREY, (Length 175mm, Pack of 10pcs)	2103865	18,05 €
WC20 3,2 mm , 2% Cerium, GREY, (Length 175mm, Pack of 10pcs)	2103866	33,11 €
WC20 4,0 mm , 2% Cerium, GREY, (Length 175mm, Pack of 5pcs)	2103867	25,37 €
W 1,0 mm , Pure Tungsten, GREEN, (Length 175mm, Pack of 10pcs)	2124058	7,38 €
W 1,6 mm , Pure Tungsten, GREEN, (Length 175mm, Pack of 10pcs)	2124069	9,46 €
W 2,0 mm , Pure Tungsten, GREEN, (Length 175mm, Pack of 10pcs)	2124074	14,37 €
W 2,4 mm , Pure Tungsten, GREEN, (Length 175mm, Pack of 10pcs)	2124080	17,52 €
W 3,2 mm , Pure Tungsten, GREEN, (Length 175mm, Pack of 10pcs)	2124091	32,06 €
W 4,0 mm , Pure Tungsten, GREEN, (Length 175mm, Pack of 5pcs)	2124102	24,61 €
W 4,8 mm , Pure Tungsten, GREEN, (Length 175mm, Pack of 5pcs)	2124113	35,65 €
GOLD Plus 1,6 mm , 1,5% Lanthane, GOLD, (Length 175mm, Pack of 10pcs)	2105396	9,43 €
GOLD Plus 2,0 mm , 1,5% Lanthane, GOLD, (Length 175mm, Pack of 10pcs)	2105417	14,71 €
GOLD Plus 2,4 mm , 1,5% Lanthane, GOLD, (Length 175mm, Pack of 10pcs)	2105414	18,05 €
GOLD Plus 3,2 mm , 1,5% Lanthane, GOLD, (Length 175mm, Pack of 10pcs)	2105419	33,11 €
GOLD Plus 4,0 mm , 1,5% Lanthane, GOLD, (Length 175mm, Pack of 5pcs)	2105480	24,77 €
GOLD Plus 4,8 mm , 1,5% Lanthane, GOLD, (Length 175mm, Pack of 5pcs)	2105481	35,88 €

MIG and Submerged Arc Wires Accessories

Description	Item Number	Price
Expendables		
Wire Straightener	K1733-1	187,97 €
Hood For 136Kg Aluminium Wire Drum	K2175-2	86,04 €
Drum Lifter	K2543-1	288,30 €
Iso Drum Lifter	K2544-1	296,33 €
Fork Lift Adapter	K2545-1	138,06 €
Adjustable Drum Dolly	K2547-1	272,87 €
Drum Dolly 533.4Mm	K2548-1	172,91 €
Drum Dolly 660.4Mm	K2548-3	187,93 €
Blue Polymer Conduit Cutter	K2559-1	35,03 €
Lincoln Wire Straightener Adaptor Kit	K2565-1	35,37 €
Pneumatic Feed Assist With Small Motor	K2570-1	927,37 €
Pneumatic Feed Assist With Large Motor	K2570-2	937,27 €
Pfa Drum Adapter	K2571-1	62,02 €
Silencer/Reclassifier	K2572-1	63,62 €
Mechanical Turn Table	K2574-1	969,02 €
Replacement Ferrule (Heavy Duty And Ec5)	K2577-1	2,83 €
Replacement Ferrule (Ec4)	K2577-2	2,71 €
Replacement Ferrule (Standard)	K2577-3	3,20 €
Replacement Ferrule (Ec3)	K2577-4	2,83 €
Replacement Ferrule (Ec6)	K2577-5	3,61 €
Turn Table Direct Pull Kit	K2580-1	30,99 €
Wire Feeder Connector	K2588-1	42,64 €
Universal Inlet Kit	K2590-1	28,47 €
Heavy Duty Drum Cart	K2592-1	337,32 €
Round Drum Hood 250Kg	K2599-1	86,04 €
Round Drum Hood 500Kg	K2599-2	86,13 €
Round Drum Hood 250Kg (Fcaw)	K844-7	48,62 €
Hood For 1T Subarc Wire Drum	K10412	331,85 €
Mexican Hat	K10421	Consult us
Direct Pull Kit (Ceramic)	KP2540-1	24,60 €
Direct Pull Kit (Steel)	KP2540-2	13,97 €
Orbital Arm	KP2541-1	102,29 €
Extra Flexible Conduit	KP2550-100	2,71 €
Pre-Cut Conduit 3M With Swaged Bayonets And Strain Tube	KP2551-10	54,96 €
Pre-Cut Conduit 4.6M With Swaged Bayonets And Strain Tube	KP2551-15	68,97 €
Pre-Cut Conduit 6.1M With Swaged Bayonets And Strain Tube	KP2551-20	83,02 €

All prices are exclusive of VAT and are subject to Lincoln Electric standard terms and conditions of sale.
Due to constant improvements Lincoln Electric reserve the right to amend any of the above without notification.

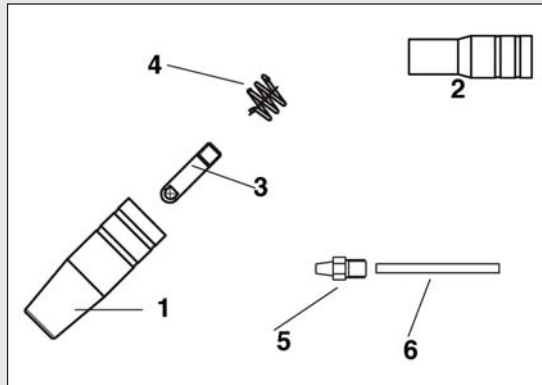
Accessories & Expendables

MIG and Submerged Arc Wires Accessories (Continued)

Pre-Cut Conduit 9.2M With Swaged Bayonets And Strain Tube	KP2551-25	97,05 €
Extra Flexible Heavy Duty Conduit	KP2552-100	3,45 €
Pre-Cut Heavy Duty Conduit 3M With Swaged Bayonets And Strain Tube	KP2553-10	62,70 €
Pre-Cut Heavy Duty Conduit 4.6M With Swaged Bayonets And Strain Tube	KP2553-15	79,14 €
Pre-Cut Heavy Duty Conduit 6.1M With Swaged Bayonets And Strain Tube	KP2553-20	118,36 €
Pre-Cut Heavy Duty Conduit 9.1M With Swaged Bayonets And Strain Tube	KP2553-25	111,97 €
Black Polymer Conduit Ec3	KP2555-100	1,35 €
Black Polymer Conduit Ec4	KP2556-100	1,20 €
Black Polymer Conduit Ec5	KP2557-100	1,40 €
Black Polymer Conduit Ec6	KP2558-100	1,71 €
Strain Relief Connector For Ec4	KP2560-1	24,60 €
Strain Relief Connector For Ec5 & Heavy Duty Extra Flexible Conduit	KP2560-2	27,27 €
Strain Relief Connector For Extra Flexible Conduit	KP2560-3	Consult us
Standard Inlet Guide	KP2564-1	12,88 €
Inlet Guide With Quick Disconnect	KP2564-2	17,58 €
Aluminium Inlet Guide Adapter Kit	KP2564-3	65,42 €
Optional Connector For Heavy Duty Extra Flexible Conduit	KP2565-1	15,08 €
Optional Connector For Standard Extra Flexible Conduit	KP2567-1	15,08 €
Compression Fitting For Black Polymer Conduit Ec3	KP2568-3	14,03 €
Compression Fitting For Black Polymer Conduit Ec4	KP2568-4	16,74 €
Compression Fitting For Black Polymer Conduit Ec5	KP2568-5	Consult us
Self-Thread Fitting For Black Polymer Conduit Ec3	KP2569-3	6,44 €
Self-Thread Fitting For Black Polymer Conduit Ec4	KP2569-4	4,27 €
Self-Thread Fitting For Black Polymer Conduit Ec5	KP2569-5	5,70 €
Self-Thread Fitting For Black Polymer Conduit Ec6	KP2569-6	11,01 €
Quick Disconnect Insulator	KP2575-1	4,12 €
Quick Disconnect (Steel)	KP2576-1	12,47 €
Bulkhead Connector Kit	KP2579-1	47,17 €
Sensor Block (12Mm)	KP2580-1	80,39 €
Proximity Switch	KP2580-2	172,94 €
Reusable Drum Core	KP2581-2	33,42 €
Bulkhead Connector Kit	KP2582-1	37,08 €
Compression Fitting For Black Polymer Conduit Ec6	KP2583-1	30,18 €
Retractable Conduit Hanger	KP2584-1	199,02 €
Conduit Clamp	KP2585-1	11,68 €
Conduit Clamp	KP2585-2	11,68 €

For more information, please refer to our "MIG & Submerged Arc Wires Accessories" catalogue

MIG Guns (LINC GUN 140 D)



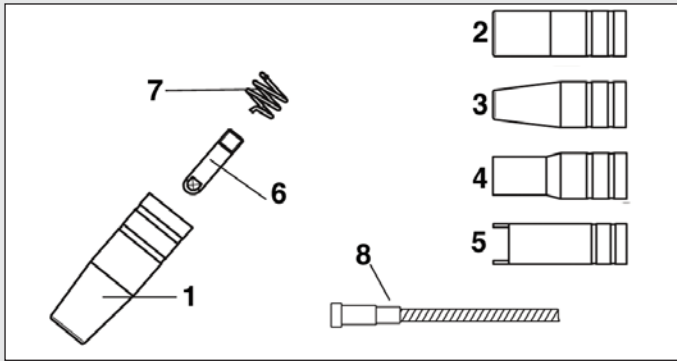
Description	Item Number	Price
MIG guns - LG 140 D - 2.5m - 140A 60%	K10413-14D	28,39 €

Expendables

All prices are given "Price per pack"

1	Gas nozzle con. diam. 12.0mm - (Pack of 10 pcs)	KP10461-1	12,43 €
2	Innershield nozzle diam:6mm- (Pack of 5 pcs)	KP10468	17,94 €
3	Contact tip M6 x 0.6mm (25mm) - Pack of 10 pcs	KP10440-06	2,14 €
3	Contact tip M6 x 0.8mm (25mm) - Pack of 10 pcs	KP10440-08	2,14 €
3	Contact tip M6 x 0.9mm (25mm) - Pack of 10 pcs	KP10440-09	2,14 €
4	Spring - (Pack of 10 pcs)	KP10400-1	2,43 €
5	Collet for PE-liner (ESG) - (Pack of 10 pcs)	KP10436-8	6,64 €
6	Steel liner (3.5m) 1,3x3,8mm, coil of 10mm - (Pack of 1)	KP10409-14D	6,85 €
7	Spring - (Pack of 10 pcs)	KP10400-1	2,43 €

MIG Guns (LINC GUN 150 G)



Description

Item Number

Price

MIG guns :

LG 150 G - 3.0m - 150A 60%	K10413-15-3M	36,36 €
LG 150 G - 4.0m - 150A 60%	K10413-15-4M	37,72 €
LG 150 G - 5.0m - 150A 60%	K10413-15-5M	45,65 €

Expendables

All prices are given "Price per pack"

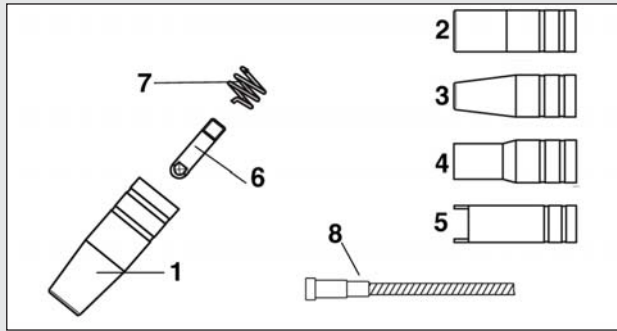
1	Gas nozzle con. diam. 12.0mm - (Pack of 10 pcs)	KP10461-1	12,43 €
2	Gas nozzle cyl. diam. 16.0mm - (Pack of 10 pcs)	KP10460-1	12,54 €
3	Gas nozzle con. diam. 9.50mm - (Pack of 10 pcs)	KP10461-6	14,47 €
4	Gas nozzle bottle form diam. 13.0mm - (Pack of 10 pcs)	KP10462-1	30,16 €
5	Spot weld gas nozzle diam. 16.0mm lg. ins. - (Pack of 10 pcs)	KP10463-1	22,16 €
6	Contact tip M6 x 0.6mm (25mm) - Pack of 10 pcs	KP10440-06	2,14 €
6	Contact tip M6 x 0.8mm (25mm) - Pack of 10 pcs	KP10440-08	2,14 €
6	Contact tip M6 x 1.0mm (25mm) - Pack of 10 pcs	KP10440-10	2,14 €
6	Contact tip M6 x 0.8mm - CuCrZr (25mm) - Pack of 10 pcs	KP10440-08C	5,28 €
6	Contact tip M6 x 1.0mm - CuCrZr (25mm) - Pack of 10 pcs	KP10440-10C	5,28 €
6	Contact tip M6 x 0.8mm - Alu (25mm) - Pack of 10 pcs	KP10440-08A	2,50 €
6	Contact tip M6 x 1.0mm - Alu (25mm) - Pack of 10 pcs	KP10440-10A	2,50 €
7	Spring - (Pack of 10 pcs)	KP10400-1	2,43 €
8	Liner with insulation (3.4m) for wire 0.8-1.0mm - (Pack of 1)	KP10413-3M	2,85 €
8	Liner with insulation (4.4m) for wire 0.8-1.0mm - (Pack of 1)	KP10413-4M	3,26 €
8	Liner with insulation (5.4m) for wire 0.8-1.0mm - (Pack of 1)	KP10413-5M	4,54 €
8	Liner with insulation (3.4m) for wire 1.0-1.2mm - (Pack of 1)	KP10414-3M	2,85 €
8	Liner with insulation (4.4m) for wire 1.0-1.2mm - (Pack of 1)	KP10414-4M	3,26 €
8	Liner with insulation (5.4m) for wire 1.0-1.2mm - (Pack of 1)	KP10414-5M	4,54 €

Accessories & Expendables

MIG Guns (LINC GUN 150 G) (Continued)

8	Red Teflon liner (3.5m) for wire 1.0-1.2mm - (Pack of 1)	KP10418-3M	12,14 €
8	Red Teflon liner (4.5m) for wire 1.0-1.2mm - (Pack of 1)	KP10418-4M	14,66 €
8	Red Teflon liner (5.5m) for wire 1.0-1.2mm - (Pack of 1)	KP10418-5M	16,58 €
8	Red ALUM Liner (3.5m) for wire 1.0-1.2mm - (Pack of 1)	KP10419-3M	6,53 €
8	Red ALUM Liner (4.5m) for wire 1.0-1.2mm - (Pack of 1)	KP10419-4M	17,20 €
8	Red ALUM Liner (5.5m) for wire 1.0-1.2mm - (Pack of 1)	KP10419-5M	20,58 €
8	Blue Teflon liner (3.5m) for wire 0.6-0.9mm - (Pack of 1)	KP10422-3M	12,14 €
8	Blue Teflon liner (4.5m) for wire 0.6-0.9mm - (Pack of 1)	KP10422-4M	14,66 €
8	Blue Teflon liner (5.5m) for wire 0.6-0.9mm - (Pack of 1)	KP10422-5M	18,04 €

MIG Guns (LINC GUN 150 GD)



Description

Item Number

Price

MIG guns :

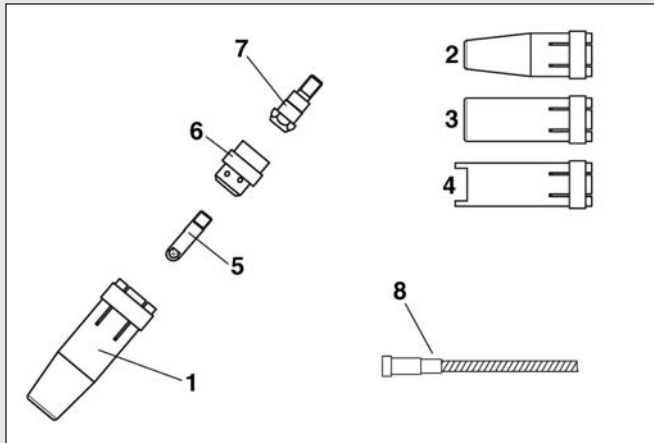
LG 150 GD - 3.0m	K10413-15DP-3M	57,31 €
LG 150 GD - 4.0m	K10413-15DP-4M	61,41 €
LG 150 GD - 5.0m	K10413-15DP-5M	69,24 €

Expendables

All prices are given "Price per pack"

1	Gas nozzle con. diam. 12.0mm - (Pack of 10 pcs)	KP10461-1	12,43 €
2	Gas nozzle cyl. diam. 16.0mm - (Pack of 10 pcs)	KP10460-1	12,54 €
3	Innershield nozzle diam:6mm- (Pack of 5 pcs)	KP10468	17,94 €
4	Contact tip M6 x 0.6mm (25mm) - Pack of 10 pcs	KP10440-06	2,14 €
4	Contact tip M6 x 0.8mm (25mm) - Pack of 10 pcs	KP10440-08	2,14 €
4	Contact tip M6 x 1.0mm (25mm) - Pack of 10 pcs	KP10440-10	2,14 €
4	Contact tip M6 x 0.8mm - CuCrZr (25mm) - Pack of 10 pcs	KP10440-08C	5,28 €
4	Contact tip M6 x 1.0mm - CuCrZr (25mm) - Pack of 10 pcs	KP10440-10C	5,28 €
5	Spring - (Pack of 10 pcs)	KP10400-1	2,43 €
6	Blue liner with insulation (3m) for wire 0.8-0.9mm - (Pack of 1)	KP10431-3M	6,52 €
6	Red liner with insulation (3m) for wire 1.0-1.2mm - (Pack of 1)	KP10432-3M	6,53 €

MIG Guns (LINC GUN 240 G)



Description	Item Number	Price
MIG guns :		
LG 240 G - 3.0m - 220A 60%	KP10413-24-3M	53,47 €
LG 240 G - 4.0m - 220A 60%	KP10413-24-4M	57,10 €
LG 240 G - 5.0m - 220A 60%	KP10413-24-5M	66,73 €
MIG/MAG torch euroconnector adapter	KP10490-1	56,67 €

Expendables

All prices are given "Price per pack"

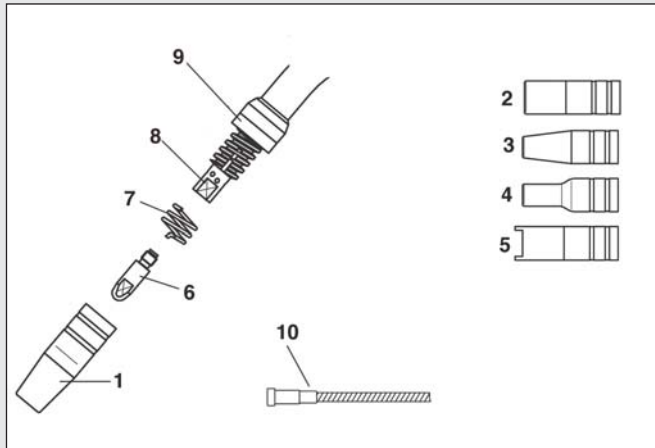
1	Gas nozzle con. diam. 12.5mm - (Pack of 10 pcs)	KP10461-4	19,65 €
2	Gas nozzle con. diam. 10.0mm - (Pack of 10 pcs)	KP10461-9	22,19 €
3	Gas nozzle cyl. diam. 17.0mm - (Pack of 10 pcs)	KP10460-4	19,65 €
4	Spot weld gas nozzle diam. 17.0mm.- (Pack of 10 pcs)	KP10463-4	38,29 €
5	Contact tip M6 x 0.8mm (25mm) - Pack of 10 pcs	KP10440-08	2,14 €
5	Contact tip M6 x 1.0mm (25mm) - Pack of 10 pcs	KP10440-10	2,14 €
5	Contact tip M6 x 1.2mm (25mm) - Pack of 10 pcs	KP10440-12	2,14 €
5	Contact tip M6 x 0.8mm - CuCrZr (25mm) - Pack of 10 pcs	KP10440-08C	5,28 €
5	Contact tip M6 x 1.0mm - CuCrZr (25mm) - Pack of 10 pcs	KP10440-10C	5,28 €
5	Contact tip M6 x 1.2mm - CuCrZr (25mm) - Pack of 10 pcs	KP10440-12C	5,28 €
5	Contact tip M6 x 0.8mm - Alu (25mm) - Pack of 10 pcs	KP10440-08A	2,50 €
5	Contact tip M6 x 1.0mm - Alu (25mm) - Pack of 10 pcs	KP10440-10A	2,50 €
5	Contact tip M6 x 1.2mm - Alu (25mm) - Pack of 10 pcs	KP10440-12A	2,50 €
6	Gas diffusor, red - (Pack of 10 pcs)	KP10404-RD	3,48 €
7	Contact tip holder M6/L=26mm - (Pack of 10 pcs)	KP10455-1	10,00 €

Accessories & Expendables

MIG Guns (LINC GUN 240 G) (Continued)

8	Liner with insulation (3.4m) for wire 0.8-1.0mm - (Pack of 1)	KP10413-3M	2,85 €
8	Liner with insulation (4.4m) for wire 0.8-1.0mm - (Pack of 1)	KP10413-4M	3,26 €
8	Liner with insulation (5.4m) for wire 0.8-1.0mm - (Pack of 1)	KP10413-5M	4,54 €
8	Liner with insulation (3.4m) for wire 1.0-1.2mm - (Pack of 1)	KP10414-3M	2,85 €
8	Liner with insulation (4.4m) for wire 1.0-1.2mm - (Pack of 1)	KP10414-4M	3,26 €
8	Liner with insulation (5.4m) for wire 1.0-1.2mm - (Pack of 1)	KP10414-5M	4,54 €
8	Red Teflon liner (3.5m) for wire 1.0-1.2mm - (Pack of 1)	KP10418-3M	12,14 €
8	Red Teflon liner (4.5m) for wire 1.0-1.2mm - (Pack of 1)	KP10418-4M	14,66 €
8	Red Teflon liner (5.5m) for wire 1.0-1.2mm - (Pack of 1)	KP10418-5M	16,58 €
8	Red ALUM Liner (3.5m) for wire 1.0-1.2mm - (Pack of 1)	KP10419-3M	6,53 €
8	Red ALUM Liner (4.5m) for wire 1.0-1.2mm - (Pack of 1)	KP10419-4M	17,20 €
8	Red ALUM Liner (5.5m) for wire 1.0-1.2mm - (Pack of 1)	KP10419-5M	20,58 €
8	Blue Teflon liner (3.5m) for wire 0.6-0.9mm - (Pack of 1)	KP10422-3M	12,14 €
8	Blue Teflon liner (4.5m) for wire 0.6-0.9mm - (Pack of 1)	KP10422-4M	14,66 €
8	Blue Teflon liner (5.5m) for wire 0.6-0.9mm - (Pack of 1)	KP10422-5M	18,04 €

MIG Guns (LINC GUN 250 G)



Description	Item Number	Price
MIG guns :		
LG 250 G - 3.0m - 200A 60%	K10413-25-3M	47,97 €
LG 250 G - 4.0m - 200A 60%	K10413-25-4M	52,61 €
LG 250 G - 5.0m - 200A 60%	K10413-25-5M	61,91 €
MIG/MAG torch euroconnector adapter	KP10490-1	56,67 €

Expendables

All prices are given "Price per pack"

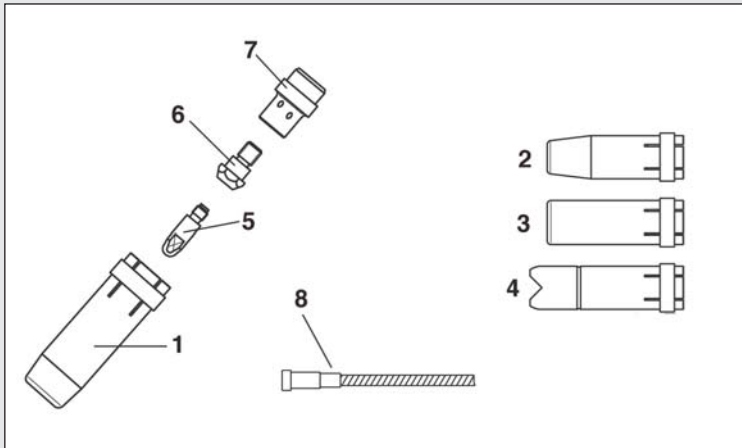
1	Gas nozzle con. diam. 15.0mm - (Pack of 10 pcs)	KP10461-2	19,65 €
2	Gas nozzle cyl. diam. 20.0mm - (Pack of 10 pcs)	KP10460-2	19,65 €
3	Gas nozzle con. diam. 11.0mm - (Pack of 10 pcs)	KP10461-7	22,19 €
4	Gas nozzle bottle form diam. 14.0mm - (Pack of 10 pcs)	KP10462-2	34,12 €
4	Gas nozzle bottle form diam. 11.0mm - (Pack of 10 pcs)	KP10466-1	38,95 €
4	Spot weld gas nozzle diam. 20.0mm.- (Pack of 10 pcs)	KP10463-5	41,67 €
5	Spot weld gas nozzle diam. 18.0mm lg. ins.- (Pack of 10 pcs)	KP10463-2	38,29 €
6	Contact tip M6 x 0.8mm (28mm) - (Pack of 10 pcs)	KP10441-08	3,15 €
6	Contact tip M6 x 1.0mm (28mm) - (Pack of 10 pcs)	KP10441-10	3,15 €
6	Contact tip M6 x 1.2mm (28mm) - (Pack of 10 pcs)	KP10441-12	3,15 €
6	Contact tip M6 x 0.8mm - CuCrZr (28mm) - (Pack of 10 pcs)	KP10441-08C	8,29 €
6	Contact tip M6 x 1.0mm - CuCrZr (28mm) - (Pack of 10 pcs)	KP10441-10C	8,29 €
6	Contact tip M6 x 1.2mm - CuCrZr (28mm) - (Pack of 10 pcs)	KP10441-12C	8,29 €
6	Contact tip M6 x 0.8mm - Alu (28mm) - (Pack of 10 pcs)	KP10441-08A	3,26 €
6	Contact tip M6 x 1.0mm - Alu (28mm) - (Pack of 10 pcs)	KP10441-10A	3,26 €

Accessories & Expendables

MIG Guns (LINC GUN 250 G) (Continued)

6	Contact tip M6 x 1.2mm - Alu (28mm) - (Pack of 10 pcs)	KP10441-12A	3,26 €
7	Nozzle spring - (Pack of 10 pcs)	KP10401-1	4,95 €
8	Nozzle support M6 - (Pack of 5 pcs)	KP10403-1	12,17 €
9	Head insulator - (Pack of 10 pcs)	KP10402-1	6,64 €
10	Liner with insulation (3.4m) for wire 0.8-1.0mm - (Pack of 1)	KP10413-3M	2,85 €
10	Liner with insulation (4.4m) for wire 0.8-1.0mm - (Pack of 1)	KP10413-4M	3,26 €
10	Liner with insulation (5.4m) for wire 0.8-1.0mm - (Pack of 1)	KP10413-5M	4,54 €
10	Liner with insulation (3.4m) for wire 1.0-1.2mm - (Pack of 1)	KP10414-3M	2,85 €
10	Liner with insulation (4.4m) for wire 1.0-1.2mm - (Pack of 1)	KP10414-4M	3,26 €
10	Liner with insulation (5.4m) for wire 1.0-1.2mm - (Pack of 1)	KP10414-5M	4,54 €
10	Red Teflon liner (3.5m) for wire 1.0-1.2mm - (Pack of 1)	KP10418-3M	12,14 €
10	Red Teflon liner (4.5m) for wire 1.0-1.2mm - (Pack of 1)	KP10418-4M	14,66 €
10	Red Teflon liner (5.5m) for wire 1.0-1.2mm - (Pack of 1)	KP10418-5M	16,58 €
10	Red ALUM Liner (3.5m) for wire 1.0-1.2mm - (Pack of 1)	KP10419-3M	6,53 €
10	Red ALUM Liner (4.5m) for wire 1.0-1.2mm - (Pack of 1)	KP10419-4M	17,20 €
10	Red ALUM Liner (5.5m) for wire 1.0-1.2mm - (Pack of 1)	KP10419-5M	20,58 €
10	Blue Teflon liner (3.5m) for wire 0.6-0.9mm - (Pack of 1)	KP10422-3M	12,14 €
10	Blue Teflon liner (4.5m) for wire 0.6-0.9mm - (Pack of 1)	KP10422-4M	14,66 €
10	Blue Teflon liner (5.5m) for wire 0.6-0.9mm - (Pack of 1)	KP10422-5M	18,04 €

MIG Guns (LINC GUN 260 G)



Description	Item Number	Price
MIG guns :		
LG 260 G - 3.0m - 260A 60%	K10413-26-3M	54,75 €
LG 260 G - 4.0m - 260A 60%	K10413-26-4M	60,55 €
LG 260 G - 5.0m - 260A 60%	K10413-26-5M	73,31 €
MIG/MAG torch euroconnector adapter	KP10490-1	56,67 €

Expendables

All prices are given "Price per pack"

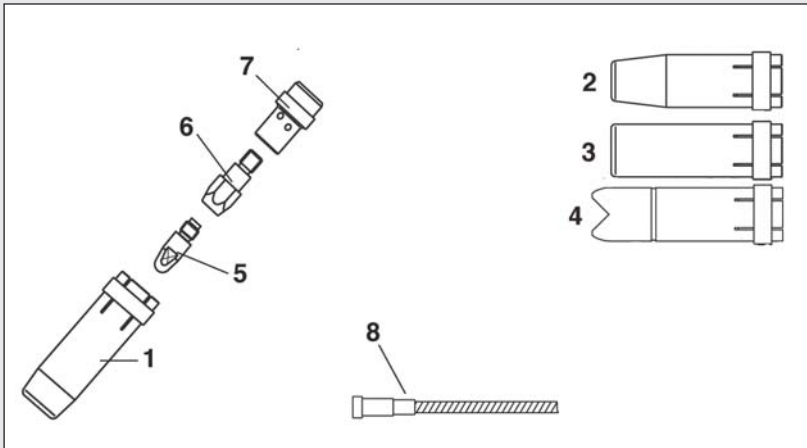
1	Gas nozzle con. diam. 16.0mm - (Pack of 10 pcs)	KP10461-5	25,32 €
2	Gas nozzle con. diam. 14.0mm - (Pack of 10 pcs)	KP10461-10	28,93 €
3	Gas nozzle cyl. diam. 20.0mm - (Pack of 10 pcs)	KP10460-5	25,32 €
4	Spot weld gas nozzle diam. 20.0mm.- (Pack of 10 pcs)	KP10463-5	41,67 €
5	Contact tip M6 x 0.8mm (28mm) - (Pack of 10 pcs)	KP10441-08	3,15 €
5	Contact tip M6 x 1.0mm (28mm) - (Pack of 10 pcs)	KP10441-10	3,15 €
5	Contact tip M6 x 1.2mm (28mm) - (Pack of 10 pcs)	KP10441-12	3,15 €
5	Contact tip M6 x 0.8mm - CuCrZr (28mm) - (Pack of 10 pcs)	KP10441-08C	8,29 €
5	Contact tip M6 x 0.9mm - CuCrZr (28mm) - (Pack of 10 pcs)	KP10441-09C	8,29 €
5	Contact tip M6 x 1.0mm - CuCrZr (28mm) - (Pack of 10 pcs)	KP10441-10C	8,29 €
5	Contact tip M6 x 0.8mm - Alu (28mm) - (Pack of 10 pcs)	KP10441-08A	3,26 €
5	Contact tip M6 x 1.0mm - Alu (28mm) - (Pack of 10 pcs)	KP10441-10A	3,26 €
5	Contact tip M6 x 1.2mm - Alu (28mm) - (Pack of 10 pcs)	KP10441-12A	3,26 €
6	Contact tip holder M6/L=22mm - (Pack of 10 pcs)	KP10455-3	7,59 €
7	Gas diffuser, white - (Pack of 10 pcs)	KP10406-WT	6,64 €

Accessories & Expendables

MIG Guns (LINC GUN 260 G) (Continued)

8	Liner with insulation (3.4m) for wire 0.8-1.0mm - (Pack of 1)	KP10413-3M	2,85 €
8	Liner with insulation (4.4m) for wire 0.8-1.0mm - (Pack of 1)	KP10413-4M	3,26 €
8	Liner with insulation (5.4m) for wire 0.8-1.0mm - (Pack of 1)	KP10413-5M	4,54 €
8	Liner with insulation (3.4m) for wire 1.0-1.2mm - (Pack of 1)	KP10414-3M	2,85 €
8	Liner with insulation (4.4m) for wire 1.0-1.2mm - (Pack of 1)	KP10414-4M	3,26 €
8	Liner with insulation (5.4m) for wire 1.0-1.2mm - (Pack of 1)	KP10414-5M	4,54 €
8	Red Teflon liner (3.5m) for wire 1.0-1.2mm - (Pack of 1)	KP10418-3M	12,14 €
8	Red Teflon liner (4.5m) for wire 1.0-1.2mm - (Pack of 1)	KP10418-4M	14,66 €
8	Red Teflon liner (5.5m) for wire 1.0-1.2mm - (Pack of 1)	KP10418-5M	16,58 €
8	Red ALUM Liner (3.5m) for wire 1.0-1.2mm - (Pack of 1)	KP10419-3M	6,53 €
8	Red ALUM Liner (4.5m) for wire 1.0-1.2mm - (Pack of 1)	KP10419-4M	17,20 €
8	Red ALUM Liner (5.5m) for wire 1.0-1.2mm - (Pack of 1)	KP10419-5M	20,58 €
8	Blue Teflon liner (3.5m) for wire 0.6-0.9mm - (Pack of 1)	KP10422-3M	12,14 €
8	Blue Teflon liner (4.5m) for wire 0.6-0.9mm - (Pack of 1)	KP10422-4M	14,66 €
8	Blue Teflon liner (5.5m) for wire 0.6-0.9mm - (Pack of 1)	KP10422-5M	18,04 €

MIG Guns (LINC GUN 360 G)



Description	Item Number	Price
MIG guns :		
LG 360 G - 3.0m - 320A 60%	K10413-36-3M	67,32 €
LG 360 G - 4.0m - 320A 60%	K10413-36-4M	73,19 €
LG 360 G - 5.0m - 320A 60%	K10413-36-5M	88,30 €
MIG/MAG torch euroconnector adapter	KP10490-1	56,67 €

Expendables

All prices are given "Price per pack"

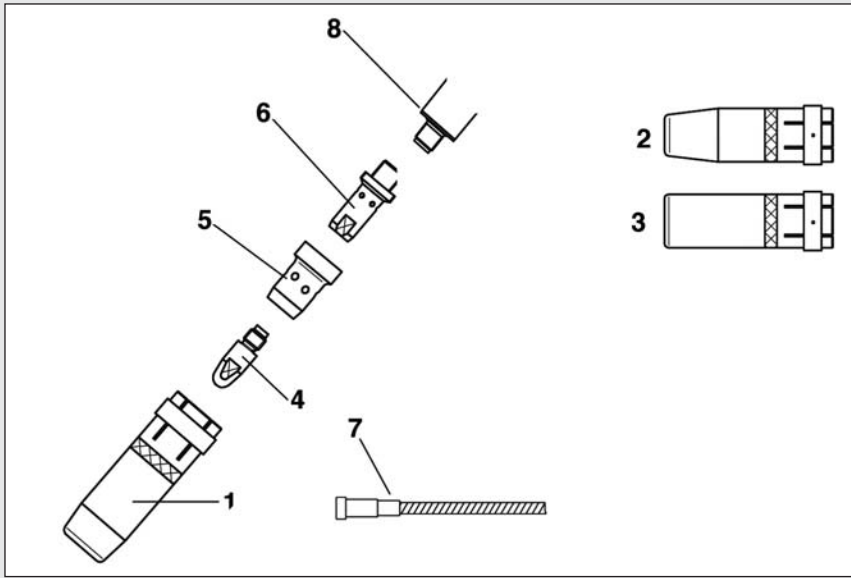
1	Gas nozzle con. diam. 16.0mm- (Pack of 10 pcs)	KP10461-3	25,32 €
2	Gas nozzle con. diam. 12.0mm - (Pack of 10 pcs)	KP10461-8	31,36 €
3	Gas nozzle cyl. diam. 20.0mm - (Pack of 10 pcs)	KP10460-3	25,32 €
4	Spot weld gas nozzle diam. 20.0mm.- (Pack of 10 pcs)	KP10463-3	42,52 €
5	Contact tip M8 x 1.0mm - (Pack of 10 pcs)	KP10445-10	4,39 €
5	Contact tip M8 x 1.2mm - (Pack of 10 pcs)	KP10445-12	4,39 €
5	Contact tip M8 x 1.6mm - (Pack of 10 pcs)	KP10445-16	4,39 €
5	Contact tip M8 x 1.0mm - CuCrZr - (Pack of 10 pcs)	KP10445-10C	9,05 €
5	Contact tip M8 x 1.2mm - CuCrZr - (Pack of 10 pcs)	KP10445-12C	9,05 €
5	Contact tip M8 x 1.6mm - CuCrZr - (Pack of 10 pcs)	KP10445-16C	9,05 €
5	Contact tip M8 x 1.0mm - Alu - (Pack of 10 pcs)	KP10445-10A	4,64 €
5	Contact tip M8 x 1.2mm - Alu - (Pack of 10 pcs)	KP10445-12A	4,64 €
5	Contact tip M8 x 1.6mm - Alu - (Pack of 10 pcs)	KP10445-16A	4,64 €
6	Contact tip holder M8/L=28mm - (Pack of 10 pcs)	KP10456-1	7,59 €
7	Gas diffusor, white - (Pack of 10 pcs)	KP10405-WT	6,64 €

Accessories & Expendables

MIG Guns (LINC GUN 360 G) (Continued)

8	Liner with insulation (3.4m) for wire 0.8-1.0mm - (Pack of 1)	KP10413-3M	2,85 €
8	Liner with insulation (4.4m) for wire 0.8-1.0mm - (Pack of 1)	KP10413-4M	3,26 €
8	Liner with insulation (5.4m) for wire 0.8-1.0mm - (Pack of 1)	KP10413-5M	4,54 €
8	Liner with insulation (3.4m) for wire 1.2-1.6mm - (Pack of 1)	KP10415-3M	3,26 €
8	Liner with insulation (4.4m) for wire 1.2-1.6mm - (Pack of 1)	KP10415-4M	3,69 €
8	Liner with insulation (5.4m) for wire 1.2-1.6mm - (Pack of 1)	KP10415-5M	4,54 €
8	Red Teflon liner (3.5m) for wire 1.0-1.2mm - (Pack of 1)	KP10418-3M	12,14 €
8	Red Teflon liner (4.5m) for wire 1.0-1.2mm - (Pack of 1)	KP10418-4M	14,66 €
8	Red Teflon liner (5.5m) for wire 1.0-1.2mm - (Pack of 1)	KP10418-5M	16,58 €
8	Red ALUM Liner (3.5m) for wire 1.0-1.2mm - (Pack of 1)	KP10419-3M	6,53 €
8	Red ALUM Liner (4.5m) for wire 1.0-1.2mm - (Pack of 1)	KP10419-4M	17,20 €
8	Red ALUM Liner (5.5m) for wire 1.0-1.2mm - (Pack of 1)	KP10419-5M	20,58 €
8	Yellow Teflon liner (3.5m) for wire 1.2-1.6mm - (Pack of 1)	KP10420-3M	12,14 €
8	Yellow Teflon liner (4.5m) for wire 1.2-1.6mm - (Pack of 1)	KP10420-4M	14,66 €
8	Yellow Teflon liner (5.5m) for wire 1.2-1.6mm - (Pack of 1)	KP10420-5M	18,04 €

MIG Guns (LINC GUN 420 G)



Description	Item Number	Price
MIG guns :		
LG 420 G - 3.0m - 380A 60%	K10413-42-3M	125,34 €
LG 420 G - 4.0m - 380A 60%	K10413-42-4M	131,14 €
LG 420 G - 5.0m - 380A 60%	K10413-42-5M	142,18 €
MIG/MAG torch euroconnector adapter	KP10490-1	56,67 €

Expendables

All prices are given "Price per pack"

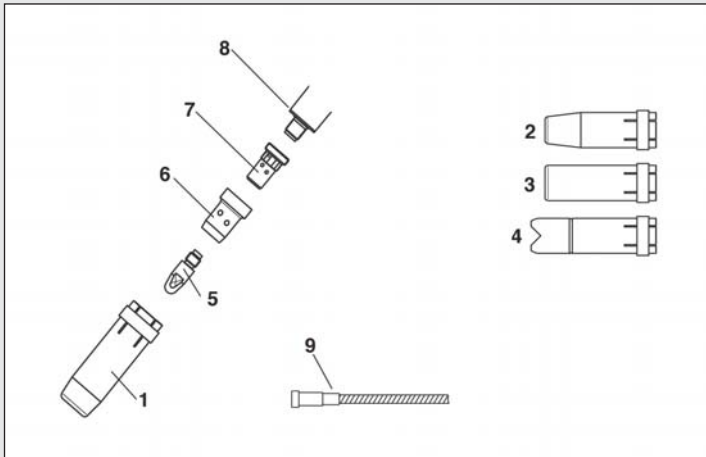
1	Gas nozzle con. diam. 16.0mm - (Pack of 2 pcs)	KP10465-1	13,86 €
1	Gas nozzle con. diam. 16.0mm "HD" - (Pack of 2 pcs)	KP10465-2	25,44 €
2	Gas nozzle cyl. diam. 14.0mm - (Pack of 2 pcs)	KP10465-3	15,81 €
3	Gas nozzle con. diam. 19.0mm- (Pack of 2 pcs)	KP10464-1	13,86 €
4	Contact tip M8 x 1.0mm - (Pack of 10 pcs)	KP10445-10	4,39 €
4	Contact tip M8 x 1.2mm - (Pack of 10 pcs)	KP10445-12	4,39 €
4	Contact tip M8 x 1.6mm - (Pack of 10 pcs)	KP10445-16	4,39 €
4	Contact tip M8 x 1.0mm - Alu - (Pack of 10 pcs)	KP10445-10A	4,64 €
4	Contact tip M8 x 1.2mm - Alu - (Pack of 10 pcs)	KP10445-12A	4,64 €
4	Contact tip M8 x 1.6mm - Alu - (Pack of 10 pcs)	KP10445-16A	4,64 €
4	Contact tip M8 x 1.0mm - CuCrZr - (Pack of 10 pcs)	KP10445-10C	9,05 €
4	Contact tip M8 x 1.2mm - CuCrZr - (Pack of 10 pcs)	KP10445-12C	9,05 €

Accessories & Expendables

MIG Guns (LINC GUN 420 G) (Continued)

4	Contact tip M8 x 1.6mm - CuCrZr - (Pack of 10 pcs)	KP10445-16C	9,05 €
5	Gas diffusor, brown - (Pack of 10 pcs)	KP10408-BR	9,81 €
6	Contact tip holder M8/L=38mm - (Pack of 10 pcs)	KP10456-3	14,83 €
7	Liner with insulation (3.4m) for wire 1.0-1.2mm - (Pack of 1)	KP10414-3M	2,85 €
7	Liner with insulation (4.4m) for wire 1.0-1.2mm - (Pack of 1)	KP10414-4M	3,26 €
7	Liner with insulation (5.4m) for wire 1.0-1.2mm - (Pack of 1)	KP10414-5M	4,54 €
7	Liner with insulation (3.4m) for wire 1.2-1.6mm - (Pack of 1)	KP10415-3M	3,26 €
7	Liner with insulation (4.4m) for wire 1.2-1.6mm - (Pack of 1)	KP10415-4M	3,69 €
7	Liner with insulation (5.4m) for wire 1.2-1.6mm - (Pack of 1)	KP10415-5M	4,54 €
7	Red Teflon liner (3.5m) for wire 1.0-1.2mm - (Pack of 1)	KP10418-3M	12,14 €
7	Red Teflon liner (4.5m) for wire 1.0-1.2mm - (Pack of 1)	KP10418-4M	14,66 €
7	Red Teflon liner (5.5m) for wire 1.0-1.2mm - (Pack of 1)	KP10418-5M	16,58 €
7	Red ALUM Liner (3.5m) for wire 1.0-1.2mm - (Pack of 1)	KP10419-3M	6,53 €
7	Red ALUM Liner (4.5m) for wire 1.0-1.2mm - (Pack of 1)	KP10419-4M	17,20 €
7	Red ALUM Liner (5.5m) for wire 1.0-1.2mm - (Pack of 1)	KP10419-5M	20,58 €
7	Yellow Teflon liner (3.5m) for wire 1.2-1.6mm - (Pack of 1)	KP10420-3M	12,14 €
7	Yellow Teflon liner (4.5m) for wire 1.2-1.6mm - (Pack of 1)	KP10420-4M	14,66 €
7	Yellow Teflon liner (5.5m) for wire 1.2-1.6mm - (Pack of 1)	KP10420-5M	18,04 €
7	Yellow ALUM Liner (3.5m) for wire 1.2-1.6mm - (Pack of 1)	KP10421-3M	15,51 €
7	Yellow ALUM Liner (4.5m) for wire 1.2-1.6mm - (Pack of 1)	KP10421-4M	18,04 €
7	Yellow ALUM Liner (5.5m) for wire 1.2-1.6mm - (Pack of 1)	KP10421-5M	21,42 €
7	PA-liner (3.5m) for wire 1.4-1.6mm - (Pack of 1)	KP10426-3M	8,33 €
7	PA-liner (4.5m) for wire 1.4-1.6mm - (Pack of 1)	KP10426-4M	10,02 €
7	PA-liner (5.5m) for wire 1.4-1.6mm - (Pack of 1)	KP10426-5M	12,14 €
8	Insulating washer - (Pack of 10 pcs)	KP10407-2	16,58 €

MIG Guns (LINC GUN 410 W/ 500 W)



Description	Item Number	Price
MIG guns :		
LG 410 W - 3.0m - 350A 100%	K10413-410-3M	121,48 €
LG 410 W - 4.0m - 350A 100%	K10413-410-4M	129,20 €
LG 410 W - 5.0m - 350A 100%	K10413-410-5M	147,98 €
LG 500 W - 3.0m - 450A 100%	K10413-500-3M	121,48 €
LG 500 W - 4.0m - 450A 100%	K10413-500-4M	129,20 €
LG 500 W - 5.0m - 450A 100%	K10413-500-5M	147,98 €
MIG/MAG torch euroconnector adapter	KP10490-1	56,67 €

Expendables

All prices are given "Price per pack"

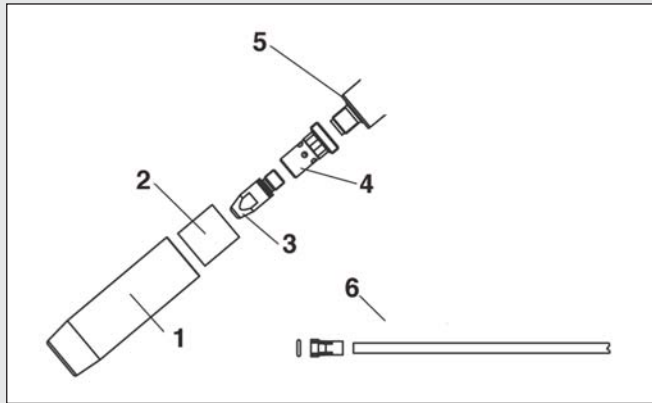
1	Gas nozzle con. diam. 16.0mm - (Pack of 10 pcs)	KP10461-5	25,32 €
2	Gas nozzle con. diam. 14.0mm - (Pack of 10 pcs)	KP10461-10	28,93 €
3	Gas nozzle cyl. diam. 20.0mm - (Pack of 10 pcs)	KP10460-5	25,32 €
4	Spot weld gas nozzle diam. 20.0mm.- (Pack of 10 pcs)	KP10463-5	41,67 €
5	Contact tip M8 x 1.0mm - (Pack of 10 pcs)	KP10445-10	4,39 €
5	Contact tip M8 x 1.2mm - (Pack of 10 pcs)	KP10445-12	4,39 €
5	Contact tip M8 x 1.6mm - (Pack of 10 pcs)	KP10445-16	4,39 €
5	Contact tip M8 x 1.0mm - CuCrZr - (Pack of 10 pcs)	KP10445-10C	9,05 €
5	Contact tip M8 x 1.2mm - CuCrZr - (Pack of 10 pcs)	KP10445-12C	9,05 €
5	Contact tip M8 x 1.6mm - CuCrZr - (Pack of 10 pcs)	KP10445-16C	9,05 €
5	Contact tip M8 x 1.0mm - Alu - (Pack of 10 pcs)	KP10445-10A	4,64 €
5	Contact tip M8 x 1.2mm - Alu - (Pack of 10 pcs)	KP10445-12A	4,64 €
5	Contact tip M8 x 1.6mm - Alu - (Pack of 10 pcs)	KP10445-16A	4,64 €

Accessories & Expendables

MIG Guns (LINC GUN 410 W/ 500 W) (Continued)

6	Gas diffusor, white - (Pack of 10 pcs)	KP10408-WT	6,64 €
7	Contact tip holder M8/L=25mm - (Pack of 10 pcs)	KP10456-2	10,00 €
8	Insulating washer - (Pack of 10 pcs)	KP10407-1	2,43 €
9	Liner w/o insulation (3.4m) for wire 1.0-1.2mm - (Pack of 1)	KP10410-3M	2,85 €
9	Liner w/o insulation (4.4m) for wire 1.0-1.2mm - (Pack of 1)	KP10410-4M	3,26 €
9	Liner w/o insulation (5.4m) for wire 1.0-1.2mm - (Pack of 1)	KP10410-5M	4,54 €
9	Liner w/o insulation (3.4m) for wire 1.4-1.6mm - (Pack of 1)	KP10411-3M	2,85 €
9	Liner w/o insulation (4.4m) for wire 1.4-1.6mm - (Pack of 1)	KP10411-4M	3,26 €
9	Liner w/o insulation (5.4m) for wire 1.4-1.6mm - (Pack of 1)	KP10411-5M	4,54 €
9	Red Teflon liner (3.5m) for wire 1.0-1.2mm - (Pack of 1)	KP10418-3M	12,14 €
9	Red Teflon liner (4.5m) for wire 1.0-1.2mm - (Pack of 1)	KP10418-4M	14,66 €
9	Red Teflon liner (5.5m) for wire 1.0-1.2mm - (Pack of 1)	KP10418-5M	16,58 €
9	Red ALUM Liner (3.5m) for wire 1.0-1.2mm - (Pack of 1)	KP10419-3M	6,53 €
9	Red ALUM Liner (4.5m) for wire 1.0-1.2mm - (Pack of 1)	KP10419-4M	17,20 €
9	Red ALUM Liner (5.5m) for wire 1.0-1.2mm - (Pack of 1)	KP10419-5M	20,58 €
9	Yellow Teflon liner (3.5m) for wire 1.2-1.6mm - (Pack of 1)	KP10420-3M	12,14 €
9	Yellow Teflon liner (4.5m) for wire 1.2-1.6mm - (Pack of 1)	KP10420-4M	14,66 €
9	Yellow Teflon liner (5.5m) for wire 1.2-1.6mm - (Pack of 1)	KP10420-5M	18,04 €

MIG Guns (LINC GUN PP 300 G & PP 400 W)



Description

Item Number

Price

Push-pull guns :

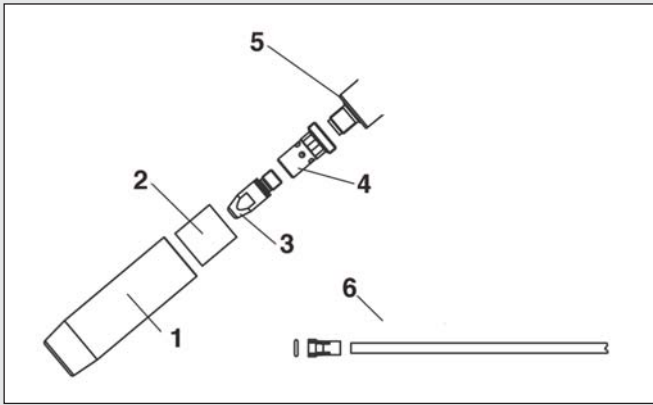
LG PPA 300 - 8,0m - Swan neck - Standard	K10413-PPA	967,17 €
LG PPA 300 - 8,0m - Swan neck - with remote ctrl	K10413-PPAR	1 059,28 €
LG PPW 400 - 8,0m - Swan neck - standard	K10413-PPW	967,17 €
LG PPW 400 - 8,0m - Swan neck - with remote ctrl	K10413-PPWR	1 059,28 €
MIG/MAG torch euroconnector adapter	KP10490-1	56,67 €

Expendables

All prices are given "Price per pack"

1	Gas nozzle con. diam. 16.0mm - (Pack of 2 pcs)	KP10465-1	13,86 €
2	Nozzle insulator - (Pack of 10 pcs)	KP10467	25,63 €
3	Contact tip M8 x 0.8mm - Alu - (Pack of 10 pcs)	KP10445-08A	4,64 €
3	Contact tip M8 x 1.0mm - Alu - (Pack of 10 pcs)	KP10445-10A	4,64 €
3	Contact tip M8 x 1.0mm - Polygon premium Alu - (Pack of 10 pcs)	KP10445-10PLG	24,23 €
3	Contact tip M8 x 1.2mm - Alu - (Pack of 10 pcs)	KP10445-12A	4,64 €
3	Contact tip M8 x 1.2mm - Polygon premium Alu - (Pack of 10 pcs)	KP10445-12PLG	24,23 €
3	Contact tip M8 x 1.4mm - Alu - (Pack of 10 pcs)	KP10445-14A	4,64 €
3	Contact tip M8 x 1.6mm - Alu - (Pack of 10 pcs)	KP10445-16A	4,64 €
4	Contact tip holder M8/L=25mm - (Pack of 10 pcs)	KP10456-6	53,30 €
5	Gas diffusor, brown - (Pack of 10 pcs)	KP10408-BR	9,81 €
5	Contact tip M8 x 1.4mm - Alu - (Pack of 10 pcs)	KP10445-14A	4,64 €
6	PA-liner (8.5m) for wire 2.0-2.4mm - (Pack of 1)	KP10430-8M	17,20 €
6	PA-liner (6.6m) for wire 1.0-1.2mm - (Pack of 1)	KP10425-4M	12,14 €
6	PA-liner (6.6m) for wire 1.2-1.6mm - (Pack of 1)	KP10426-4M	10,02 €

MIG Guns (LINC GUN S2F ALU)



Description

MIG guns - LG S2F Alu - 4,0m - 400A water cooled

Push-pull guns - MIG/MAG torch euroconnector adapter

Item Number

K10413-ALU-4M

KP10490-1

Price

238,31 €

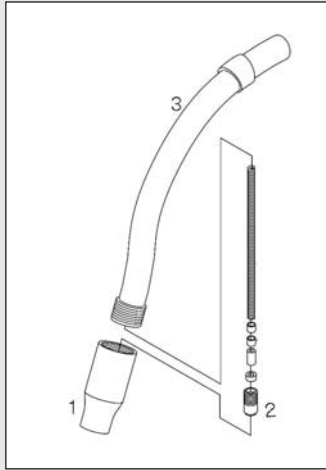
56,67 €

Expendables

All prices are given "Price per pack"

1	Gas nozzle con. diam. 16.0mm - (Pack of 2 pcs)	KP10465-8	43,16 €
3	Contact tip M8 x 0.8mm - Alu - (Pack of 10 pcs)	KP10445-08A	4,64 €
3	Contact tip M8 x 1.0mm - Alu - (Pack of 10 pcs)	KP10445-10A	4,64 €
3	Contact tip M8 x 1.0mm - Polygon premium Alu - (Pack of 10 pcs)	KP10445-10PLG	24,23 €
3	Contact tip M8 x 1.2mm - Alu - (Pack of 10 pcs)	KP10445-12A	4,64 €
3	Contact tip M8 x 1.2mm - Polygon premium Alu - (Pack of 10 pcs)	KP10445-12PLG	24,23 €
3	Contact tip M8 x 1.4mm - Alu - (Pack of 10 pcs)	KP10445-14A	4,64 €
3	Contact tip M8 x 1.6mm - Alu - (Pack of 10 pcs)	KP10445-16A	4,64 €
5	Contact tip M8 x 1.4mm - Alu - (Pack of 10 pcs)	KP10445-14A	4,64 €
6	PA-liner (8.5m) for wire 2.0-2.4mm - (Pack of 1)	KP10430-8M	17,20 €
7	O-Ring for liner - (Pack of 20 pcs)	KP10470-4	4,54 €

Innershield Gun K115

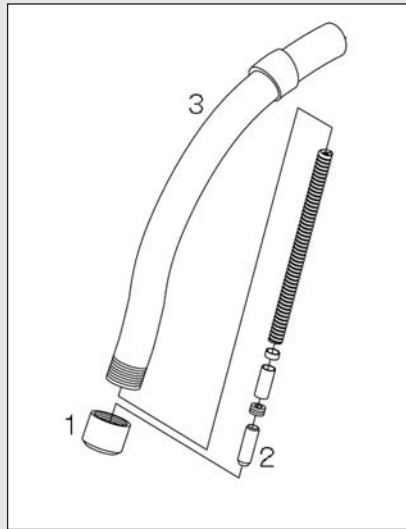


Description	Item Number	Price
Innershield guns - 450A - 82° - 3mm - 4,6m	K115-2	358,50 €
Accessories - Euroconnector / Innershield torch adaptor	K10343	153,85 €

Expendables

1	Insulated Guides, Electrical Stickout 1-1/2" (38mm)	KP1971-1	8,40 €
1	Insulated Guides, Electrical Stickout 2-3/4" (70mm)	KP1965-1	8,53 €
1	Insulated Guides, Electrical Stickout 3-3/4" (95mm)	KP1965-2	9,77 €
2	Contact Tip 1/16" (1,6mm)	KP2103-2B1	1,91 €
2	Contact Tip .068-.072" (1,6 - 1,7mm)	KP2103-1B1	1,91 €
2	Contact Tip 5/64" (2,0mm)	KP2103-5B1	1,91 €
2	Contact Tip 3/32" (2,4mm)	KP2103-4B1	1,91 €
2	Contact Tip 7/64" (2,8mm)	KP2103-6B1	1,92 €
2	Contact Tip .120" (3mm)	KP2103-3B1	1,91 €
3	Complete Nozzle assembly (Includes: Nozzle liner, Insert, Insert retainer, Locking screw)		
3	Nozzle 45° 1/16-5/64" (1,6-2,0mm)	KP1919-1	42,50 €
3	Nozzle 45° 3/32" (2,4mm)	KP1910-2	39,30 €
3	Nozzle 45° 7/64-.120" (2,8-3,0mm)	KP1910-1	38,46 €
3	Nozzle 45° .120" (3,0mm) Hardfacing	KP1952-1	Consult us
3	Nozzle 82° 1/16-5/64" (1,6-2,0mm)	KP1919-2	42,51 €
3	Nozzle 82° 3/32" (2,4mm)	KP1907-2	38,14 €
3	Nozzle 82° 7/64-.120" (2,8-3,0mm)	KP1907-1	37,31 €
3	Nozzle 82° .120" (3,0mm) Hardfacing	KP1953-1	Consult us

Innershield Gun K126 - K345 - K355



Description

Innershield guns :

- 350A - 62° - 1,6 mm - 3m
- 350A - 62° - 1,6 mm - 4,6m
- 350A - 62° - 1,6 to 2 mm - 3 m
- 250A - 62° - 1,6 to 2 mm - 4,6 m

Accessories - Euroconnector / Innershield torch adaptor

Item Number

- K126-1
- K126-2
- K345-10
- K355-10
- K10343

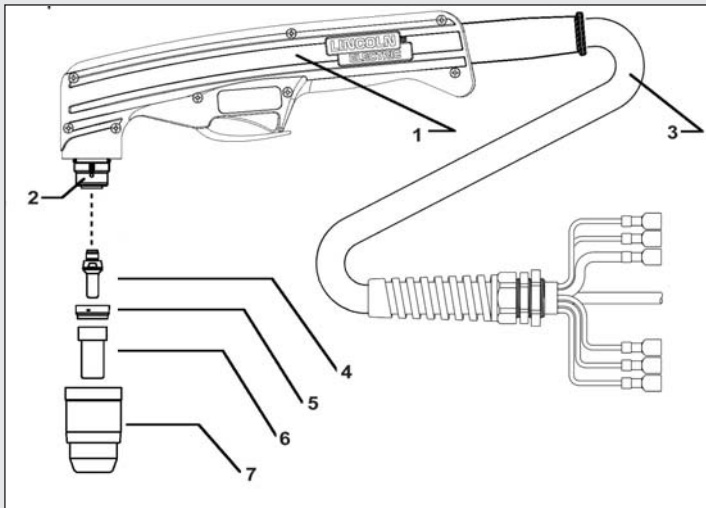
Price

- 441,07 €
- 430,13 €
- 533,77 €
- 276,68 €
- 153,85 €

Expendables

1	Thread Protector, Electrical Stickout .75-1.50" (19mm)	KP2089-1	1,71 €
1	Insulated Guides, Electrical Stickout 1.50" (38mm)	KP1987-1	6,94 €
1	Insulated Guides, Electrical Stickout 2.00" (51mm)	KP1995-1	12,21 €
1	Insulated Guides, Electrical Stickout 2-3/4" (70mm)	KP2090-1	18,98 €
2	Contact Tip .062" (1,6mm)	KP2100-2B1	1,28 €
2	Contact Tip .068-.072" (1,6 - 1,7mm)	KP2100-1B1	1,28 €
2	Contact Tip 5/64" (2,0mm)	KP2100-4B1	1,27 €
2	Contact Tip 3/32" (2,4mm)	KP2100-3B1	1,27 €
3	Complete Nozzle assembly (Includes: Nozzle liner, Insert, Insert retainer, Locking screw)		
3	Nozzle 30° Standard Length	KP1914-2	25,60 €
3	Nozzle 62° Standard Length	KP1909-1	25,12 €
3	Nozzle 90° Standard Length	KP1920-1	39,70 €
3	Nozzle 30° Length 12"	KP1914-1	44,83 €

Plasma torches LC25

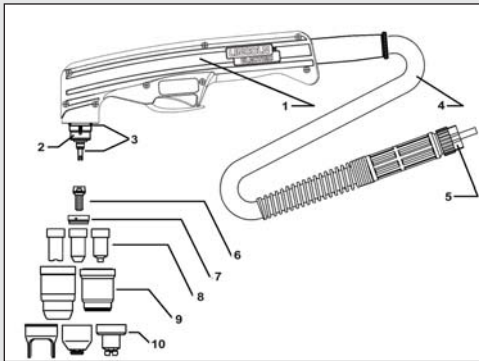


Description	Item Number	Price
Plasma torches - LC25 Hand torch, Air cooled, 3 m	PTH-C25A-SL-3MR	112,81 €

Expendables

1	Handle	W0300601R	16,02 €
2	Head	W0300615R	75,51 €
3	Cable	W0300616R	46,04 €
4	Electrode (blister 5 pcs)	W03X0893-75A	7,47 €
5	Gas distributor (Blisters 3 pcs)	W03X0893-5R	21,02 €
6	Tip (Blisters 5 pcs)	W03X0893-76A	7,02 €
7	Retaining cap (blister 1 pc)	W03X0893-77A	11,31 €

Plasma torches LC60



Description

Plasma torches :

- LC60 hand torch, air cooled, 7.5m
- LC60 hand torch, air cooled, 15m

Item Number

- PTH-060A-CX-7M5A
- PTH-060A-CX-15MA

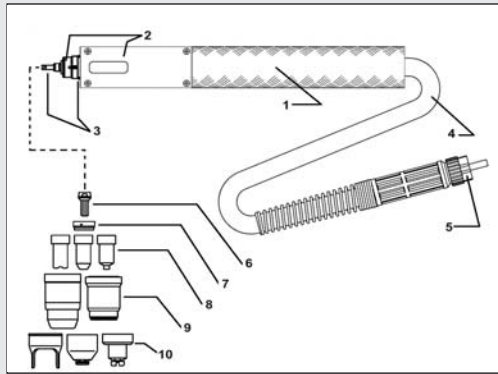
Price

- 161,05 €
- 227,00 €

Expendables

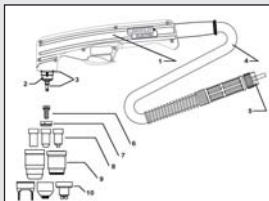
Handle	W0300601R	16,02 €
Head	W0300600R	92,31 €
Cooling kit	W03X0893-4R	8,16 €
Cable 7.5m	W0300604R	150,58 €
Cable 15m	W0300606R	244,27 €
Connector	W03X0934-4R	25,56 €
Electrode (blister 5 pcs)	W03X0893-1A	9,20 €
Gas distributor (blister 3 pcs)	W03X0893-5R	21,02 €
Tip - 40A (blister 5 pcs)	W03X0893-2A	8,98 €
Tip - 50A (blister 5 pcs)	W03X0893-3A	8,98 €
Tip - 60A (blister 5 pcs)	W03X0893-15A	8,98 €
Tip - direct contact 40A (blister 5 pcs)	W03X0893-8A	9,85 €
Tip - Contact 50A (blister 5 pcs)	W03X0893-6A	9,40 €
Tip - Contact 60A (blister 5 pcs)	W03X0893-17A	9,40 €
Tip - Gouging (blister 5 pcs)	W03X0893-9A	9,69 €
Retaining cup (40A, 50A, 60A & Direct contact 40A) (blister 1 pc)	W03X0893-10A	14,67 €
Retaining cup (Contact 50A, 60A & Gouging) (blister 1 pc)	W03X0893-11A	19,00 €
Spacer (blister 2 pcs)	W03X0893-14R	19,96 €
Shield cup (Contact 50A & 60A) (blister 2 pcs)	W03X0893-7A	18,49 €
Shield cup (gouging) (blister 2 pcs)	W03X0893-13A	18,64 €

Plasma torches LC60M



Description	Item Number	Price
Plasma torches :		
LC60M Machine torch, air cooled, 7.5m	PTM-060A-CX-7M5A	204,55 €
LC60M Machine torch, air cooled, 15m	PTM-060A-CX-15MA	269,89 €
Expendables		
Handle	W0300603R	40,31 €
Head	W0300602R	126,85 €
Cooling kit	W03X0893-4R	8,16 €
Cable 7.5m	W0300605R	153,96 €
Cable 15m	W0300607R	253,04 €
Connector	W03X0934-4R	25,56 €
Electrode (blister 5 pcs)	W03X0893-1A	9,20 €
Gas distributor (blister 3 pcs)	W03X0893-5R	21,02 €
Tip - 40A (blister 5 pcs)	W03X0893-2A	8,98 €
Tip - 50A (blister 5 pcs)	W03X0893-3A	8,98 €
Tip - 60A (blister 5 pcs)	W03X0893-15A	8,98 €
Tip - Shielded 40A (blister 5 pcs)	W03X0893-16A	9,40 €
Tip - Shielded 50A (blister 5 pcs)	W03X0893-6A	9,40 €
Tip - Shielded 60A (blister 5 pcs)	W03X0893-17A	9,40 €
Tip - Gouging (blister 5 pcs)	W03X0893-9A	9,69 €
Retaining cup (40A, 50A & 60A) (blister 1 pc)	W03X0893-10A	14,67 €
Retaining cup (Shielded 40A, 50A, 60A & Gouging) (blister 1 pc)	W03X0893-11A	19,00 €
Shield cup (Shielded 40A, 50A & 60A) (blister 2 pcs)	W03X0893-12A	17,07 €
Shield cup (gouging) (blister 2 pcs)	W03X0893-13A	18,64 €

Plasma torches LC100



Description

Plasma torches :

- LC100 hand torch, air cooled, 7.5m
- LC100 hand torch, air cooled, 15m

Item Number

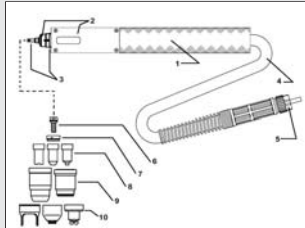
- PTH-100A-CX-7M5A 171,33 €
- PTH-100A-CX-15MA 261,88 €

Price

Expendables

	Item Number	Price
Handle	W0300609R	16,45 €
Head	W0300608R	101,73 €
Cooling kit	W03X0893-49R	8,69 €
Cable 7.5m	W0300611R	167,24 €
Cable 15m	W0300613R	292,85 €
Connector	W03X0934-8R	25,56 €
Electrode (blister 5 pcs)	W03X0893-25A	11,04 €
Gas distributor (40A to 60A) (blister 3 pcs)	W03X0893-50R	26,65 €
Gas distributor (70A to 100A and gouging) (blister 3 pcs)	W03X0893-51R	26,65 €
Tip - 40A (blister 5 pcs)	W03X0893-27A	10,58 €
Tip - 50A (blister 5 pcs)	W03X0893-28A	10,58 €
Tip - 60A (blister 5 pcs)	W03X0893-29A	10,58 €
Tip - 70A (blister 5 pcs)	W03X0893-30A	10,96 €
Tip - 80A (blister 5 pcs)	W03X0893-31A	10,96 €
Tip - 100A (blister 5 pcs)	W03X0893-32A	10,96 €
Tip - direct contact 40A (blister 5 pcs)	W03X0893-26A	11,31 €
Tip - Contact 50A (blister 5 pcs)	W03X0893-33A	11,60 €
Tip - Contact 60A (blister 5 pcs)	W03X0893-34A	11,60 €
Tip - Contact 70A (blister 5 pcs)	W03X0893-35A	11,85 €
Tip - Contact 80A (blister 5 pcs)	W03X0893-36A	11,85 €
Tip - Contact 100A (blister 5 pcs)	W03X0893-37A	11,85 €
Tip - Gouging (blister 5 pcs)	W03X0893-38A	11,85 €
Retaining cup (40A to 60A & Direct contact 40A) (blister 1 pc)	W03X0893-41A	16,29 €
Retaining cup (70A to 100A) (blister 1 pc)	W03X0893-42A	16,29 €
Retaining cup (Gouging) (blister 1 pc)	W03X0893-43A	20,29 €
Spacer (blister 2 pcs)	W03X0893-14R	19,96 €
Shield cup (Contact 50A to 60A) (blister 2 pcs)	W03X0893-44A	18,96 €
Shield cup (Contact 70A to 100A) (blister 2 pcs)	W03X0893-45A	19,36 €
Shield cup (gouging) (blister 2 pcs)	W03X0893-48A	18,84 €

Plasma torches LC100M



Description

Plasma torches :

- LC100M Machine torch, air cooled, 7.5m
- LC100M Machine torch, air cooled, 15m

Item Number

Price

- PTM-100A-CX-7M5A 219,96 €
- PTM-100A-CX-15MA 303,45 €

Expendables

Handle	W0300603R	40,31 €
Head	W0300610R	136,96 €
Cooling kit	W03X0893-49R	8,69 €
Cable 7.5m	W0300612R	171,13 €
Cable 15m	W0300614R	302,53 €
Connector	W03X0934-8R	25,56 €
Electrode (blister 5 pcs)	W03X0893-25A	11,04 €
Gas distributor (40A to 60A) (blister 3 pcs)	W03X0893-50R	26,65 €
Gas distributor (70A to 100A and gouging) (blister 3 pcs)	W03X0893-51R	26,65 €
Tip - 40A (blister 5 pcs)	W03X0893-27A	10,58 €
Tip - 50A (blister 5 pcs)	W03X0893-28A	10,58 €
Tip - 60A (blister 5 pcs)	W03X0893-29A	10,58 €
Tip - 70A (blister 5 pcs)	W03X0893-30A	10,96 €
Tip - 80A (blister 5 pcs)	W03X0893-31A	10,96 €
Tip - 100A (blister 5 pcs)	W03X0893-32A	10,96 €
Tip - Shielded 40A (blister 5 pcs)	W03X0893-52A	11,31 €
Tip - Shielded 50A (blister 5 pcs)	W03X0893-33A	11,60 €
Tip - Shielded 60A (blister 5 pcs)	W03X0893-34A	11,60 €
Tip - Shielded 70A (blister 5 pcs)	W03X0893-35A	11,85 €
Tip - Shielded 80A (blister 5 pcs)	W03X0893-36A	11,85 €
Tip - Shielded 100A (blister 5 pcs)	W03X0893-37A	11,85 €
Tip - Gouging (blister 5 pcs)	W03X0893-38A	11,85 €
Retaining cup (40A to 60A & Direct contact 40A) (blister 1 pc)	W03X0893-41A	16,29 €
Retaining cup (70A to 100A) (blister 1 pc)	W03X0893-42A	16,29 €
Retaining cup (Gouging) (blister 1 pc)	W03X0893-43A	20,29 €
Shield cup (Shielded 40A to 60A) (blister 2 pcs)	W03X0893-46A	17,13 €
Shield cup (Shielded 70A to 100A) (blister 2 pcs)	W03X0893-47A	17,27 €
Shield cup (gouging) (blister 2 pcs)	W03X0893-48A	18,84 €

TIG Torches (type 9 / 20)



Description

Item Number

Price

TIG torches :

LT 9 G, air cooled, 110A-DC/80A-AC@35%, 4m	K10513-9-4	68,87 €
LT 9 G, air cooled, 110A-DC/80A-AC@35%, 8m	K10513-9-8	86,15 €
LT 20 W, water cooled, 220A-DC/160A-AC@35%, 4m	K10513-20-4	81,69 €
LT 20 W, water cooled, 220A-DC/160A-AC@35%, 8m	K10513-20-8	102,68 €

Expendables

Accessory kit 1,0-1,6mm (LT9)	KP10516-9	6,89 €
Accessory kit 1,0-1,6mm (LT20)	KP10516-10	6,89 €
1 Short cap	KP10508-1	5,92 €
2 Medium cap	KP10508-2	6,89 €
3 Long cap	KP10508-3	9,07 €
4 O ring	KP10508-4	0,39 €
5 Insulator	KP10510-1	3,94 €
6 Collet 1,0mm	KP10502-10	2,76 €
6 Collet 1,6mm	KP10502-16	2,76 €
6 Collet 2,4mm	KP10502-24	2,76 €
6 Collet 3,2mm	KP10502-32	2,76 €

All prices are exclusive of VAT and are subject to Lincoln Electric standard terms and conditions of sale.
Due to constant improvements Lincoln Electric reserve the right to amend any of the above without notification.

Accessories & Expendables

TIG Torches (type 9 / 20) (Continued)

7	Collet body 1,0mm	KP10504-10	6,70 €
7	Collet body 1,6mm	KP10504-16	6,70 €
7	Collet body 2,4mm	KP10504-24	6,70 €
7	Collet body 3,2mm	KP10504-32	6,70 €
8	Ceramic Nozzle 6,5mm	KP10512-4	2,76 €
8	Ceramic Nozzle 8,0mm	KP10512-5	2,76 €
8	Ceramic Nozzle 9,5mm	KP10512-6	2,76 €
8	Ceramic Nozzle 11,0mm	KP10512-7	2,76 €
8	Ceramic Nozzle 12,5mm	KP10512-8	2,76 €
8	Ceramic Nozzle 16,0mm	KP10512-10	2,76 €
9	Gas lens 1,0mm	KP10506-10	19,32 €
9	Gas lens 1,6mm	KP10506-16	19,32 €
9	Gas lens 2,4mm	KP10506-24	19,32 €
9	Gas lens 3,2mm	KP10506-32	19,32 €
10	Gas lens ceramic Nozzle 6,5mm	KP10513-4	3,55 €
10	Gas lens ceramic Nozzle 8,0mm	KP10513-5	3,55 €
10	Gas lens ceramic Nozzle 9,5mm	KP10513-6	3,55 €
10	Gas lens ceramic Nozzle 11mm	KP10513-7	3,55 €
10	Gas lens ceramic Nozzle 12,5mm	KP10513-8	3,55 €

All prices are given "Price per pack of 10 pcs" except for accessory kits (1 pc)

TIG Torches (type 17 / 18 / 26)



Description

Item Number

Price

TIG torches :

LT 17 GV, air cooled, 140A-DC/100A-AC@35%, 4m, MANUAL VALVE, 10-25 conn.	K10513-17-4VS	68,83 €
LT 17 GV, air cooled, 140A-DC/100A-AC@35%, 8m, MANUAL VALVE, 10-25 conn.	K10513-17-8VS	86,66 €
LT 17 GV, air cooled, 140A-DC/100A-AC@35%, 4m, MANUAL VALVE, 35-50 conn.	K10513-17-4V	68,83 €
LT 17 GV, air cooled, 140A-DC/100A-AC@35%, 8m, MANUAL VALVE, 35-50 conn.	K10513-17-8V	86,66 €
LT 17 G, air cooled, 140A-DC/100A-AC@35%, 4m, ergonomic grip	K10513-17-4	70,91 €
LT 17 G, air cooled, 140A-DC/100A-AC@35%, 8m, ergonomic grip	K10513-17-8	88,74 €
LT 26 G, air cooled, 180A-DC/100A-AC@35%, 4m	K10513-26-4	76,00 €
LT 26 G, air cooled, 180A-DC/100A-AC@35%, 8m	K10513-26-8	99,94 €
LT 18 W, water cooled, 320A-DC/230A-AC@100%, 4m	K10513-18-4	85,65 €
LT 18 W, water cooled, 320A-DC/230A-AC@100%, 8m	K10513-18-8	103,28 €

Expendables

	Accessory kit 1,0-1,6mm (LT17 & LT18)	KP10516-11	8,08 €
	Accessory kit 1,0-1,6mm (LT26)	KP10516-12	8,08 €
1	Short cap	KP10509-1	5,92 €
2	Medium cap	KP10509-2	6,31 €
3	Long cap	KP10509-3	7,09 €
4	O ring	KP10509-4	0,39 €
5	Insulator	KP10511-1	4,14 €

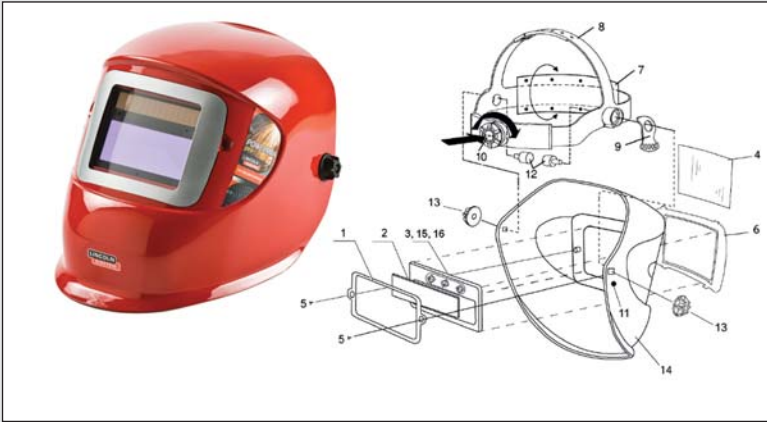
Accessories & Expendables

TIG Torches (type 17 / 18 / 26) (Continued)

6	Collet 1,0mm	KP10503-10	4,33 €
6	Collet 1,6mm	KP10503-16	4,33 €
6	Collet 2,4mm	KP10503-24	4,33 €
6	Collet 3,2mm	KP10503-32	4,33 €
6	Collet 4,0mm	KP10503-40	4,33 €
7	Collet body 1,0mm	KP10505-10	11,83 €
7	Collet body 1,6mm	KP10505-16	11,83 €
7	Collet body 2,4mm	KP10505-24	11,83 €
7	Collet body 3,2mm	KP10505-32	11,83 €
8	Ceramic Nozzle 6,5mm	KP10514-4	3,36 €
8	Ceramic Nozzle 8,0mm	KP10514-5	3,36 €
8	Ceramic Nozzle 9,5mm	KP10514-6	3,36 €
8	Ceramic Nozzle 11,0mm	KP10514-7	3,36 €
8	Ceramic Nozzle 12,5mm	KP10514-8	3,36 €
8	Ceramic Nozzle 16,0mm	KP10514-10	3,36 €
8	Ceramic Nozzle 19,0mm	KP10514-12	3,36 €
9	Insulator	KP10511-1	4,14 €
10	Gas lens 1,0mm	KP10507-10	27,59 €
10	Gas lens 1,6mm	KP10507-16	27,59 €
10	Gas lens 2,4mm	KP10507-24	27,59 €
10	Gas lens 3,2mm	KP10507-32	27,59 €
10	Gas lens 4,0mm	KP10507-40	27,59 €
11	Gas lens ceramic Nozzle 6,5mm	KP10515-4	4,14 €
11	Gas lens ceramic Nozzle 8,0mm	KP10515-5	4,14 €
11	Gas lens ceramic Nozzle 9,5mm	KP10515-6	4,14 €
11	Gas lens ceramic Nozzle 11mm	KP10515-7	4,14 €
11	Gas lens ceramic Nozzle 12,5mm	KP10515-8	4,14 €
11	Gas lens ceramic Nozzle 17,5mm	KP10515-12	4,14 €

All prices are given "Price per pack of 10 pcs" except for accessory kits (1 pc)

Welding helmets Linc Screen



Description

Welding helmets :

Description	Item Number	Price
LS LINC SCREEN	K10550-3	51,08 €
LSS LINC SCREEN SMART	K10550-4	99,23 €
LSP LINC SCREEN PRO	K10550-9	161,69 €

Expendables

LSP Battery AAA	KP10551-9	8,91 €
LS FILTER Scorpion 4/9-13	KP10552-3	54,36 €
LSS FILTER Solex 2400-4/9-13	KP10552-4	85,09 €
LSP FILTER 3N1 GRIND SH4 CUT SH.5 WELD SH. 9-12	KP10552-9	156,00 €
LS/LSS/LSP Anti-spatter Lens, 110x97x1mm	KP10553-1	14,91 €
LS Inner lens 103,5x47x1mm	KP10553-3	8,55 €
LSS Inner lens 107x52x1mm	KP10553-4	11,64 €
LSP Inner lens 109x66x1mm	KP10553-9	11,64 €
LS/LSS Lens retainer	KP10554-1	13,82 €
LSP Lens retainer	KP10554-9	13,82 €
LS/LSS/LSP Headgear	KP10555-1	18,18 €
LS/LSS/LSP Sweat Band	KP10555-2	25,82 €
LS/LSS/LSP Screws	KP10555-5	1,73 €
LS/LSS/LSP Front frame Gloss black	KP10556-1	21,27 €
LS Helmet, replacement for Linc Screen	KP10556-3	43,09 €
LSS Helmet, replacement for Linc Screen Smart	KP10556-4	43,09 €
LSP Helmet, replacement for Linc Screen Pro	KP10556-9	43,09 €

Cellulosic electrodes

Dia x length (mm)	Pieces per pack	Pack per carton	Weight (kg)		Package Type (2)	Sales Unit	Stock (1)	Product Number	Price (€)		
			Pack	Carton					Per kg	Per unit	Per 1000
FLEETWELD 5P+			AWS E6010			ISO E 42 3 C 25			PL : 4111		
2,5x350	325	3	5,0	15,0	Can	PK	A	819184	1,82	9,10	28,00
3,2x350	205	3	5,2	15,6	Can	PK	A	819185	2,26	11,75	57,33
4,0x350	130	3	5,1	15,3	Can	PK	A	819186	1,78	9,08	69,83
5,0x350	83	3	5,1	15,3	Can	PK	A	819187	1,98	10,10	121,66

(1) A: in stock - B: 2 to 4 weeks delivery - C: consult us for delivery time

(2) CB = Carton box ; CB+PF= Carton box + plastic foil ; PB : Plastic box ; SRP = Sahara Ready Pack ; AC = Aluminium can

Electrodes for mild and unalloyed steels

Effective date :
1-March-09
Supersedes :
1-August-08

Rutile electrodes

Dia x length (mm)	Pieces per pack	Pack per carton	Weight (kg)		Package Type (2)	Sales Unit	Stock (1)	Product Number	Price (€)		
			Pack	Carton					Per kg	Per unit	Per 1000
CUMULO			AWS E6013			ISO E 38 0 R 12			PL : 4112		
2,5x350	150	5	2,9	14,5	CB	PK	A	571394	2,59	7,51	50,07
3,2x350	175	3	5,2	15,6	CB	PK	A	502756	2,20	11,44	65,37
4,0x350	115	3	5,3	15,9	CB	PK	A	502862	2,02	10,71	93,10
OMNIA 46			AWS E6013			ISO E 38 0 R 11			PL : 4112		
2,0x300	370	3	4,2	12,6	CB	PK	A	800340	3,32	13,94	37,69
2,5x350	250	3	4,8	14,4	CB	PK	A	800357	1,72	8,26	33,02
2,5x350	250	3	4,8	14,4	CB	PK	A	815535	1,75	8,40	33,60
3,2x350	175	3	5,3	15,9	CB	PK	A	800371	1,43	7,58	43,31
3,2x350	175	3	5,3	15,9	CB	PK	A	815542	1,49	7,90	45,13
3,2x450	150	3	6,2	18,6	CB	PK	A	800364	1,76	10,91	72,75
4,0x350	110	3	5,0	15,0	CB	PK	A	800395	1,44	7,20	65,45
4,0x350	110	3	5,0	15,0	CB	PK	A	815559	1,48	7,40	67,27
4,0x450	95	3	5,9	17,7	CB	PK	A	800388	1,67	9,85	103,72
5,0x450	55	3	5,8	17,4	CB	PK	A	800401	1,84	10,67	194,04
PANTAFIX			AWS E6013			ISO E 38 0 RC 11			PL : 4112		
2,0x300	235	5	2,4	12,0	CB	PK	A	571776	3,72	8,93	37,99
2,5x350	145	5	2,8	14,0	CB	PK	A	571714	1,92	5,38	37,08
3,2x350	155	3	4,8	14,4	CB	PK	A	571752	1,61	7,73	49,86
4,0x350	120	3	5,4	16,2	CB	PK	A	571769	1,69	9,13	76,05
SUPRA			AWS E6012			ISO E 38 0 RC 11			PL : 4112		
2,5x350	145	5	2,8	14,0	CB	PK	A	504842	2,49	6,97	48,08
3,2x350	180	3	5,0	15,0	CB	PK	A	504859	2,04	10,20	56,67
4,0x350	120	3	5,0	15,0	CB	PK	A	504866	1,81	9,05	75,42
5,0x350	80	3	5,2	15,6	CB	PK	A	505061	1,74	9,05	113,10
UNIVERSALIS			AWS E6013			ISO E 42 0 RR 12			PL : 4112		
2,0x300	200	5	2,4	12,0	CB	PK	A	818284	4,24	10,18	50,88
2,5x350	130	5	2,8	14,0	CB	PK	A	818291	2,60	7,28	56,00
3,2x350	140	3	4,8	14,4	CB	PK	A	818307	2,31	11,09	79,20
3,2x450	125	3	5,8	17,4	CB	PK	A	818314	2,49	14,44	115,54
4,0x450	80	3	5,9	17,7	CB	PK	A	818321	2,30	13,57	169,63

(1) A: in stock - B: 2 to 4 weeks delivery - C: consult us for delivery time

(2) CB = Carton box ; CB+PF= Carton box + plastic foil ; PB : Plastic box ; SRP = Sahara Ready Pack ; AC = Aluminium can

Electrodes for mild and unalloyed steels

Effective date :
1-March-09
Supersedes :
1-August-08

Rutile electrodes high recovery

Dia x length (mm)	Pieces per pack	Pack per carton	Weight (kg)		Package Type (2)	Sales Unit	Stock (1)	Product Number	Price (€)		
			Pack	Carton					Per kg	Per unit	Per 1000
FERROD 135T			<i>AWS E7024</i>			<i>ISO E 38 0 RR 53</i>			<i>PL : 4113</i>		
3,2x450	90	3	5,5	16,5	CB	PK	A	511017	2,21	12,16	135,06
4,0x450	65	3	5,7	17,1	CB	PK	A	511116	2,19	12,48	192,05
5,0x450	45	3	5,9	17,7	CB	PK	A	511222	2,13	12,57	279,27
FERROD 165A			<i>AWS E7024 -1</i>			<i>ISO E 42 2 RA 73</i>			<i>PL : 4113</i>		
3,2x450	99	3	6,1	18,3	CB+PF	PK	A	599534	2,48	15,11	152,67
4,0x450	60	3	5,6	16,8	CB+PF	PK	A	599541	2,19	12,26	204,40
5,0x450	41	3	6,0	18,0	CB+PF	PK	A	599596	2,05	12,30	300,00
FERROD 160T			<i>AWS E7024</i>			<i>ISO E 42 0 RR 73</i>			<i>PL : 4113</i>		
3,2x450	85	3	5,6	16,8	CB+PF	PK	A	810615	2,23	12,49	146,92
4,0x450	60	3	6,3	18,9	CB+PF	PK	A	809893	2,19	13,80	229,95
5,0x450	40	3	6,1	18,3	CB+PF	PK	A	810240	2,16	13,18	329,40
GONIA 180			<i>AWS E7024</i>			<i>ISO E 42 0 RR 73</i>			<i>PL : 4113</i>		
4,0x450	55	3	5,8	17,4	CB+PF	PK	A	556834	2,40	13,92	253,09
5,0x450	35	3	5,8	17,4	CB+PF	PK	A	556841	2,41	13,98	399,37
6,3x450	23	3	5,7	17,1	CB+PF	PK	A	556858	2,67	15,22	661,70

(1) A: in stock - B: 2 to 4 weeks delivery - C: consult us for delivery time

(2) CB = Carton box ; CB+PF= Carton box + plastic foil ; PB : Plastic box ; SRP = Sahara Ready Pack ; AC = Aluminium can

All prices are exclusive of VAT and are subject to Lincoln Electric standard terms and conditions of sales.
Due to constant improvements, Lincoln Electric reserve the right to amend any of the above without notification.

LINCOLN[®]
ELECTRIC

121

Electrodes for mild and unalloyed steels

Effective date :
1-March-09
Supersedes :
1-August-08

Basic electrodes

Dia x length (mm)	Pieces per pack	Pack per carton	Weight (kg)		Package Type (2)	Sales Unit	Stock (1)	Product Number	Price (€)		
			Pack	Carton					Per kg	Per unit	Per 1000
BASO 100			AWS E7016 H4R			ISO E 42 3 B 12 H5			PL : 4114		
2,5x350	135	5	2,5	12,5	CB+PF	PK	A	570175	3,00	7,50	55,56
3,2x350	120	3	4,3	12,9	CB+PF	PK	A	570182	2,69	11,57	96,39
4,0x350	90	3	4,8	14,4	CB+PF	PK	A	570298	2,61	12,53	139,20
5,0x450	65	3	6,3	18,9	CB+PF	PK	B	569858	2,37	14,93	229,71
BASO 120			AWS E7018 H4R			ISO E 42 3 B 32 H5			PL : 4114		
2,5x350	135	5	2,5	12,5	CB+PF	PK	A	570496	3,00	7,50	55,56
3,2x350	120	3	4,5	13,5	CB+PF	PK	A	570526	2,23	10,04	83,63
3,2x450	120	3	6,0	18,0	CB+PF	PK	B	570519	2,37	14,22	118,50
4,0x350	85	3	4,6	13,8	CB+PF	PK	C	570632	2,07	9,52	112,02
4,0x450	85	3	5,9	17,7	CB+PF	PK	A	570625	2,01	11,86	139,52
5,0x450	55	3	6,0	18,0	CB+PF	PK	B	570748	1,97	11,82	214,91
BASO 26V			AWS E 7048 H8			ISO E 42 3 B 15 H10			PL : 4114		
3,2x450	150	3	6,1	18,3	CB+PF	PK	B	599671	2,43	14,84	98,96
4,0x450	100	3	6,2	18,6	CB+PF	PK	B	599688	2,23	13,83	138,26
5,0x450	70	3	6,7	20,1	CB+PF	PK	A	599695	2,08	13,94	199,09
BASO 48SP			AWS E7018-1 H8			ISO E 46 3 B 32 H10			PL : 4114		
2,5x350	125	5	2,5	12,5	CB+PF	PK	A	570977	3,16	7,90	63,20
2,5x350	44	12	0,9	10,8	SRP	PK	C	571837	3,90	3,51	79,77
3,2x350	78	5	2,6	13,0	CB+PF	PK	A	570984	2,59	6,73	86,33
3,2x350	51	8	1,8	14,4	SRP	PK	C	571844	3,25	5,85	114,71
3,2x450	78	5	3,3	16,5	CB+PF	PK	A	570991	2,65	8,75	112,12
4,0x350	27	8	1,4	11,2	SRP	PK	C	571851	3,38	4,73	175,26
4,0x350	50	5	2,5	12,5	CB+PF	PK	A	571857	2,42	6,05	121,00
4,0x450	50	5	3,4	17,0	CB+PF	PK	A	571004	2,55	8,67	173,40
5,0x450	50	3	5,5	16,5	CB+PF	PK	C	571011	2,91	16,01	320,22
BASO 49			AWS E7018 H4			ISO E 46 3 B 32 H5			PL : 4114		
2,5x350	175	3	3,9	11,7	CB+PF	PK	A	816754	2,12	8,27	47,25
3,2x350	115	3	4,0	12,0	CB+PF	PK	C	816761	1,88	7,52	65,39
3,2x450	115	3	5,2	15,6	CB+PF	PK	C	817195	2,09	10,87	94,50
4,0x350	85	3	4,6	13,8	CB+PF	PK	A	817188	2,24	10,30	121,22
4,0x450	85	3	5,7	17,1	CB+PF	PK	A	816723	1,81	10,32	121,38
5,0x450	55	3	6,0	18,0	CB+PF	PK	A	817225	2,26	13,56	246,55
BASO 51P			AWS E7018-1			ISO E 46 3 B 32			PL : 4114		
2,5x350	215	3	4,2	12,6	CB+PF	PK	A	816921	2,30	9,66	44,93
3,2x350	130	3	4,2	12,6	CB+PF	PK	A	816938	2,57	10,79	83,03
3,2x450	120	3	5,1	15,3	CB+PF	PK	C	816945	2,09	10,66	88,83
4,0x350	80	3	4,0	12,0	CB+PF	PK	A	816952	2,56	10,24	128,00
4,0x450	80	3	5,2	15,6	CB+PF	PK	A	816969	2,05	10,66	133,25
5,0x450	55	3	5,5	16,5	CB+PF	PK	A	816976	2,32	12,76	232,00

(1) A: in stock - B: 2 to 4 weeks delivery - C: consult us for delivery time

(2) CB = Carton box ; CB+PF= Carton box + plastic foil ; PB : Plastic box ; SRP = Sahara Ready Pack ; AC = Aluminium can

Electrodes for mild and unalloyed steels

Effective date :
1-March-09
Supersedes :
1-August-08

Basic electrodes (continued)

Dia x length (mm)	Pieces per pack	Pack per carton	Weight (kg)		Package Type (2)	Sales Unit	Stock (1)	Product Number	Price (€)		
			Pack	Carton					Per kg	Per unit	Per 1000
BASO G			<i>AWS E7018-1 HAR</i>			<i>ISO E 42 5 B 32 H5</i>			<i>PL : 4114</i>		
2,0x300	180	5	2,1	10,5	CB+PF	PK	C	570793	4,29	9,01	50,05
2,0x300	53	14	0,6	8,4	SRP	PK	C	511796	6,15	3,69	69,62
2,5x350	135	5	2,8	14,0	CB+PF	PK	A	570823	3,03	8,48	62,84
2,5x350	69	10	1,4	14,0	SRP	PK	A	511819	4,03	5,64	81,77
3,2x350	120	3	4,4	13,2	CB+PF	PK	A	570762	2,51	11,04	92,03
3,2x350	50	8	2,0	16,0	SRP	PK	A	511918	3,10	6,20	124,00
3,2x450	120	3	5,8	17,4	CB+PF	PK	A	570809	2,48	14,38	119,87
3,2x450	50	8	2,5	20,0	SRP	PK	A	511925	2,97	7,43	148,50
4,0x350	85	3	4,7	14,1	CB+PF	PK	B	570779	2,32	10,90	128,28
4,0x350	28	8	1,6	12,8	SRP	PK	C	511901	3,13	5,01	178,86
4,0x450	85	3	5,9	17,7	CB+PF	PK	A	570816	2,36	13,92	163,81
4,0x450	28	8	2,0	16,0	SRP	PK	C	511888	3,03	6,06	216,43
5,0x450	55	3	6,0	18,0	CB+PF	PK	B	570786	2,19	13,14	238,91
5,0x450	23	8	2,6	20,8	SRP	PK	A	511857	2,66	6,92	300,70
CONARC 48			<i>AWS E7018-1 HAR</i>			<i>ISO E 46 4 B 42 H5</i>			<i>PL : 4114</i>		
2,0x300	146	5	1,9	9,5	CB+PF	PK	B	503609	3,58	6,80	46,56
2,5x350	110	5	2,5	12,5	CB+PF	PK	A	503616	2,39	5,98	54,32
3,2x350	146	3	5,0	15,0	CB+PF	PK	C	503623	2,62	13,11	89,80
3,2x450	110	3	5,7	17,1	CB+PF	PK	A	503630	2,06	11,72	106,52
4,0x450	82	3	6,0	18,0	CB+PF	PK	A	503652	1,96	11,73	143,09
5,0x450	58	3	6,3	18,9	CB+PF	PK	B	503661	1,84	11,62	200,34
CONARC 49			<i>AWS E7018 HAR</i>			<i>ISO E 46 3 B 32 H5</i>			<i>PL : 4114</i>		
2,5x350	118	5	2,7	13,5	CB+PF	PK	A	546972	2,52	6,80	57,66
3,2x350	120	3	4,5	13,5	CB+PF	PK	A	508581	2,09	9,40	78,33
4,0x350	85	3	4,6	13,8	CB+PF	PK	A	508697	1,94	8,94	105,23
4,0x450	85	3	5,9	17,7	CB+PF	PK	A	508703	1,92	11,34	133,42
5,0x450	55	3	6,0	18,0	CB+PF	PK	A	508802	1,82	10,93	198,79
6,0x450	46	3	6,5	19,5	CB+PF	PK	A	509137	2,18	14,16	307,73
CONARC 49C			<i>AWS E7018-1 HAR</i>			<i>ISO E 46 4 B 32 H5</i>			<i>PL : 4114</i>		
2,5x350	135	5	2,7	13,5	CB+PF	PK	A	509236	3,06	8,26	61,20
2,5x350	70	10	1,4	14,0	SRP	PK	A	511420	3,78	5,29	75,60
3,0x350	80	5	2,4	12,0	CB+PF	PK	B	509212	2,81	6,75	84,33
3,0x350	54	8	1,5	12,0	SRP	PK	A	511451	3,62	5,43	100,62
3,2x350	120	3	4,4	13,2	CB+PF	PK	A	509243	2,37	10,43	86,90
3,2x350	50	8	2,0	16,0	SRP	PK	A	511437	3,13	6,26	125,20
3,2x450	120	3	5,8	17,4	CB+PF	PK	A	509250	2,32	13,46	112,13
3,2x450	50	8	2,5	20,0	SRP	PK	A	511475	2,97	7,43	148,50
4,0x350	85	3	4,7	14,1	CB+PF	PK	A	509359	2,19	10,29	121,09
4,0x350	28	8	1,6	12,8	SRP	PK	A	511505	3,16	5,06	180,57
4,0x450	85	3	5,9	17,7	CB+PF	PK	A	509366	2,19	12,92	152,01
4,0x450	28	8	2,0	16,0	SRP	PK	A	511536	3,03	6,06	216,43
5,0x450	55	3	6,0	18,0	CB+PF	PK	A	509465	2,05	12,30	223,64

(1) A: in stock - B: 2 to 4 weeks delivery - C: consult us for delivery time

(2) CB = Carton box ; CB+PF= Carton box + plastic foil ; PB : Plastic box ; SRP = Sahara Ready Pack ; AC = Aluminium can

All prices are exclusive of VAT and are subject to Lincoln Electric standard terms and conditions of sales.
Due to constant improvements, Lincoln Electric reserve the right to amend any of the above without notification.

LINCOLN[®]
ELECTRIC

123

Electrodes for mild and unalloyed steels

Effective date :
1-March-09
Supersedes :
1-August-08

Basic electrodes (continued)

Dia x length (mm)	Pieces per pack	Pack per carton	Weight (kg)		Package Type (2)	Sales Unit	Stock (1)	Product Number	Price (€)		
			Pack	Carton					Per kg	Per unit	Per 1000
CONARC 49C (continued)			AWS E7018-1 H4R			ISO E 46 4 B 32 H5			PL : 4114		
5,0x450	23	8	2,6	20,8	SRP	PK	A	511529	2,68	6,97	302,96
6,0x450	46	3	6,5	19,5	CB+PF	PK	B	578539	2,18	14,16	307,73
6,0x450	21	6	3,0	18,0	SRP	PK	C	511512	2,71	8,13	387,14
CONARC 51			AWS E7016-1 H4R			ISO E 42 4 B 12 H5			PL : 4114		
2,5x350	135	5	2,7	13,5	CB+PF	PK	B	509816	3,06	8,26	61,20
2,5x350	70	10	1,4	14,0	SRP	PK	A	511567	4,02	5,63	80,40
3,2x350	150	3	4,7	14,1	CB+PF	PK	A	509823	2,62	12,31	82,09
3,2x350	56	8	1,8	14,4	SRP	PK	A	511581	3,28	5,90	105,43
3,2x450	151	3	6,0	18,0	CB+PF	PK	C	509885	2,56	15,36	101,72
3,2x450	56	8	2,3	18,4	SRP	PK	C	509892	3,13	7,20	128,55
4,0x350	100	3	4,6	13,8	CB+PF	PK	A	509847	2,33	10,72	107,18
4,0x350	30	8	1,4	11,2	SRP	PK	B	511611	3,29	4,61	153,53
4,0x450	96	3	6,0	18,0	CB+PF	PK	C	509878	2,30	13,80	143,75
4,0x450	30	8	1,8	14,4	SRP	PK	C	509908	3,10	5,58	186,00
5,0x450	55	3	6,0	18,0	CB+PF	PK	C	509861	2,05	12,30	223,64
5,0x450	23	8	2,6	20,8	SRP	PK	A	511628	2,85	7,41	322,17
LINCOLN 7018-1			AWS E7018-1			ISO E 42 4 B 22 H5			PL : 4114		
2,5x350	175	3	3,9	11,7	CB+PF	PK	A	807554	1,76	6,86	39,22
3,2x350	115	3	4,0	12,0	CB+PF	PK	A	805864	1,61	6,44	56,00
3,2x450	115	3	5,2	15,6	CB+PF	PK	A	805871	1,65	8,58	74,61
4,0x350	80	3	4,1	12,3	CB+PF	PK	A	805895	1,66	6,81	85,08
4,0x450	80	3	5,3	15,9	CB+PF	PK	A	805918	1,63	8,64	107,99
5,0x450	55	3	5,6	16,8	CB+PF	PK	A	805925	1,75	9,80	178,18

(1) A: in stock - B: 2 to 4 weeks delivery - C: consult us for delivery time

(2) CB = Carton box ; CB+PF= Carton box + plastic foil ; PB : Plastic box ; SRP = Sahara Ready Pack ; AC = Aluminium can

Electrodes for mild and unalloyed steels

Effective date :
1-March-09
Supersedes :
1-August-08

Basic electrodes high recovery

Dia x length (mm)	Pieces per pack	Pack per carton	Weight (kg)		Package Type (2)	Sales Unit	Stock (1)	Product Number	Price (€)		
			Pack	Carton					Per kg	Per unit	Per 1000
CONARC L150			AWS E7028 H4R			ISO E 42 2 B 53 H5			PL : 4115		
4,0x450	55	3	5,3	15,9	CB+PF	PK	B	554564	2,36	12,51	227,42
4,0x450	23	8	2,6	20,8	SRP	PK	A	554509	2,81	7,31	317,65
5,0x450	35	3	5,2	15,6	CB+PF	PK	B	554670	2,64	13,75	392,89
5,0x450	18	8	2,7	21,6	SRP	PK	C	554540	3,39	9,15	508,33
CONARC V180			AWS E7028 H4R			ISO E 42 4 B 73 H5			PL : 4115		
3,2x450	27	8	2,0	16,0	SRP	PK	B	511994	3,37	6,73	249,38
4,0x450	60	3	6,0	18,0	CB+PF	PK	B	555011	2,46	14,76	246,00
4,0x450	23	8	2,4	19,2	SRP	PK	A	512137	2,98	7,15	310,96
5,0x450	40	3	6,1	18,3	CB+PF	PK	A	555028	2,56	15,59	389,72
5,0x450	19	6	2,8	16,8	SRP	PK	A	512144	2,96	8,29	436,21
6,3x450	23	3	5,4	16,2	CB+PF	PK	C	555035	2,91	15,72	683,48
6,3x450	8	10	1,9	19,0	SRP	PK	C	512021	3,47	6,59	823,33
CONARC V 250			AWS E7028-H4R			ISO E 42 4 B 73 H5			PL : 4115		
4,0x450	42	3	5,9	17,7	CB+PF	PK	B	555125	3,09	18,22	433,92
5,0x450	26	3	5,8	17,4	CB+PF	PK	A	555132	3,31	19,20	738,63
6,0x450	19	3	5,8	17,4	CB+PF	PK	B	555156	3,08	17,85	939,53

(1) A: in stock - B: 2 to 4 weeks delivery - C: consult us for delivery time

(2) CB = Carton box ; CB+PF= Carton box + plastic foil ; PB : Plastic box ; SRP = Sahara Ready Pack ; AC = Aluminium can

All prices are exclusive of VAT and are subject to Lincoln Electric standard terms and conditions of sales.
Due to constant improvements, Lincoln Electric reserve the right to amend any of the above without notification.

LINCOLN®
ELECTRIC

125

Electrodes for low alloyed steels

Effective date :
1-March-09
Supersedes :
1-August-08

Cellulosic electrodes

Dia x length (mm)	Pieces per pack	Pack per carton	Weight (kg)		Package Type (2)	Sales Unit	Stock (1)	Product Number	Price (€)		
			Pack	Carton					Per kg	Per unit	Per 1000
SHIELD ARC 70+			AWS E8010-G			ISO E 46 4 1Ni C 25			PL : 4121		
3,2x350	200	3	5,1	15,3	Can	PK	A	819192	2,40	12,24	61,20
4,0x350	130	3	5,1	15,3	Can	PK	A	819193	2,46	12,55	96,51
4,8x350	95	3	5,4	16,2	Can	PK	A	819194	2,21	11,93	125,62
SHIELD ARC HYP+			AWS E 7010-P1			ISO E 42 2 Mo C 25			PL : 4121		
3,2x350	210	3	5,4	16,2	Can	PK	A	819195	2,25	12,15	57,86
4,0x350	135	3	5,4	16,2	Can	PK	A	819196	2,14	11,56	85,60
4,8x350	89	3	5,1	15,3	Can	PK	A	819197	2,13	10,86	122,06
SHIELD ARC 6P+			AWS E6010			ISO E 42 3 C 25			PL : 4121		
3,2x350	205	3	5,2	15,6	Can	PK	A	819176	1,89	9,83	47,94
4,0x350	130	3	5,1	15,3	Can	PK	A	819177	1,89	9,64	74,15
SHIELD ARC 7P+			AWS E7010-P1/E7010-G			ISO E 42 3 Z C 25			PL : 4121		
4,0x350	120	3	4,7	14,1	Can	PK	A	819182	2,08	9,78	81,47
5,0x350	80	3	5,0	15,0	Can	PK	A	819183	2,28	11,40	142,50
SHIELD ARC 8P+			AWS E8010-P1			ISO E 46 4 1Ni C 25			PL : 4121		
4,0x350	120	3	4,7	14,1	Can	PK	A	819178	2,04	9,59	79,90
5,0x350	80	3	5,0	15,0	Can	PK	A	819179	2,28	11,40	142,50

(1) A: in stock - B: 2 to 4 weeks delivery - C: consult us for delivery time

(2) CB = Carton box ; CB+PF= Carton box + plastic foil ; PB : Plastic box ; SRP = Sahara Ready Pack ; AC = Aluminium can

All prices are exclusive of VAT and are subject to Lincoln Electric standard terms and conditions of sales.
Due to constant improvements, Lincoln Electric reserve the right to amend any of the above without notification.

LINCOLN[®]
ELECTRIC

Electrodes for low alloyed steels

Effective date :
1-March-09
Supersedes :
1-August-08

High strength / Wear resistant electrodes

Dia x length (mm)	Pieces per pack	Pack per carton	Weight (kg)		Package Type (2)	Sales Unit	Stock (1)	Product Number	Price (€)		
			Pack	Carton					Per kg	Per unit	Per 1000
CONARC 55CT			AWS E8018-W2-H4R			ISO E 46 5 Z Mn1Ni B 32 H5			PL : 4122		
2,5x350	69	10	1,4	14,0	SRP	PK	C	523522	4,12	5,77	83,59
3,2x350	50	8	1,9	15,2	SRP	PK	C	523539	3,72	7,07	141,44
4,0x350	27	8	1,5	12,0	SRP	PK	C	523546	4,13	6,20	229,63
5,0x450	23	8	2,5	20,0	SRP	PK	C	523553	3,76	9,39	408,21
CONARC 60G			AWS E9018M-H4			EN E 55 4 Z B 32 H5			PL : 4122		
2,5x350	110	5	2,5	12,5	CB+PF	PK	B	515053	3,58	8,95	81,36
2,5x350	65	10	1,4	14,0	SRP	PK	B	523614	4,38	6,13	94,34
3,2x350	120	3	4,6	13,8	CB+PF	PK	B	515060	3,29	15,13	126,12
3,2x350	50	8	2,0	16,0	SRP	PK	B	523652	3,78	7,56	151,20
4,0x350	85	3	4,6	13,8	CB+PF	PK	B	515077	3,14	14,44	169,93
4,0x350	28	8	1,5	12,0	SRP	PK	B	523645	3,87	5,81	207,32
5,0x450	55	3	5,8	17,4	CB+PF	PK	B	515084	3,10	17,98	326,91
5,0x450	23	8	2,6	20,8	SRP	PK	B	523638	3,49	9,07	394,52
CONARC 70G			AWS E9018-G-H4			EN E 55 4 1NiMo B 32 H5			PL : 4122		
2,5x350	110	5	2,5	12,5	CB+PF	PK	B	515107	3,46	8,65	78,64
2,5x350	64	10	1,5	15,0	SRP	PK	B	523706	4,19	6,29	98,20
3,2x350	120	3	4,6	13,8	CB+PF	PK	A	515114	3,17	14,58	121,52
3,2x350	50	8	2,0	16,0	SRP	PK	A	523737	3,67	7,34	146,80
4,0x350	85	3	4,6	13,8	CB+PF	PK	A	515145	3,00	13,80	162,35
4,0x350	28	8	1,5	12,0	SRP	PK	A	523713	3,74	5,61	200,36
5,0x450	55	3	5,8	17,4	CB+PF	PK	A	515138	2,91	16,88	306,87
5,0x450	23	8	2,4	19,2	SRP	PK	B	523720	3,41	8,18	355,83
CONARC 80			AWS E11018M-H4			EN E 69 5 Z B 32 H5			PL : 4122		
2,5x350	225	3	4,4	13,2	CB+PF	PK	A	523843	3,97	17,47	77,64
2,5x350	70	10	1,4	14,0	SRP	PK	B	523799	5,12	7,17	102,40
3,2x350	120	3	4,5	13,5	CB+PF	PK	A	523850	3,59	16,16	134,63
3,2x350	50	8	1,9	15,2	SRP	PK	A	523836	4,35	8,27	165,30
4,0x350	90	3	5,0	15,0	CB+PF	PK	A	523867	3,46	17,30	192,22
4,0x350	28	8	1,5	12,0	SRP	PK	A	523829	4,44	6,66	237,86
5,0x450	60	3	6,3	18,9	CB+PF	PK	B	523874	3,38	21,29	354,90
5,0x450	23	8	2,5	20,0	SRP	PK	C	523812	3,93	9,83	427,17
CONARC 85			AWS E12018-G-H4R			EN E 69 5 Mn2NiCrMo B 32 H5			PL : 4122		
3,2x350	50	8	1,9	15,2	SRP	PK	A	523881	4,19	7,96	159,22
4,0x350	28	8	1,5	12,0	SRP	PK	B	523898	4,36	6,54	233,57
5,0x450	23	8	2,5	20,0	SRP	PK	C	523904	3,83	9,58	416,30

(1) A: in stock - B: 2 to 4 weeks delivery - C: consult us for delivery time

(2) CB = Carton box ; CB+PF= Carton box + plastic foil ; PB : Plastic box ; SRP = Sahara Ready Pack ; AC = Aluminium can

Electrodes for low alloyed steels

Effective date :
1-March-09
Supersedes :
1-August-08

Creep resistant electrodes

Dia x length (mm)	Pieces per pack	Pack per carton	Weight (kg)		Package Type (2)	Sales Unit	Stock (1)	Product Number	Price (€)		
			Pack	Carton					Per kg	Per unit	Per 1000
SL 12G			AWS E7018-A1-H4R			EN E Mo B 32 H5			PL : 4123		
2,5x350	110	5	2,5	12,5	CB+PF	PK	A	516999	3,06	7,65	69,55
2,5x350	67	10	1,4	14,0	SRP	PK	B	523973	3,87	5,42	80,87
3,2x350	120	3	4,5	13,5	CB+PF	PK	A	516968	2,69	12,11	100,88
3,2x350	50	8	2,0	16,0	SRP	PK	A	524017	3,22	6,44	128,80
4,0x350	85	3	4,7	14,1	CB+PF	PK	A	516975	2,59	12,17	143,21
4,0x350	28	8	1,5	12,0	SRP	PK	A	524000	3,38	5,07	181,07
5,0x450	55	3	6,0	18,0	CB+PF	PK	A	516982	2,58	15,48	281,45
5,0x450	23	8	2,6	20,8	SRP	PK	A	523997	2,98	7,75	336,87
SL 19G			AWS E8018-B2-H4			EN E CrMo1 B 32 H5			PL : 4123		
2,5x350	110	5	2,6	13,0	CB+PF	PK	B	518221	4,29	11,15	101,40
2,5x350	67	10	1,4	14,0	SRP	PK	B	524062	5,05	7,07	105,52
3,2x350	120	3	4,6	13,8	CB+PF	PK	B	518238	3,61	16,61	138,38
3,2x350	50	8	2,0	16,0	SRP	PK	A	524109	4,12	8,24	164,80
4,0x350	85	3	4,7	14,1	CB+PF	PK	B	518245	3,55	16,69	196,29
4,0x350	28	8	1,5	12,0	SRP	PK	A	524093	4,28	6,42	229,29
5,0x450	55	3	6,1	18,3	CB+PF	PK	B	518252	3,46	21,11	383,75
5,0x450	23	8	2,6	20,8	SRP	PK	B	524086	3,87	10,06	437,48
SL 19G(STC)			AWS E8018-B2-H4			EN E CrMo1 B 32 H5			PL : 4123		
2,5x350	69	10	1,4	14,0	SRP	PK	C	524079	5,52	7,73	112,05
3,2x350	51	8	2,0	16,0	SRP	PK	C	21501123	3,78	7,56	148,24
4,0x350	28	8	1,5	12,0	SRP	PK	C	21501124	3,90	5,85	208,93
SL 20G			AWS E9018-B3-H4			EN E CrMo2 B 32 H5			PL : 4123		
2,5x350	110	5	2,6	13,0	CB+PF	PK	B	519129	4,56	11,84	107,68
2,5x350	67	10	1,4	14,0	SRP	PK	B	524154	5,39	7,54	112,60
3,2x350	120	3	4,7	14,1	CB+PF	PK	B	519136	3,96	18,61	155,10
3,2x350	50	8	2,0	16,0	SRP	PK	B	524192	4,45	8,90	178,00
4,0x350	85	3	4,8	14,4	CB+PF	PK	B	519143	3,90	18,72	220,24
4,0x350	28	8	1,5	12,0	SRP	PK	B	524185	4,66	6,99	249,64
5,0x450	55	3	6,2	18,6	CB+PF	PK	B	519150	3,87	23,99	436,25
5,0x450	23	8	2,6	20,8	SRP	PK	C	524178	4,28	11,13	483,83
SL 20G(STC)			AWS E9018-B3-H4			EN E CrMo2 B 32 H5			PL : 4123		
5,0x450	23	8	2,6	20,8	SRP	PK	C	21501129	4,31	11,21	487,22
SL 22G			AWS E8018-B1-H4			EN E Z B 32 H5			PL : 4123		
2,5x350	67	10	1,4	14,0	SRP	PK	C	524246	4,37	6,11	91,24
3,2x350	50	8	2,0	16,0	SRP	PK	C	524284	3,33	6,66	133,20
4,0x350	28	8	1,5	12,0	SRP	PK	C	524277	3,48	5,22	186,43
5,0x450	23	8	2,6	20,8	SRP	PK	C	524260	3,03	7,88	342,52

(1) A: in stock - B: 2 to 4 weeks delivery - C: consult us for delivery time

(2) CB = Carton box ; CB+PF= Carton box + plastic foil ; PB : Plastic box ; SRP = Sahara Ready Pack ; AC = Aluminium can

All prices are exclusive of VAT and are subject to Lincoln Electric standard terms and conditions of sales.
Due to constant improvements, Lincoln Electric reserve the right to amend any of the above without notification.

LINCOLN®
ELECTRIC

129

Creep resistant electrodes (continued)

Dia x length (mm)	Pieces per pack	Pack per carton	Weight (kg)		Package Type (2)	Sales Unit	Stock (1)	Product Number	Price (€)		
			Pack	Carton					Per kg	Per unit	Per 1000
SL 502			AWS E8018-B6-H4R			EN E CrMo5 B 32 H5			PL : 4123		
2,5x350	67	10	1,4	14,0	SRP	PK	B	524307	5,51	7,72	115,16
3,2x350	52	8	1,9	15,2	SRP	PK	B	524321	4,56	8,66	166,45
4,0x350	29	8	1,6	12,8	SRP	PK	B	524338	5,01	8,02	276,48
SL 9Cr(P91)			AWS E9016-B9-H4			EN E CrMo91 B 32 H5			PL : 4123		
2,5x350	69	10	1,4	14,0	SRP	PK	B	525700	6,69	9,36	135,72
3,2x350	50	8	1,8	14,4	SRP	PK	B	525724	5,79	10,42	208,44
4,0x350	28	8	1,5	12,0	SRP	PK	B	525731	6,17	9,26	330,54
5,0x450	23	3	2,4	7,2	SRP	PK	C	525748	5,47	13,13	570,78

(1) A: in stock - B: 2 to 4 weeks delivery - C: consult us for delivery time

(2) CB = Carton box ; CB+PF= Carton box + plastic foil ; PB : Plastic box ; SRP = Sahara Ready Pack ; AC = Aluminium can

Electrodes for low alloyed steels

Effective date :
1-March-09
Supersedes :
1-August-08

Low temperature electrodes

Dia x length (mm)	Pieces per pack	Pack per carton	Weight (kg)		Package Type (2)	Sales Unit	Stock (1)	Product Number	Price (€)		
			Pack	Carton					Per kg	Per unit	Per 1000
KRYO 1											
<i>AWS E7018-G-H4R (meet also AWS A5.E8018-G-H4R)</i>					<i>ISO E 50 6 Mn1Ni B 32 H5</i>			<i>PL : 4124</i>			
2,5x350	135	5	2,7	13,5	CB+PF	PK	B	515657	3,19	8,61	63,80
2,5x350	70	10	1,4	14,0	SRP	PK	A	524383	3,97	5,56	79,40
3,0x350	90	5	2,8	14,0	CB+PF	PK	C	515640	2,96	8,29	92,09
3,0x350	54	8	1,5	12,0	SRP	PK	B	524413	3,64	5,46	101,11
3,2x350	120	3	4,7	14,1	CB+PF	PK	B	515664	2,77	13,02	108,49
3,2x350	50	8	1,9	15,2	SRP	PK	A	524390	3,32	6,31	126,16
3,2x450	120	3	5,8	17,4	CB+PF	PK	B	578508	2,77	16,07	133,88
3,2x450	50	8	2,4	19,2	SRP	PK	A	524437	3,22	7,73	154,56
4,0x350	85	3	4,4	13,2	CB+PF	PK	B	515671	2,74	12,06	141,84
4,0x350	28	8	1,5	12,0	SRP	PK	A	524468	3,48	5,22	186,43
4,0x450	85	3	5,9	17,7	CB+PF	PK	A	578515	2,69	15,87	186,72
4,0x450	28	8	2,0	16,0	SRP	PK	A	524499	3,29	6,58	235,00
5,0x450	55	3	5,7	17,1	CB+PF	PK	B	515688	2,61	14,88	270,49
5,0x450	23	8	2,5	20,0	SRP	PK	A	524475	3,03	7,58	329,35
KRYO 1-180											
<i>AWS E8018-G-H4R</i>					<i>ISO E 50 5 1Ni B 73 H5</i>			<i>PL : 4124</i>			
3,2x450	27	8	2,0	16,0	SRP	PK	B	524765	3,95	7,90	292,59
4,0x450	23	8	2,4	19,2	SRP	PK	A	524734	3,12	7,49	325,57
5,0x450	19	6	2,8	16,8	SRP	PK	A	524772	3,20	8,96	471,58
KRYO 1P											
<i>AWS E 8018-G-H4R</i>					<i>ISO E 50 6 Mn1Ni B 32 H5</i>			<i>PL : 4124</i>			
2,5x350	135	5	2,7	13,5	CB+PF	PK	C	519297	3,16	8,53	63,20
2,5x350	70	10	1,4	14,0	SRP	PK	B	519211	3,96	5,54	79,20
3,2x350	120	3	4,7	14,1	CB+PF	PK	C	519303	2,77	13,02	108,49
3,2x350	50	8	1,9	15,2	SRP	PK	B	519181	3,32	6,31	126,16
3,2x450	120	3	5,8	17,4	CB+PF	PK	C	519310	2,77	16,07	133,88
3,2x450	50	8	2,0	16,0	SRP	PK	B	519273	3,36	6,72	134,40
4,0x350	28	8	1,5	12,0	SRP	PK	C	519198	3,48	5,22	186,43
4,0x450	85	3	5,9	17,7	CB+PF	PK	C	519334	2,69	15,87	186,72
4,0x450	28	8	2,0	16,0	SRP	PK	C	519280	3,29	6,58	235,00
5,0x450	55	3	5,7	17,1	CB+PF	PK	C	519341	2,61	14,88	270,49
5,0x450	23	8	2,5	20,0	SRP	PK	C	519204	3,04	7,60	330,43
KRYO 2											
<i>AWS E9018-G-H4R</i>					<i>EN E 55 6 Z B 32 H5</i>			<i>PL : 4124</i>			
2,5x350	135	5	2,7	13,5	CB+PF	PK	C	578782	3,46	9,34	69,20
2,5x350	70	10	1,4	14,0	SRP	PK	C	524642	4,50	6,30	90,00
3,2x450	120	3	5,8	17,4	CB+PF	PK	C	578775	3,16	18,33	152,73
3,2x450	50	8	2,4	19,2	SRP	PK	C	524659	3,59	8,62	172,32
4,0x450	85	3	5,9	17,7	CB+PF	PK	C	578751	3,07	18,11	213,09
4,0x450	28	8	2,0	16,0	SRP	PK	C	524666	3,67	7,34	262,14
5,0x450	55	3	5,7	17,1	CB+PF	PK	C	578768	3,00	17,10	310,91
5,0x450	23	8	2,5	20,0	SRP	PK	C	524680	3,42	8,55	371,74

(1) A: in stock - B: 2 to 4 weeks delivery - C: consult us for delivery time

(2) CB = Carton box ; CB+PF= Carton box + plastic foil ; PB : Plastic box ; SRP = Sahara Ready Pack ; AC = Aluminium can

All prices are exclusive of VAT and are subject to Lincoln Electric standard terms and conditions of sales.
Due to constant improvements, Lincoln Electric reserve the right to amend any of the above without notification.

LINCOLN[®]
ELECTRIC

131

Electrodes for low alloyed steels

Effective date :
1-March-09
Supersedes :
1-August-08

Low temperature electrodes (continued)

Dia x length (mm)	Pieces per pack	Pack per carton	Weight (kg)		Package Type (2)	Sales Unit	Stock (1)	Product Number	Price (€)		
			Pack	Carton					Per kg	Per unit	Per 1000
KRYO 3			AWS E8018-C1-H4						PL : 4124		
2,5x350	135	5	2,7	13,5	CB+PF	PK	C	515855	3,90	10,53	78,00
2,5x350	70	10	1,4	14,0	SRP	PK	C	524536	4,71	6,59	94,20
3,2x350	120	3	4,2	12,6	CB+PF	PK	A	515862	3,67	15,41	128,45
3,2x350	50	8	1,9	15,2	SRP	PK	C	524604	4,21	8,00	159,98
3,2x450	50	8	2,4	19,2	SRP	PK	C	524543	4,09	9,82	196,32
4,0x350	85	3	4,4	13,2	CB+PF	PK	A	515879	3,62	15,93	187,39
4,0x450	28	8	2,0	16,0	SRP	PK	C	524598	4,22	8,44	301,43
5,0x450	55	3	5,7	17,1	CB+PF	PK	A	515893	3,45	19,67	357,55

(1) A: in stock - B: 2 to 4 weeks delivery - C: consult us for delivery time

(2) CB = Carton box ; CB+PF= Carton box + plastic foil ; PB : Plastic box ; SRP = Sahara Ready Pack ; AC = Aluminium can

Mild, low and unalloyed wires

Effective date :
1-March-09
Supersedes :
1-August-08

Unalloyed solid wires

Dia (mm)	Units per carton	Weight (kg)			Package Type	Sales Unit	Stock (1)	Product number	Price (€) Per kg
		Unit	Carton	Pallet					
LNM 25		AWS ER70S-3			EN G 42 2 M G2Si		PL : 4211		
0,8	1	15,0	15,0	1080,0	Spool	KG	A	690026	1,79
1,0	1	15,0	15,0	1080,0	Spool	KG	A	690033	1,65
1,2	1	15,0	15,0	1080,0	Spool	KG	A	690040	1,60
ULTRAMAG SG-2		AWS ER70S-6			EN G 42 3 M G3Si		PL : 4211		
0,8	1	250,0	250,0	1000,0	ACCUTRAK Drum - Fibre	KG	C	E08D250A6S00	1,33
1,0	1	15,0	15,0	960,0	WNA-PLW	KG	A	E10L015P6E00	1,16
1,0	1	250,0	250,0	1000,0	ACCUTRAK Drum - Fibre	KG	A	E10D250A6S00	1,19
1,2	1	15,0	15,0	960,0	WNA-PLW	KG	A	E12L015P6E00	1,07
1,2	1	250,0	250,0	1000,0	ACCUTRAK Drum - Fibre	KG	A	E12D250A6S00	1,09
SUPRAMIG SG-2		AWS ER70S-6			EN G 42 3 M G3Si		PL : 4211		
0,8	1	15,0	15,0	1080,0	B300	KG	B	16S0815BR	1,13
0,8	1	15,0	15,0	840,0	B300 EP	KG	B	16S0815BRE	1,13
0,8	1	250,0	250,0	1000,0	ACCUTRAK Drum - Fibre	KG	A	16S08250DFM	1,13
1,0	1	15,0	15,0	1080,0	B300	KG	B	16S1015BR	1,08
1,0	1	15,0	15,0	840,0	B300 EP	KG	A	16S1015BRE	1,08
1,0	1	15,0	15,0	1080,0	S300	KG	B	16S1015PR	1,11
1,0	1	250,0	250,0	1000,0	ACCUTRAK Drum - Fibre	KG	A	16S10250DFM	1,09
1,0	1	5,0	5,0	1000,0		KG		16S1005PR	1,15
1,2	1	5,0	5,0	1000,0		KG		16S1205PR	1,11
1,2	1	15,0	15,0	1080,0	B300	KG	B	16S1215BR	1,06
1,2	1	15,0	15,0	840,0	B300 EP	KG	A	16S1215BRE	1,06
1,2	1	15,0	15,0	1080,0	S300	KG	B	16S1215PR	1,08
1,2	1	250,0	250,0	1000,0	ACCUTRAK Drum - Fibre	KG	A	16S12250DFM	1,07
1,6	1	15,0	15,0	1080,0	S300	KG	B	16S1615PR	1,07
1,6	1	250,0	250,0	1000,0	ACCUTRAK Drum - Fibre	KG	B	16S16250DFM	1,06
SUPRAMIG ULTRA SG-3		AWS ER70S-6			EN G 46 4 M G4Si1/G 42 3 C G4Si1		PL : 4211		
1,0	1	15,0	15,0	1080,0	B300	KG	C	1631015BR	1,12
1,0	1	15,0	15,0	840,0	B300 EP	KG	C	1631015BRE	1,12
1,0	1	250,0	250,0	1000,0	ACCUTRAK Drum - Fibre	KG	C	16310250DFM	1,15
1,2	1	15,0	15,0	1080,0	B300	KG	B	1631215BR	1,11
1,2	1	15,0	15,0	840,0	B300 EP	KG	A	1631215BRE	1,11
1,2	1	250,0	250,0	1000,0	ACCUTRAK Drum - Fibre	KG	C	16312250DFM	1,12

(1) A: in stock - B: 2 to 4 weeks delivery - C: consult us for delivery time

Mild, low and unalloyed wires

Effective date :
1-March-09
Supersedes :
1-July-08

Low alloyed solid wires

Dia (mm)	Units per carton	Weight (kg)			Package Type	Sales Unit	Stock (1)	Product number	Price (€) Per kg
		Unit	Carton	Pallet					
LNM 12		AWS ER70S-A1			EN G 46 3 M G2Mo			PL : 4221	
1,0	1	15,0	15,0	1080,0	B300-LW	KG	A	581133	2,62
0,8	1	15,0	15,0	1080,0	B300-LW	KG	C	580914	3,25
1,2	1	15,0	15,0	1080,0	B300-LW	KG	A	580921	2,53
LNM 19		AWS ER80S-B2*			EN G CrMo1Si			PL : 4221	
1,6	1	15,0	15,0	1080,0	B300-LW	KG	C	584110	3,09
0,8	1	15,0	15,0	1080,0	B300-LW	KG	C	581058	4,31
1,2	1	15,0	15,0	1080,0	B300-LW	KG	A	581065	3,09
1,0	1	15,0	15,0	1080,0	B300-LW	KG	A	581089	3,20
LNM 20		AWS ER90S-B3*			EN G CrMo2Si			PL : 4221	
0,8	1	15,0	15,0	1080,0	B300-LW	KG	C	581140	5,75
1,0	1	15,0	15,0	1080,0	B300-LW	KG	A	581164	5,46
1,2	1	15,0	15,0	1080,0	B300-LW	KG	A	581157	4,89
LNM 28		AWS ER80S-G						PL : 4221	
1,0	1	15,0	15,0	1080,0	B300-LW	KG	A	581454	2,72
1,2	1	15,0	15,0	1080,0	B300-LW	KG	A	581461	2,55
LNM MoNi		AWS ER100S-G			EN G 62 4 M Mn3Ni1CrMo			PL : 4221	
0,8	1	15,0	15,0	1080,0	B300-LW	KG	C	580815	2,49
1,0	1	15,0	15,0	1080,0	B300-LW	KG	C	580822	2,33
1,2	1	15,0	15,0	1080,0	B300-LW	KG	C	580839	2,24
LNM MoNiVa		AWS ER100S-G			EN G 69 4 M Mn3Ni1CrMo			PL : 4221	
1,2	1	15,0	15,0	1080,0	B300-LW	KG	A	581195	2,65
1,0	1	15,0	15,0	1080,0	B300-LW	KG	A	581201	2,78
0,8	1	15,0	15,0	1080,0	B300-LW	KG	A	581218	4,16
LNM MoNiCr								PL : 4221	
1,0	1	15,0	15,0	1080,0	B300-LW	KG	C	580587	4,61
1,2	1	15,0	15,0	1080,0	B300-LW	KG	C	580594	4,41
LNM Ni1		AWS ER80S-Ni 1			EN G 46 5 M G3Ni1			PL : 4221	
1,0	4	5,0	20,0	1080,0	S200-LW	KG	C	583649	5,48
1,0	1	15,0	15,0	1080,0	B300-LW	KG	A	582468	3,71
0,8	1	15,0	15,0	500,0	B300-LW	KG	C	582475	4,61
1,2	1	15,0	15,0	1080,0	B300-LW	KG	A	582482	3,59
LNM Ni2.5		AWS ER80S-Ni2			EN G 46 6 M G2Ni2			PL : 4221	
1,0	1	15,0	15,0	1080,0	B300-LW	KG	A	580372	4,14
1,2	1	15,0	15,0	1080,0	B300-LW	KG	A	583632	3,78

(1) A: in stock - B: 2 to 4 weeks delivery - C: consult us for delivery time

Low alloyed solid wires (continued)

Dia (mm)	Units per carton	Weight (kg)			Package Type	Sales Unit	Stock (1)	Product number	Price (€) Per kg
		Unit	Carton	Pallet					
LNM 420FM					<i>EN MSG6-GZ-60 PS</i>			<i>PL : 4221</i>	
1,0	1	15,0	15,0	1080,0	B300-LW	KG	C	604047	15,12
1,2	1	15,0	15,0	1080,0	B300-LW	KG	A	604054	10,40
LNM 4M					<i>EN MSG2-GZ-350</i>			<i>PL : 4221</i>	
1,2	1	15,0	15,0	1080,0	B300-LW	KG	C	604016	9,91

(1) A: in stock - B: 2 to 4 weeks delivery - C: consult us for delivery time

Unalloyed TIG Rods

Dia (mm)	Length (mm)	Units per carton	Weight (kg)		Package Type	Sales Unit	Stock (1)	Product number	Price (€) Per kg
			Unit	Carton					
LNT 25			AWS ER70S-3			EN W 42 5 W2Si			PL : 4311
1,6	1000	1	2,0	2,0	PE Tube	KG	A	604108	3,24
1,6	1000	1	5,0	5,0	Carton box	KG	A	580334	2,91
1,6	1000	1	5,0	5,0	500 kg export	KG	C	582635	3,08
2,0	1000	1	2,0	2,0	PE Tube	KG	A	604122	2,89
2,0	1000	1	5,0	5,0	Carton box	KG	A	582789	2,59
2,0	1000	1	5,0	5,0	500 kg export	KG	C	582642	2,25
2,4	1000	1	2,0	2,0	PE Tube	KG	A	604146	2,86
2,4	1000	1	5,0	5,0	Carton box	KG	A	580358	2,55
2,4	1000	1	5,0	5,0	500 kg export	KG	C	582659	2,71
3,0	1000	1	2,0	2,0	PE Tube	KG	A	604177	2,80
3,0	1000	1	5,0	5,0	Carton box	KG	A	580341	2,49
LNT 26			AWS ER70S-6			EN W 42 5 W3Si1			PL : 4311
1,6	1000	1	5,0	5,0	Carton box	KG	C	604184	2,93
2,0	1000	1	2,0	2,0	PE Tube	KG	A	604191	2,89
2,0	1000	1	5,0	5,0	Carton box	KG	A	604207	2,59
2,4	1000	1	2,0	2,0	PE Tube	KG	A	604214	2,86
2,4	1000	1	5,0	5,0	Carton box	KG	A	604221	2,55
3,0	1000	1	5,0	5,0	Carton box	KG	C	604115	2,49
LNT 28			AWS ER80S-G			0			PL : 4321
2,4	1000	1	5,0	5,0	Carton box	KG	C	606324	3,76

(1) A: in stock - B: 2 to 4 weeks delivery - C: consult us for delivery time

Mild, low and unalloyed wires

Effective date :
1-March-09
Supersedes :
1-July-08

Low alloyed TIG Rods

Dia (mm)	Length (mm)	Units per carton	Weight (kg)		Package Type	Sales Unit	Stock (1)	Product number	Price (€) Per kg
			Unit	Carton					
LNT 12			AWS ER70S-A1			ISO W MoSi			PL : 4321
1,6	1000	1	2,0	2,0	PE Tube	KG	A	604238	3,53
1,6	1000	1	5,0	5,0	Carton box	KG	A	604245	3,22
2,0	1000	1	2,0	2,0	PE Tube	KG	A	604252	3,45
2,0	1000	1	5,0	5,0	Carton box	KG	A	604269	3,14
2,4	1000	1	2,0	2,0	PE Tube	KG	A	604276	3,42
2,4	1000	1	5,0	5,0	Carton box	KG	A	604283	3,12
3,0	1000	1	2,0	2,0	PE Tube	KG	A	604290	3,40
3,0	1000	1	5,0	5,0	Carton box	KG	A	604306	3,09
LNT 19			AWS ER80S-B2*			ISO W CrMo1Si			PL : 4321
1,6	1000	1	2,0	2,0	PE Tube	KG	C	604313	4,24
1,6	1000	1	5,0	5,0	Carton box	KG	A	604320	3,94
2,0	1000	1	2,0	2,0	PE Tube	KG	A	604337	3,94
2,0	1000	1	5,0	5,0	Carton box	KG	A	604344	3,64
2,4	1000	1	2,0	2,0	PE Tube	KG	A	604351	3,82
2,4	1000	1	5,0	5,0	Carton box	KG	A	604368	3,52
3,0	1000	1	2,0	2,0	PE Tube	KG	C	604375	3,64
3,0	1000	1	5,0	5,0	Carton box	KG	A	604382	3,33
LNT 20			AWS ER90S-B3*			ISO W CrMo2Si			PL : 4321
2,0	1000	1	2,0	2,0	PE Tube	KG	A	605549	5,00
2,0	1000	1	5,0	5,0	Carton box	KG	A	600247	4,69
2,4	1000	1	2,0	2,0	PE Tube	KG	A	605556	4,93
2,4	1000	1	5,0	5,0	Carton box	KG	A	605563	4,86
3,2	1000	1	2,0	2,0	PE Tube	KG	C	605570	4,93
3,2	1000	1	5,0	5,0	Carton box	KG	C	600587	4,56
LNT 502			AWS ER80S-B6			ISO W CrMo5Si			PL : 4321
1,6	1000	1	2,0	2,0	PE Tube	KG	C	605860	8,79
1,6	1000	1	5,0	5,0	Carton box	KG	C	600285	8,48
2,0	1000	1	5,0	5,0	Carton box	KG	C	600292	7,68
2,0	1000	1	2,0	2,0	PE Tube	KG	C	605587	7,99
2,4	1000	1	2,0	2,0	PE Tube	KG	A	605594	7,74
2,4	1000	1	5,0	5,0	Carton box	KG	C	605600	7,45
LNT 9Cr(P91)			AWS ER90S-B9*			EN W CrMo91			PL : 4321
2,0	1000	1	5,0	5,0	Carton box	KG	A	605402	15,29
2,0	1000	1	2,0	2,0	PE Tube	KG	B	605761	15,60
2,4	1000	1	5,0	5,0	Carton box	KG	A	605419	9,16
2,4	1000	1	2,0	2,0	PE Tube	KG	A	605778	9,47
LNT Ni1			AWS ER80S-Ni 1			EN W 42 6 W3Ni1			PL : 4321
1,6	1000	1	5,0	5,0	Carton box	KG	C	600162	5,48
1,6	1000	1	2,0	2,0	PE Tube	KG	A	605099	5,79
2,0	1000	1	2,0	2,0	PE Tube	KG	A	605105	5,66

(1) A: in stock - B: 2 to 4 weeks delivery - C: consult us for delivery time

Low alloyed TIG Rods (continued)

Dia (mm)	Length (mm)	Units per carton	Weight (kg)		Package Type	Sales Unit	Stock (1)	Product number	Price (€) Per kg
			Unit	Carton					
LNT Ni1 (continued)			AWS ER80S-Ni 1			EN W 42 6 W3Ni1		PL : 4321	
2,0	1000	1	5,0	5,0	Carton box	KG	A	605112	5,35
2,4	1000	1	2,0	2,0	PE Tube	KG	A	605129	5,60
2,4	1000	1	5,0	5,0	Carton box	KG	A	605136	5,29
LNT Ni2.5			AWS ER80S-Ni2			EN W 46 6 W2Ni2		PL : 4321	
2,0	1000	1	2,0	2,0	PE Tube	KG	A	605143	5,09
2,4	1000	1	2,0	2,0	PE Tube	KG	A	605150	5,07
2,0	1000	1	5,0	5,0	Carton box	KG	C	600216	4,79
2,4	1000	1	5,0	5,0	Carton box	KG	A	600223	4,76

(1) A: in stock - B: 2 to 4 weeks delivery - C: consult us for delivery time

Oxy-gas fuel rods

Dia (mm)	Units per carton	Weight (kg)			Package Type	Sales Unit	Stock (1)	Product number	Price (€) Per kg
		Unit	Carton	Pallet					
LNG I		AWS R45*			EN OI		PL : 4999		
2,0	1	5,0	5,0	325,0	Carton box	KG	A	84192005	2,04
3,0	1	5,0	5,0	325,0	Carton box	KG	A	84193005	1,94
LNG II		AWS R60*			EN OII		PL : 4999		
1,6	1	5,0	5,0	250,0	Carton box	KG	C	84201605	2,92
2,0	1	5,0	5,0	250,0	Carton box	KG	C	84202005	2,38
2,5	1	5,0	5,0	250,0	Carton box	KG	C	84202505	2,28
3,0	1	5,0	5,0	250,0	Carton box	KG	C	84203005	2,25
4,0	1	5,0	5,0	250,0	Carton box	KG	C	84204005	2,21
LNG IV		AWS R65*			EN OIV		PL : 4999		
2,0	1	5,0	5,0	325,0	Carton box	KG	A	84242005	2,91
2,5	1	5,0	5,0	250,0	Carton box	KG	C	84242505	2,87
3,0	1	5,0	5,0	325,0	Carton box	KG	A	84243005	2,81
4,0	1	5,0	5,0	250,0	Carton box	KG	C	84244005	13,80

(1) A: in stock - B: 2 to 4 weeks delivery - C: consult us for delivery time

Mild and low alloyed flux cored wires

Effective date :
1-March-09
Supersedes :
1-July-08

Innershield wires

Dia (mm)	Units per carton	Weight (kg)			Package Type	Sales Unit	Stock (1)	Product number	Price (€) Per kg	
		Unit	Carton	Pallet						
INNERSHIELD NR-203Ni1 (1%)		AWS E71T8-Ni1			PL : 4661					
2,0	4	6,4	25,4	1219,0	Coil	KG	A	ED028091	5,15	
INNERSHIELD NR-211MP		AWS E71T-11			PL : 4661					
0,9	1	4,5	4,5	908,0	Plastic spool	KG	A	ED016354	9,95	
1,1	1	4,5	4,5	908,0	Plastic spool	KG	A	ED016363	7,04	
0,9	1	11,0	11,0	1020,0	Coil	KG	C	ED030637	6,15	
1,1	1	11,0	11,0	1020,0	Coil	KG	C	ED030638	7,29	
1,7	4	6,4	25,4	1219,0	Coil	KG	C	ED012506	5,59	
2,0	4	6,4	25,4	1219,0	Coil	KG	C	ED012508	4,52	
INNERSHIELD NR-232		AWS E71T-8			PL : 4661					
1,7	4	6,1	24,4	1175,0	Coil	KG	C	ED012518	8,13	
1,8	4	6,1	24,4	1175,0	Coil	KG	C	ED012522	5,59	
1,8	1	22,7	22,7	1362,0	Coil	KG	C	ED012523	5,23	
2,0	4	6,1	24,4	1176,0	Coil	KG	C	ED012525	5,08	
1,7	1	22,7	22,7	1362,0	Coil	KG	C	ED012519	5,05	
2,0	1	22,7	22,7	1362,0	Coil	KG	C	ED012526	4,81	
INNERSHIELD NR-233		AWS E71T-8			PL : 4661					
1,6	4	5,7	22,7	1091,0	Coil	KG	C	ED030933	7,88	
1,6	1	11,3	11,3	1000,0	Coil	KG	C	ED030934	8,91	
1,8	1	11,3	11,3	1000,0	Coil	KG	C	ED031030	7,44	
INNERSHIELD NR-311		AWS E70T-7			PL : 4661					
2,4	1	22,7	22,7	1362,0	Coil	KG	C	ED012629	3,23	
INNERSHIELD NR-400		AWS E71T8-K6			PL : 4661					
2,0	4	6,4	25,4	1219,0	Coil	KG	A	ED032260	4,71	
INNERSHIELD NS-3M		AWS E70T-4			ENT 42 Z V N 3			PL : 4661		
3,0	1	22,7	22,7	1362,0	Coil	KG	C	ED012732	3,32	
2,0	4	6,4	25,4	1219,0	Coil	KG	C	ED012739	4,65	
2,0	1	22,7	22,7	1362,0	Coil	KG	C	ED012740	3,64	
2,4	1	22,7	22,7	1362,0	Coil	KG	C	ED012736	3,95	

(1) A: in stock - B: 2 to 4 weeks delivery - C: consult us for delivery time

Mild and low alloyed flux cored wires

Effective date :
1-March-09
Supersedes :
1-July-08

Outershield wires

Dia (mm)	Units per carton	Weight (kg)			Package Type	Sales Unit	Stock (1)	Product number	Price (€) Per kg
		Unit	Carton	Pallet					
OUTERSHIELD 70-H		AWS E70T-1-H4 / E70T-1M-H4			ENT 46 0 R C 3 H5			PL : 4611	
2,4	1	25,0	25,0	800,0	Stein basket B435	KG	C	941081	2,73
2,4	1	270,0	270,0	810,0	Metal coil	KG	C	941319	2,35
OUTERSHIELD 70E-H		AWS E70T-1-JH4 / E70T-1M-JH4			ENT 46 3 R C 1 H5			PL : 4611	
1,6	1	15,0	15,0	840,0	Stein basket B300	KG	C	942552	2,56
OUTERSHIELD 71E		AWS E71T-1M-JH8			ENT 46 3 P M 1 H10			PL : 4611	
1,6	1	15,0	15,0	840,0	Stein basket B300	KG	A	942569	2,72
OUTERSHIELD 71E-H		AWS E71T-1M-JH4			ENT 46 3 P M 1 H5			PL : 4611	
1,2	3	5,0	15,0	900,0	S200 Alu bag (PLW)	KG	C	900125	2,20
1,2	3	5,0	15,0		S200 plastic bag (PLW)	KG		900170	2,17
1,2	1	15,0	15,0	840,0	Stein basket B300 (RDM) + saché plast.	KG	C	900118	1,99
1,2	1	15,0	15,0	840,0	Stein basket B300 (PLW) + saché plast.	KG	C	900156	1,99
1,2	1	15,0	15,0	840,0	S200 Alu bag (PLW)	KG		900149	2,34
1,2	1	200,0	200,0	400,0	Accutrak	KG	C	941968	2,94
OUTERSHIELD 71M-H		AWS E71T-1-JH4			ENT 46 2 P C 1 H5			PL : 4611	
1,2	3	5,0	15,0	900,0	S200 Alu bag (PLW)	KG	A	900071	2,57
1,2	1	15,0	15,0	840,0	Stein basket B300 (PLW) + saché plast.	KG	A	900040	2,35
1,2	1	15,0	15,0	840,0	Stein basket B300 (RDM) + saché plast.	KG	A	900095	2,35
1,6	1	15,0	15,0		S200 Alu bag (PLW)	KG	A	900177	2,03
1,6	1	25,0	25,0	800,0	Stein basket B435	KG	C	942132	2,47
OUTERSHIELD 71C		AWS E71T-1-H8/E71T-9-H8			ENT 46 3 P C 1 H10			PL : 4611	
1,2	3	5,0	15,0	900,0	S200 Alu bag (PLW)	KG	A	900033	2,15
1,2	3	5,0	15,0	900,0	Stein basket B200 (PLW)	KG	A	900064	2,04
1,2	1	15,0	15,0	840,0	Stein basket B300 (PLW)	KG	A	900002	1,93
1,2	1	15,0	15,0	810,0	S200 Alu bag (PLW)	KG	A	900026	1,99
1,2	1	15,0	15,0	840,0	Stein basket B300 (RDM) + saché plast.	KG	C	900101	1,93
OUTERSHIELD T55-H		AWS E71T-5C-JH4 / E71T-5M-JH4			ENT 42 4 B C 2 H5			PL : 4611	
1,0	3	4,5	13,5	810,0	Plastic spool S200	KG	C	942224	3,24
1,2	3	4,5	13,5	810,0	Plastic spool S200	KG	C	942231	2,91
1,2	1	15,0	15,0	840,0	Stein basket B300	KG	A	941609	2,63
1,6	1	15,0	15,0	840,0	Stein basket B300	KG	A	941548	2,47
1,6	1	25,0	25,0	800,0	Stein basket B435	KG	C	941555	4,03
2,4	1	25,0	25,0	800,0	Stein basket B435	KG	C	941562	2,67
OUTERSHIELD MC700		AWS E70C-6M H48			ENT 46 2 M M 2 H10			PL : 4611	
1,2	1	15,0	15,0	840,0	Stein basket B300 (PLW)	KG	A	900206	1,79

(1) A: in stock - B: 2 to 4 weeks delivery - C: consult us for delivery time

Mild and low alloyed flux cored wires

Effective date :
1-March-09
Supersedes :
1-July-08

Outershield wires (continued)

Dia (mm)	Units per carton	Weight (kg)			Package Type	Sales Unit	Stock (1)	Product number	Price (€) Per kg
		Unit	Carton	Pallet					
OUTERSHIELD MC710-H		AWS E70C-6M H4			EN T 46 3 M M 2 H5			PL : 4611	
1,2	3	4,5	13,5	810,0	Plastic spool S200	KG	C	942248	2,83
1,2	1	15,0	15,0	840,0	Stein basket B300	KG	A	941890	2,53
1,2	1	200,0	200,0	400,0	Accutrak	KG	A	941920	2,52
1,2	1	270,0	270,0	810,0	Metal coil	KG	C	941821	2,21
1,4	1	15,0	15,0	840,0	Stein basket B300	KG	A	941654	2,48
1,4	1	25,0	25,0	800,0	Stein basket B435	KG	C	941838	4,25
1,4	1	200,0	200,0	400,0	Accutrak	KG	A	941951	2,47
1,6	1	15,0	15,0	840,0	Stein basket B300	KG	A	941753	2,39
1,6	1	25,0	25,0	800,0	Stein basket B435	KG	C	941791	3,95
1,6	1	200,0	200,0	400,0	Accutrak	KG	A	941937	2,52
1,6	1	270,0	270,0	810,0	Metal coil	KG	C	941692	2,09
2,0	1	25,0	25,0	800,0	Stein basket B435	KG	C	941715	2,53
2,0	1	270,0	270,0	810,0	Touret métallique	KG	C	941869	2,11
2,4	1	25,0	25,0	800,0	Stein basket B435	KG	C	941807	2,64
2,4	1	270,0	270,0	810,0	Metal coil	KG	C	941883	2,21
OUTERSHIELD MC710C-H		AWS E70C-6C H4			EN T 46 3 M C 2 H5			PL : 4611	
1,2	1	15,0	15,0	840,0	Plastic spool S200	KG	C	943405	2,55
1,2	3	4,5	13,5	810,0	Plastic spool	KG	C	943412	2,72
OUTERSHIELD MC715-H		AWS E70C-6M H4			EN T 46 4 M M 2 H5			PL : 4611	
1,2	3	4,5	13,5	810,0	Plastic spool S200	KG	C	942309	2,89
1,2	1	15,0	15,0	840,0	Stein basket B300	KG	A	942033	2,60
1,2	1	200,0	200,0	400,0	Accutrak	KG	C	942361	2,73
1,4	1	15,0	15,0	840,0	Stein basket B300	KG	A	942026	2,49
1,4	1	200,0	200,0	400,0	Accutrak	KG	C	942088	2,63
1,6	1	15,0	15,0	840,0	Stein basket B300	KG	A	942040	2,45
1,6	1	25,0	25,0	800,0	Stein basket B435	KG	C	942064	2,33
1,6	1	200,0	200,0	400,0	Accutrak	KG	C	942095	2,59
OUTERSHIELD 460VD-H		AWS E70C-6M-H4			EN T 46 2 M M 1 H5			PL : 4611	
1,2	1	15,0	15,0	840,0	Stein basket B300	KG	C	942859	2,92
OUTERSHIELD 420-NH		AWS E70C-G H4			EN T 38 2 Z M M 2 H5			PL : 4611	
1,2	1	15,0	15,0	840,0	Stein basket B300	KG	C	943306	2,76
1,6	1	15,0	15,0	840,0	Stein basket B300	KG	C	943320	2,81
1,6	1	200,0	200,0	400,0	Accutrak	KG	C	943313	2,12
OUTERSHIELD 81K2-H		AWS E81T1-K2M-JH4 (all diameters)			EN T 50 6 1.5Ni P M 2 H5			PL : 4621	
1,2	3	4,5	13,5	810,0	Plastic spool S200	KG	C	942323	3,17
1,2	1	15,0	15,0	840,0	Stein basket B300	KG	A	941395	2,76
1,6	1	25,0	25,0	800,0	Stein basket B435	KG	C	942880	2,63
2,0	1	25,0	25,0	800,0	Stein basket B435	KG	C	942897	2,85
1,2	1	200,0	200,0	400,0	Accutrak	KG		941265	2,89

(1) A: in stock - B: 2 to 4 weeks delivery - C: consult us for delivery time

Mild and low alloyed flux cored wires

Effective date :
1-March-09
Supersedes :
1-July-08

Outersheild wires (continued)

Dia (mm)	Units per carton	Weight (kg)			Package Type	Sales Unit	Stock (1)	Product number	Price (€) Per kg
		Unit	Carton	Pallet					
OUTERSHIELD 81K2-HSR		AWS E81T1-K2M-JH4			ENT 50 6 1.5Ni P M 2 H5 T			PL : 4621	
1,2	1	15,0	15,0	840,0	Stein basket B300	KG	C	943207	2,97
OUTERSHIELD 81Ni1-H		AWS E81T1-Ni1M-JH4 (all diameters)			ENT 50 5 1Ni P M 2 H5			PL : 4621	
1,2	3	4,5	13,5	810,0	Plastic spool S200	KG	A	942316	2,97
1,2	1	15,0	15,0	840,0	Stein basket B300	KG	A	941357	2,69
1,2	1	15,0	15,0	840,0	Stein basket BS300	KG	C	942712	2,74
1,6	1	15,0	15,0	840,0	Stein basket B300	KG	C	941364	2,63
1,6	1	15,0	15,0	840,0	Stein basket BS300	KG	C	942750	2,67
1,6	1	25,0	25,0	800,0	Stein basket B435	KG	C	941371	4,34
2,0	1	15,0	15,0	840,0	Stein basket BS300	KG	C	943216	2,93
OUTERSHIELD 81Ni1-HSR		AWS E81T1-Ni1M-JH4			ENT 50 5 1Ni P M 2 H5 T			PL : 4621	
1,2	3	4,5	13,5	810,0	Plastic spool S200	KG	C	942705	3,29
1,2	1	15,0	15,0	840,0	Stein basket B300	KG	C	942699	3,03
OUTERSHIELD 91Ni1-HSR		AWS E91T1-G H4			ISO T 55 4 1NiMo P M 2 H5			PL : 4621	
1,2	3	4,5	13,5	810,0	Plastic spool S200	KG	C	942671	3,44
1,2	1	15,0	15,0	840,0	Stein basket B300	KG	C	942670	3,20
1,2	1	14,0	14,0	1008,0	Plastic spool S300	KG	C	942673	3,51
OUTERSHIELD 91K2-HSR		AWS E91TG H4			ISO T 55 4 1,5NiMo P M 2 H5			PL : 4621	
1,2	3	4,5	13,5	810,0	Plastic spool S200	KG	C	943208	3,65
1,2	1	15,0	15,0	840,0	Stein basket B300	KG	C	943209	3,37
OUTERSHIELD 500CT-H		AWS E81T1-G-H4			ENT 50 5 Z P M 2 H5			PL : 4621	
1,2	3	4,5	13,5	810,0	Plastic spool S200	KG	C	942774	3,04
1,2	1	15,0	15,0	840,0	Stein basket B300	KG	C	942781	2,75
OUTERSHIELD 550-H		AWS E101T1-K3M-JH4			ISO T 55 4 Z P M 1 H5			PL : 4621	
1,2	3	4,5	13,5	810,0	Plastic spool S200	KG	C	942347	3,49
1,2	1	15,0	15,0	840,0	Stein basket B300	KG	C	942354	3,21
OUTERSHIELD 690-H		AWS E111T1-K3M-JH4			ISO T 69 4 Z P M 2 H5			PL : 4621	
1,2	3	4,5	13,5	810,0	Plastic spool S200	KG	C	942415	3,51
1,2	1	14,0	14,0	1008,0	Plastic spool S300	KG	C	942453	45,28
1,2	1	15,0	15,0	840,0	Stein basket B300	KG	A	942422	3,21
1,2	1	15,0	15,0	840,0	Stein basket BS300	KG	C	942460	3,27
1,6	1	15,0	15,0	840,0	Stein basket B300	KG	C	942446	3,15
OUTERSHIELD 690-HSR		AWS E111T1-K3M-JH4			ISO T 69 4 Z P M 2 H5 T			PL : 4621	
1,2	3	4,5	13,5	810,0	Plastic spool S200	KG	C	942811	3,76
1,2	1	15,0	15,0	840,0	Stein basket B300	KG	C	942804	3,52
1,6	1	15,0	15,0	840,0	Stein basket B300	KG	C	942828	3,32

(1) A: in stock - B: 2 to 4 weeks delivery - C: consult us for delivery time

Outershield wires (continued)

Dia (mm)	Units per carton	Weight (kg)			Package Type	Sales Unit	Stock (1)	Product number	Price (€) Per kg
		Unit	Carton	Pallet					
OUTERSHIELD 12-H		<i>AWS E 81T1-A1M-H4</i>			<i>EN T MoL P M 2 H5</i>			<i>PL : 4611</i>	
1,2	1	15,0	15,0	840,0	Stein basket B300	KG	C	943009	3,03
OUTERSHIELD 19-H		<i>AWS E 81T1-B2M-H4</i>			<i>EN T CrMo1 P M 2 H5</i>			<i>PL : 4611</i>	
1,2	1	15,0	15,0	840,0	Stein basket B300	KG	C	943016	3,16
OUTERSHIELD 20-H		<i>AWS E 91T1-B3M-H4</i>			<i>EN T CrMo2 P M 2 H5</i>			<i>PL : 4611</i>	
1,2	1	15,0	15,0	840,0	Stein basket B300	KG	C	943023	4,05

(1) A: in stock - B: 2 to 4 weeks delivery - C: consult us for delivery time

Mild and low alloyed submerged arc fluxes & wires

Effective date :
1-March-09
Supersedes :
1-August-08

Solid wires

Dia (mm)	Units per carton	Weight (kg)			Package Type	Sales Unit	Stock (1)	Product number	Price (€) Per kg
		Unit	Carton	Pallet					
L-50 M		AWS EH12K			EN S3Si		PL : 4411		
1,6	1	25,0	25,0	1000,0	Stein cage B415	KG	C	FL50M-16-25	1,99
2,0	1	25,0	25,0	1000,0	Stein cage B415	KG	C	FL50M-2-25	1,72
2,4	1	25,0	25,0	1000,0	Stein cage B415	KG	C	FL50M-24-25	1,66
2,4	1	1000,0	1000,0	1000,0	Accu-Drum	KG	C	FL50M-24-1000	1,68
3,2	1	25,0	25,0	1000,0	Stein cage B415	KG	C	FL50M-32-25	1,58
3,2	1	25,0	25,0	1000,0	Stein (special packaging*)	KG	C	FL50M-32-25VCI	1,71
3,2	1	400,0	400,0	800,0	Drum	KG	C	FL50M-32-400	1,49
3,2	1	1000,0	1000,0	1000,0	Accu-Drum	KG	C	FL50M-32-1000	1,61
4,0	1	25,0	25,0	1000,0	Stein cage B415	KG	C	FL50M-4-25	1,57
4,0	1	100,0	100,0	1000,0	Stein cage	KG	C	FL50M-4-100	1,47
4,0	1	400,0	400,0	800,0	Drum	KG	C	FL50M-4-400	1,51
4,0	1	1000,0	1000,0	1000,0	Accu-Drum	KG	C	FL50M-4-1000	1,63
L-60 (LNS 143)		AWS EL12			EN S1		PL : 4411		
1,6	1	25,0	25,0	1000,0	Stein cage B415	KG	C	FL60-16-25	1,47
2,0	1	25,0	25,0	1000,0	Stein cage B415	KG	C	FL60-2-25	1,45
2,0	1	350,0	350,0	700,0	Drum	KG	B	FL60-2-350	1,48
2,0	1	500,0	500,0	1000,0	Accu-Drum	KG	C	FL60-2-500	1,38
2,4	1	25,0	25,0	1000,0	Stein cage B415	KG	C	FL60-24-25	1,31
2,4	1	400,0	400,0	800,0	Drum	KG	B	FL60-24-400	1,40
2,4	1	1000,0	1000,0	1000,0	Accu-Drum	KG	C	FL60-24-1000	1,59
3,2	1	25,0	25,0	1000,0	Stein cage B415	KG	C	FL60-32-25	1,31
3,2	1	100,0	100,0	1000,0	Stein cage	KG	C	FL60-32-100	1,36
3,2	1	400,0	400,0	800,0	Drum	KG	B	FL60-32-400	1,36
3,2	1	1000,0	1000,0	1000,0	Accu-Drum	KG	C	FL60-32-1000	1,53
4,0	1	25,0	25,0	1000,0	Stein cage B415	KG	C	FL60-4-25	1,44
4,0	1	100,0	100,0	1000,0	Stein cage	KG	C	FL60-4-100	1,34
4,0	1	400,0	400,0	800,0	Drum	KG	A	FL60-4-400	1,37
4,0	1	1000,0	1000,0	1000,0	Accu-Drum	KG	C	FL60-4-1000	1,53
4,8	1	25,0	25,0	1000,0	Stein cage B415	KG	A	FL60-48-25	1,45
4,8	1	350,0	350,0	700,0	Drum	KG	C	FL60-48-350	1,41
L-61 (LNS 129)		AWS EM12K			EN S2Si		PL : 4411		
1,6	1	25,0	25,0	1000,0	Stein cage B415	KG	C	FL61-16-25	1,32
2,0	1	25,0	25,0	1000,0	Stein cage B415	KG	C	FL61-2-25	1,30
2,0	1	100,0	100,0	1000,0	Stein cage	KG	A	FL61-2-100	1,49
2,0	1	300,0	300,0	900,0	Reel	KG	B	FL61-2-300	1,53
2,0	1	350,0	350,0	700,0	Drum	KG	C	FL61-2-350	1,45
2,0	1	1000,0	1000,0	1000,0	Accu-Drum	KG	C	FL61-2-1000	1,62
2,4	1	25,0	25,0	1000,0	Stein cage B415	KG	C	FL61-24-25	1,28
2,4	1	100,0	100,0	1000,0	Stein cage	KG	C	FL61-24-100	1,43
2,4	1	300,0	300,0	900,0	Reel	KG	C	FL61-24-300	1,48
2,4	1	350,0	350,0	1400,0	Drum	KG	C	105483	1,40
2,4	1	400,0	400,0	800,0	Drum	KG	C	FL61-24-400	1,36
2,4	1	1000,0	1000,0	1000,0	Accu-Drum	KG	C	FL61-24-1000	1,56

(1) A: in stock - B: 2 to 4 weeks delivery - C: consult us for delivery time

Mild and low alloyed submerged arc fluxes & wires

Effective date :
1-March-09
Supersedes :
1-August-08

Solid wires (continued)

Dia (mm)	Units per carton	Weight (kg)			Package Type	Sales Unit	Stock (1)	Product number	Price (€) Per kg
		Unit	Carton	Pallet					
L-61 (LNS 129) (continued)		AWS EM12K			EN S2Si			PL : 4411	
3,2	1	25,0	25,0	1000,0	Stein cage B415	KG	C	FL61-32-25	1,28
3,2	1	100,0	100,0	1000,0	Stein cage	KG	C	FL61-32-100	1,37
3,2	1	300,0	300,0	900,0	Reel	KG	B	FL61-32-300	1,45
3,2	1	350,0	350,0	1400,0	Drum	KG	C	105506	1,36
3,2	1	400,0	400,0	800,0	Drum	KG	C	105223	1,36
3,2	1	1000,0	1000,0	1000,0	Reel	KG	C	101904	1,33
3,2	1	1000,0	1000,0	1000,0	Accu-Drum	KG	C	FL61-32-1000	1,49
4,0	1	25,0	25,0	1000,0	Stein cage B415	KG	C	FL61-4-25	1,27
4,0	1	25,0	25,0	1000,0	Stein(special packaging*)	KG	B	FL61-4-25VCI	1,53
4,0	1	100,0	100,0	1000,0	Stein cage	KG	C	FL61-4-100	1,58
4,0	1	300,0	300,0	900,0	Reel	KG	B	FL61-4-300	1,45
4,0	1	350,0	350,0	1400,0	Drum	KG	C	105438	1,37
4,0	1	400,0	400,0	800,0	Drum	KG	A	FL61-4-400	1,33
4,0	1	1000,0	1000,0	1000,0	Accu-Drum	KG	C	FL61-4-1000	1,50
4,0	1	25,0	25,0	1000,0	Stein cage B415	KG	C	FL61-48-25	1,41
4,8	1	25,0	25,0	1000,0	Stein(special packaging*)	KG	C	FL61-48-25VCI	1,56
4,8	1	100,0	100,0	1000,0	Stein cage	KG	C	FL61-48-100	1,36
4,8	1	350,0	350,0	1400,0	Drum	KG	C	105360	1,39
L-70		AWS EA1			EN S2Mo			PL : 4421	
2,0	1	25,0	25,0	1000,0	Stein cage B415	KG	C	FL70-2-25	1,85
2,0	1	1000,0	1000,0	1000,0	Accu-Drum	KG	C	FL70-2-1000	1,88
2,4	1	25,0	25,0	1000,0	Stein cage B415	KG	C	FL70-24-25	1,77
2,4	1	1000,0	1000,0	1000,0	Accu-Drum	KG	C	FL70-24-1000	1,80
3,2	1	25,0	25,0	1000,0	Stein cage B415	KG	C	FL70-32-25	1,71
3,2	1	100,0	100,0	1000,0	Stein cage	KG	C	FL70-32-100	1,80
3,2	1	1000,0	1000,0	1000,0	Accu-Drum	KG	C	FL70-32-1000	1,75
4,0	1	25,0	25,0	1000,0	Stein cage B415	KG	C	FL70-4-25	1,72
4,0	1	25,0	25,0	1000,0	Stein(special packaging*)	KG	C	FL70-4-25VCI	1,84
4,0	1	350,0	350,0	1400,0	Drum	KG	C	FL70-4-350	1,63
4,0	1	400,0	400,0	800,0	Drum	KG	C	FL70-4-400	1,63
4,0	1	1000,0	1000,0	1000,0	Accu-Drum	KG	C	FL70-4-1000	1,75
4,8	1	25,0	25,0	1000,0	Stein cage B415	KG	A	FL70-48-25	1,73
LNS 133 U		AWS EH12K			EN S3Si			PL : 4411	
2,0	1	25,0	25,0	1000,0	Stein cage B415	KG	A	LNS133U-2-25	1,73
2,0	1	350,0	350,0	700,0	Drum	KG	C	104967	1,61
2,4	1	25,0	25,0	1000,0	Stein cage B415	KG	A	LNS133U-24-25	1,72
2,4	1	1000,0	1000,0	1000,0	Accu-Drum	KG	C	LNS133U-24-1000	1,68
3,2	1	25,0	25,0	1000,0	Stein cage B415	KG	A	LNS133U-32-25	1,60
3,2	1	1000,0	1000,0	1000,0	Accu-Drum	KG	C	LNS133U-32-1000	1,61
4,0	1	25,0	25,0	1000,0	Stein cage B415	KG	A	LNS133U-4-25	1,61
4,0	1	25,0	25,0	1000,0	Stein (special packaging*)	KG	C	LNS133U-4-25VCI	1,71
4,0	1	300,0	300,0	900,0	Reel	KG	C	LNS133U-4-300	1,63
4,0	1	1000,0	1000,0	1000,0	Accu-Drum	KG	C	LNS133U-4-1000	1,61

(1) A: in stock - B: 2 to 4 weeks delivery - C: consult us for delivery time

Mild and low alloyed submerged arc fluxes & wires

Effective date :
1-March-09
Supersedes :
1-August-08

Solid wires (continued)

Dia (mm)	Units per carton	Weight (kg)			Package Type	Sales Unit	Stock (1)	Product number	Price (€) Per kg
		Unit	Carton	Pallet					
LNS 135		AWS EM12			EN S2		PL : 4411		
2,0	1	25,0	25,0	1000,0	Stein cage B415	KG	A	LNS135-2-25	1,61
2,4	1	25,0	25,0	1000,0	Stein cage B415	KG	A	LNS135-24-25	1,54
2,4	1	1000,0	1000,0	1000,0	Accu-Drum	KG	C	LNS135-24-1000	1,58
3,2	1	25,0	25,0	1000,0	Stein cage B415	KG	A	LNS135-32-25	1,49
3,2	1	1000,0	1000,0	1000,0	Accu-Drum	KG	C	LNS135-32-1000	1,51
4,0	1	25,0	25,0	1000,0	Stein cage B415	KG	A	LNS135-4-25	1,50
4,0	1	400,0	400,0	800,0	Drum	KG	C	LNS135-4-400	1,40
4,0	1	1000,0	1000,0	1000,0	Accu-Drum	KG	C	LNS135-4-1000	1,51
LNS 140A		AWS EA2			EN S2Mo		PL : 4421		
2,0	1	25,0	25,0	1000,0	Stein cage B415	KG	A	LNS140A-2-25	1,85
2,0	1	25,0	25,0	1000,0	stein (special packaging*)	KG	C	LNS140A-2-25VCI	1,99
2,0	1	300,0	300,0	900,0	Reel	KG	C	LNS140A-2-300	1,80
2,0	1	350,0	350,0	700,0	Drum	KG	C	LNS140A-2-350	1,77
2,4	1	25,0	25,0	1000,0	Stein cage B415	KG	A	LNS140A-24-25	1,84
2,4	1	1000,0	1000,0	1000,0	Accu-Drum	KG	C	LNS140A-24-1000	1,80
3,2	1	25,0	25,0	1000,0	Stein cage B415	KG	A	LNS140A-32-25	1,75
3,2	1	25,0	25,0	1000,0	Stein (special packaging*)	KG	C	LNS140A-32-25VCI	1,84
3,2	1	100,0	100,0	1000,0	Stein cage	KG	B	LNS140A-32-100	1,80
3,2	1	350,0	350,0	1400,0	Drum	KG	C	105407	1,70
3,2	1	400,0	400,0	800,0	Drum	KG	B	LNS140A-32-400	1,64
3,2	1	1000,0	1000,0	1000,0	Accu-Drum	KG	C	LNS140A-32-1000	1,78
4,0	1	25,0	25,0	1000,0	Stein cage B415	KG	A	LNS140A-4-25	1,75
4,0	1	25,0	25,0	1000,0	Stein (special packaging*)	KG	C	LNS140A-4-25VCI	1,84
4,0	1	100,0	100,0	1000,0	Stein cage	KG	B	LNS140A-4-100	1,79
4,0	1	350,0	350,0	1400,0	Drum	KG	C	105414	1,63
4,0	1	400,0	400,0	800,0	Drum	KG	B	LNS140A-4-400	1,63
4,0	1	1000,0	1000,0	1000,0	Vert. coil	KG	A	100792	1,63
4,0	1	1000,0	1000,0	1000,0	Accu-Drum	KG	C	LNS140A-4-1000	1,79
4,8	1	25,0	25,0	1000,0	Stein cage B415	KG	C	LNS140A-48-25	1,73
LNS 140TB		AWS EG			EN SZ		PL : 4421		
3,2	1	350,0	350,0	1400,0	Drum	KG	C	105421	2,02
4,0	1	25,0	25,0	1000,0	Stein cage B415	KG	C	LNS140TB-4-25	2,09
4,0	1	25,0	25,0	1000,0	Stein (special packaging*)	KG	C	LNS140TB-4-25VCI	2,21
4,0	1	350,0	350,0	1400,0	Drum	KG	C	105377	2,01
4,0	1	400,0	400,0	800,0	Drum	KG	C	LNS140TB-4-400	1,99
4,0	1	1000,0	1000,0	1000,0	Vert. coil	KG	B	100853	1,97
4,0	1	1000,0	1000,0	1000,0	Accu-Drum	KG	C	LNS140TB-4-1000	2,09
4,8	1	25,0	25,0	1000,0	Stein (special packaging*)	KG	C	LNS140TB-48-25VCI	2,23
LNS 150		AWS EB2			EN CrMo 1		PL : 4421		
2,0	1	25,0	25,0	1000,0	Stein cage B415	KG	C	LNS150-2-25	2,50
2,4	1	25,0	25,0	1000,0	Stein cage B415	KG	C	LNS150-24-25	2,43
3,2	1	25,0	25,0	1000,0	Stein cage B415	KG	C	LNS150-32-25	2,43

(1) A: in stock - B: 2 to 4 weeks delivery - C: consult us for delivery time

Solid wires (continued)

Dia (mm)	Units per carton	Weight (kg)			Package Type	Sales Unit	Stock (1)	Product number	Price (€) Per kg
		Unit	Carton	Pallet					
LNS 150 (continued)		AWS EB2			EN CrMo 1			PL : 4421	
4,0	1	25,0	25,0	1000,0	Stein cage B415	KG	C	LNS150-4-25	2,43
LNS 151		AWS EB3			EN CrMo 2			PL : 4421	
2,4	1	25,0	25,0	1000,0	Stein cage B415	KG	A	LNS151-24-25	3,38
3,2	1	25,0	25,0	1000,0	Stein cage B415	KG	C	LNS151-32-25	3,36
4,0	1	25,0	25,0	1000,0	Stein cage B415	KG	C	LNS151-4-25	3,38
LNS 160		AWS ENi1			EN S2Ni1			PL : 4421	
2,4	1	25,0	25,0	1000,0	Stein cage B415	KG	C	LNS160-24-25	2,49
3,2	1	25,0	25,0	1000,0	Stein cage B415	KG	B	LNS160-32-25	2,36
3,2	1	1000,0	1000,0	1000,0	Accu-Drum	KG	C	LNS160-32-1000	2,36
4,0	1	25,0	25,0	1000,0	Stein cage B415	KG	B	LNS160-4-25	2,36
4,0	1	1000,0	1000,0	1000,0	Accu-Drum	KG	C	LNS160-4-1000	2,36
LNS 162		AWS ENi2			EN S2Ni2			PL : 4421	
2,4	1	25,0	25,0	1000,0	Stein cage B415	KG	B	LNS162-24-25	3,05
3,2	1	1000,0	1000,0	1000,0	Accu-Drum	KG	C	LNS162-32-1000	2,80
3,2	1	25,0	25,0	1000,0	Stein cage B415	KG	B	LNS162-32-25	2,95
4,0	1	25,0	25,0	1000,0	Stein cage B415	KG	B	LNS162-4-25	3,02
4,0	1	1000,0	1000,0	1000,0	Accu-Drum	KG	C	LNS162-4-1000	2,80
LNS 164		AWS EF3			EN S3 Ni1Mo			PL : 4421	
2,4	1	25,0	25,0	1000,0	Stein cage B415	KG	B	LNS164-24-25	2,39
3,2	1	25,0	25,0	1000,0	Stein cage B415	KG	C	LNS164-32-25	2,31
4,0	1	25,0	25,0	1000,0	Stein cage B415	KG	C	LNS164-4-25	2,28
LNS 165		AWS ENi5			EN SZ			PL : 4421	
2,4	1	25,0	25,0	1000,0	Stein cage B415	KG	B	LNS165-24-25	2,78
3,2	1	25,0	25,0	1000,0	Stein cage B415	KG	B	LNS165-32-25	2,69
3,2	1	1000,0	1000,0	1000,0	Accu-Drum	KG	C	LNS165-32-1000	2,69
4,0	1	25,0	25,0	1000,0	Stein cage B415	KG	B	LNS165-4-25	2,68
4,0	1	1000,0	1000,0	1000,0	Accu-Drum	KG	C	LNS165-4-1000	2,69
4,0	1	350,0	350,0	1400,0	Drum	KG	C	105322	2,75
LNS 168					ISO S3Ni2.5CrMo			PL : 4421	
2,5	1	20,0	20,0	1000,0	Stein cage	KG	C	597028	5,00
3,2	1	20,0	20,0	960,0	Stein cage	KG	C	597059	5,52
4,0	1	20,0	20,0	960,0	Stein cage	KG	C	598216	4,71

(1) A: in stock - B: 2 to 4 weeks delivery - C: consult us for delivery time

Mild and low alloyed submerged arc fluxes & wires

Effective date :
1-March-09
Supersedes :
1-July-08

Fluxes

Weight (kg)		Package Type	Sales Unit	Stock (1)	Product Number	Price (€) per kg
Unit	Pallet					
761						
<i>EN S A CS/MS 1 88 AC H5</i>						<i>PL : 4821</i>
25,0	1000,0	Bag	KG	A	FX761-25	1,00
25,0	1000,0	Sahara Ready Bag	KG	A	FX761-25SRB	1,03
25,0	1000,0	Bag	KG	C	110913	0,98
25,0	1000,0	Sahara Ready Bag	KG	B	FX761-25-C-SRB	1,10
250,0	500,0	Drum	KG	B	110012	1,25
1000,0	1000,0	Big Bag	KG	C	FX761-1T	1,00
780						
<i>EN S A AR/AB 1 78 AC H5</i>						<i>PL : 4821</i>
25,0	1000,0	Bag	KG	A	FX780-25	1,07
25,0	1000,0	Sahara Ready Bag	KG	A	FX780-25SRB	1,10
25,0	1000,0	Bag	KG	B	110562	1,19
25,0	1000,0	Sahara Ready Bag	KG	B	FX780-25-G-SRB	1,15
25,0	1000,0	Bag	KG	B	110579	1,19
25,0	1000,0	Sahara Ready Bag	KG	B	FX780-25-F-SRB	1,15
250,0	500,0	Drum	KG	B	110036	1,32
781						
<i>EN S A ZS 1 87 AC H5</i>						<i>PL : 4821</i>
25,0	1000,0	Bag	KG	A	FX781-25	1,44
25,0	1000,0	Sahara Ready Bag	KG	A	FX781-25SRB	1,47
250,0	500,0	Drum	KG	B	110050	1,68
782						
<i>EN S A AR/AB 1 76 AC H5</i>						<i>PL : 4821</i>
25,0	1000,0	Bag	KG	B	111033	1,26
8500						
<i>EN S A FB 1 54 AC H5</i>						<i>PL : 4821</i>
25,0	1000,0	Bag	KG	A	FX8500-25	1,46
25,0	1000,0	Sahara Ready Bag	KG	A	FX8500-25SRB	1,49
860						
<i>EN S A AB 1 56 AC H5</i>						<i>PL : 4821</i>
25,0	1000,0	Bag	KG	A	FX860-25	0,98
25,0	1000,0	Sahara Ready Bag	KG	A	FX860-25SRB	1,01
888						
<i>EN S A FB 1 66 AC H4</i>						<i>PL : 4821</i>
25,0	1000,0	Sahara Ready Bag	KG	C	FX888-25SRB	1,36
960						
<i>EN S A AB 1 66 AC H5</i>						<i>PL : 4821</i>
25,0	1000,0	Bag	KG	C	FX960-25	1,00
25,0	1000,0	Sahara Ready Bag	KG	C	FX960-25SRB	1,03
980						
<i>EN S A AR/AB 1 57 AC H5</i>						<i>PL : 4821</i>
25,0	1000,0	Bag	KG	A	FX980-25	1,19
25,0	1000,0	Sahara Ready Bag	KG	A	FX980-25SRB	1,24

(1) A: in stock - B: 2 to 4 weeks delivery - C: consult us for delivery time

All prices are exclusive of VAT and are subject to Lincoln Electric standard terms and conditions of sales.
Due to constant improvements, Lincoln Electric reserve the right to amend any of the above without notification.

LINCOLN®
ELECTRIC

151

Mild and low alloyed submerged arc fluxes & wires

Effective date :
1-March-09
Supersedes :
1-July-08

Fluxes (continued)

Weight (kg)		Package Type	Sales Unit	Stock (1)	Product Number	Price (€) per kg
Unit	Pallet					
995N						
				<i>EN S A AB 1 67 AC H5</i>		<i>PL : 4821</i>
25,0	1000,0	Bag	KG	A	111217	1,41
25,0	1000,0	Sahara Ready Bag	KG	B	FX995N-25SRB	1,45
500,0	1000,0	Big Bag	KG	C	110692	1,44
600,0	600,0	Big Bag	KG	C	111200	1,41
998N						
				<i>EN S A AB 1 67 AC H5</i>		<i>PL : 4821</i>
25,0	1000,0	Bag	KG	A	FX998N-25	1,57
25,0	1000,0	Sahara Ready Bag	KG	A	FX998N-25SRB	1,60
P223						
				<i>EN S A AB 1 67 AC H5</i>		<i>PL : 4821</i>
25,0	1000,0	Bag	KG	C	110364	1,30
25,0	1000,0	Sahara Ready Bag	KG	A	FXP223-25SRB	1,33
P230						
				<i>EN S A AB 1 67 AC H5</i>		<i>PL : 4821</i>
25,0	1000,0	Bag	KG	A	FXP230-25	1,33
25,0	1000,0	Sahara Ready Bag	KG	A	FXP230-25SRB	1,36
P240						
				<i>EN S A FB 1 55 AC H5</i>		<i>PL : 4821</i>
25,0	1000,0	Bag	KG	A	FXP240-25	1,14
25,0	1000,0	Sahara Ready Bag	KG	A	FXP240-25SRB	1,18
250,0	500,0	Drum	KG	C	110449	1,39

(1) A: in stock - B: 2 to 4 weeks delivery - C: consult us for delivery time

Stainless steel consumables

Effective date :
1-March-09
Supersedes :
1-Apr-08

Electrodes

Dia x length (mm)	Pieces per pack	Pack per carton	Weight (kg)		Package Type (2)	Sales Unit	Stock (1)	Product Number	Price (€)		
			Pack	Carton					Per kg	Per unit	Per 1000
AROSTA 304H			AWS E308H-16			EN E 19 9 H R 12			PL : 4132		
2,5x350	145	5	2,8	14,0	CB+PF	PK	B	528251	8,52	23,85	164,45
3,2x350	150	3	4,8	14,4	CB+PF	PK	B	528268	7,55	36,22	241,48
4,0x350	100	3	4,9	14,7	CB+PF	PK	B	528275	7,21	35,31	353,05
5,0x350	65	3	4,8	14,4	CB+PF	PK	C	528282	6,98	33,51	515,55
AROSTA 304L			AWS E308L-16			EN E 19 9 L R 12			PL : 4131		
1,5x250	125	12	0,7	8,4	CB+PF	PK	B	527490	12,96	9,07	72,58
2,0x300	225	5	2,3	11,5	CB+PF	PK	B	527520	11,15	25,64	113,97
2,5x350	135	5	2,6	13,0	CB+PF	PK	A	527537	7,42	19,29	142,87
2,5x350	69	10	1,4	14,0	SRP	PK	C	530087	8,97	12,56	182,09
3,2x350	150	3	4,8	14,4	CB+PF	PK	A	527834	6,25	29,98	199,87
3,2x350	56	8	1,9	15,2	SRP	PK	C	530063	7,25	13,77	245,91
4,0x350	85	3	4,5	13,5	CB+PF	PK	A	527940	5,80	26,09	306,97
4,0x350	29	8	1,5	12,0	SRP	PK	C	530070	7,29	10,94	377,09
5,0x350	65	3	4,8	14,4	CB+PF	PK	A	528053	6,09	29,23	449,64
LIMAROSTA 304L			AWS E308L-17			EN E 19 9 L R 12			PL : 4131		
2,0x300	200	5	2,3	11,5	CB+PF	PK	A	557312	10,90	25,08	125,39
2,0x300	60	16	0,6	9,6	SRP	PK	C	539530	13,73	8,24	137,28
2,5x350	125	5	2,7	13,5	CB+PF	PK	A	557329	6,90	18,62	148,96
2,5x350	65	10	1,4	14,0	SRP	PK	C	539561	8,61	12,06	185,49
3,2x350	135	3	4,7	14,1	CB+PF	PK	A	557367	5,99	28,15	208,54
3,2x350	52	8	1,8	14,4	SRP	PK	C	539592	7,45	13,41	257,90
4,0x450	85	3	5,8	17,4	CB+PF	PK	A	557398	5,87	34,03	400,31
4,0x450	28	10	2,0	20,0	SRP	PK	C	539578	7,95	15,90	567,95
5,0x450	55	3	5,8	17,4	CB+PF	PK	B	557404	5,54	32,15	584,48
5,0x450	22	8	2,4	19,2	SRP	PK	C	539585	6,37	15,30	695,32
VERTAROSTA 304L			AWS E308L-15			EN E 19 9 L R 21			PL : 4131		
2,5x300	190	5	2,9	14,5	CB	PK	B	557763	9,49	27,51	144,79
3,2x300	130	5	3,1	15,5	CB	PK	B	557770	8,38	25,97	199,77
JUNGO 304L			AWS E308L-15			EN E 19 9 L B 22			PL : 4131		
2,5x350	120	5	2,4	12,0	CB+PF	PK	B	536959	8,73	20,96	174,67
3,2x350	150	3	4,8	14,4	CB+PF	PK	B	536966	7,54	36,17	241,14
4,0x350	100	3	4,8	14,4	CB+PF	PK	B	536973	7,12	34,18	341,76
AROSTA 347			AWS E347-16			EN E 19 9 Nb R 12			PL : 4131		
2,5x350	120	5	2,6	13,0	CB+PF	PK	A	533255	8,54	22,20	184,98
2,5x350	69	10	1,4	14,0	SRP	PK	C	533675	9,07	12,70	184,04
3,2x350	130	3	4,7	14,1	CB+PF	PK	A	533446	7,47	35,12	270,13
3,2x350	52	8	1,8	14,4	SRP	PK	C	533682	7,64	13,76	264,54
4,0x350	90	3	4,9	14,7	CB+PF	PK	B	533552	7,22	35,36	392,86
4,0x350	28	8	1,4	11,2	SRP	PK	C	533651	8,26	11,56	413,02

(1) A: in stock - B: 2 to 4 weeks delivery - C: consult us for delivery time

(2) CB = Carton box ; CB+PF= Carton box + plastic foil ; PB : Plastic box ; SRP = Sahara Ready Pack ; AC = Aluminium can

All prices are exclusive of VAT and are subject to Lincoln Electric standard terms and conditions of sales.
Due to constant improvements, Lincoln Electric reserve the right to amend any of the above without notification.

LINCOLN[®]
ELECTRIC

153

Electrodes (continued)

Dia x length (mm)	Pieces per pack	Pack per carton	Weight (kg)		Package Type (2)	Sales Unit	Stock (1)	Product Number	Price (€)		
			Pack	Carton					Per kg	Per unit	Per 1000
JUNGO 347			AWS E347-15			EN E 19 9 Nb B 22			PL : 4131		
2,0x300	200	5	2,2	11,0	CB+PF	PK	C	538144	11,20	24,64	123,22
3,2x350	150	3	4,8	14,4	CB+PF	PK	C	538168	7,60	36,48	243,19
4,0x350	100	3	4,4	13,2	CB+PF	PK	C	538175	7,58	33,34	333,42
5,0x450	75	3	6,8	20,4	CB+PF	PK	C	538182	7,01	47,68	635,67
AROSTA 316L			AWS E316L-16			EN E 19 12 3 L R 12			PL : 4131		
1,5x250	160	12	0,8	9,6	CB+PF	PK	A	529159	15,16	12,13	75,78
2,0x300	225	5	2,4	12,0	CB+PF	PK	B	529173	12,60	30,24	134,38
2,0x300	84	12	0,9	10,8	SRP	PK	C	530018	14,39	12,95	154,17
2,5x350	135	5	2,7	13,5	CB+PF	PK	A	529180	9,28	25,07	185,67
2,5x350	69	10	1,4	14,0	SRP	PK	B	530001	10,90	15,27	221,23
3,2x350	150	3	4,9	14,7	CB+PF	PK	A	529487	8,14	39,90	266,01
3,2x350	56	8	1,8	14,4	SRP	PK	B	530032	9,19	16,54	295,32
4,0x350	90	3	4,8	14,4	CB+PF	PK	A	529593	7,61	36,53	405,88
4,0x350	29	8	1,5	12,0	SRP	PK	C	530049	9,08	13,62	469,71
5,0x350	65	3	5,0	15,0	CB+PF	PK	B	529708	7,45	37,25	573,10
AROSTA 316LP			AWS E316L-16			EN E 19 12 3 L R 12			PL : 4131		
2,0x250	215	6	1,9	11,4	CB+PF	PK	C	529128	13,21	25,09	116,70
2,5x250	150	6	2,0	12,0	CB+PF	PK	C	529111	11,40	22,81	152,06
LIMAROSTA 316L			AWS E316L-17			EN E 19 12 3 L R 12			PL : 4131		
1,5x250	160	12	0,8	9,6	CB+PF	PK	A	589085	15,17	12,13	75,84
2,0x300	200	5	2,3	11,5	CB+PF	PK	A	557435	12,51	28,78	143,90
2,0x300	57	16	0,6	9,6	SRP	PK	C	539882	15,35	9,21	161,56
2,5x350	125	5	2,7	13,5	CB+PF	PK	A	557442	8,88	23,97	191,78
2,5x350	65	10	1,5	15,0	SRP	PK	C	539912	10,63	15,94	245,23
3,2x350	135	3	4,8	14,4	CB+PF	PK	A	557466	7,63	36,63	271,34
3,2x350	52	8	1,8	14,4	SRP	PK	C	539943	9,10	16,38	315,08
4,0x450	85	3	5,9	17,7	CB+PF	PK	A	557497	7,62	44,96	528,98
4,0x450	28	10	2,0	20,0	SRP	PK	C	539929	8,72	17,44	622,76
5,0x450	55	3	5,9	17,7	CB+PF	PK	A	557503	7,28	42,95	780,92
5,0x450	22	8	2,4	19,2	SRP	PK	C	539936	8,10	19,44	883,69
VERTAROSTA 316L			AWS E316L-15			EN E 19 12 3 L R 21			PL : 4131		
2,5x300	190	5	2,9	14,5	CB	PK	B	558098	10,69	31,00	163,17
3,2x300	130	5	3,1	15,5	CB	PK	B	558104	9,65	29,90	230,02
JUNGO 316L			AWS E316L-15			EN E 19 12 3 L B 22			PL : 4131		
2,5x350	135	5	2,7	13,5	CB+PF	PK	B	538014	10,79	29,12	215,73
3,2x350	150	3	4,8	14,4	CB+PF	PK	B	538021	10,13	48,60	324,02
4,0x350	100	3	4,8	14,4	CB+PF	PK	B	538038	9,76	46,86	468,63

(1) A: in stock - B: 2 to 4 weeks delivery - C: consult us for delivery time

(2) CB = Carton box ; CB+PF= Carton box + plastic foil ; PB : Plastic box ; SRP = Sahara Ready Pack ; AC = Aluminium can

Electrodes (continued)

Dia x length (mm)	Pieces per pack	Pack per carton	Weight (kg)		Package Type (2)	Sales Unit	Stock (1)	Product Number	Price (€)		
			Pack	Carton					Per kg	Per unit	Per 1000
AROSTA 318			AWS E318-16			EN E 19 12 3 Nb R 12			PL : 4131		
2,0x300	225	5	2,4	12,0	CB+PF	PK	B	532036	12,80	30,72	136,54
2,5x350	135	5	2,8	14,0	CB+PF	PK	B	532043	11,21	31,40	232,56
3,2x350	140	3	5,0	15,0	CB+PF	PK	B	532234	9,26	46,31	330,80
4,0x350	90	3	4,8	14,4	CB+PF	PK	B	532340	9,02	43,28	480,91
5,0x450	65	3	6,7	20,1	CB+PF	PK	C	532371	8,78	58,84	905,29
JUNGO 318			AWS E318-15*			EN E 19 12 3 Nb B 22			PL : 4131		
2,5x350	135	5	2,6	13,0	CB+PF	PK	C	538083	10,16	26,41	195,63
3,2x350	150	3	4,8	14,4	CB+PF	PK	C	538090	9,23	44,31	295,37
4,0x350	100	3	4,6	13,8	CB+PF	PK	C	538106	9,11	41,92	419,20
AROSTA 4439						EN E 18 16 5 N L R 32			PL : 4132		
2,5x350	140	5	2,8	14,0	CB+PF	PK	B	533835	15,56	43,57	311,23
3,2x350	140	3	4,7	14,1	CB+PF	PK	B	533842	14,62	68,73	490,93
4,0x350	100	3	5,1	15,3	CB+PF	PK	B	533774	12,84	65,50	655,02
JUNGO 4455			AWS E316LMn-15			EN E 20 16 3 Mn N L B 22			PL : 4132		
2,5x350	135	5	2,7	13,5	CB+PF	PK	C	538410	16,66	44,98	333,22
3,2x350	150	3	4,7	14,1	CB+PF	PK	C	538427	15,49	72,82	485,48
4,0x350	100	3	4,8	14,4	CB+PF	PK	C	538434	15,09	72,43	724,33
5,0x450	70	3	6,5	19,5	CB+PF	PK	C	538441	15,39	100,03	1428,97
JUNGO 4465			AWS E310Mo-15*			EN E 25 22 2 N L B 22*			PL : 4132		
2,5x350	135	5	2,8	14,0	CB+PF	PK	C	538588	16,06	44,95	333,00
3,2x350	150	3	4,8	14,4	CB+PF	PK	C	538595	16,13	77,44	516,28
4,0x350	100	3	4,9	14,7	CB+PF	PK	C	538601	15,82	77,52	775,16
JUNGO 4500			AWS E385-16*			EN E 20 25 5 Cu N L R 12			PL : 4132		
2,5x350	145	5	2,9	14,5	CB+PF	PK	B	561609	19,51	56,58	390,21
3,2x350	185	3	5,7	17,1	CB+PF	PK	B	561715	19,58	111,59	603,22
4,0x350	125	3	5,9	17,7	CB+PF	PK	B	561821	19,32	113,99	911,90
AROSTA 4462			AWS E2209-16			EN E 22 9 3 N L R 32			PL : 4132		
2,5x350	120	5	2,6	13,0	CB+PF	PK	C	541687	10,73	27,91	232,55
2,5x350	69	10	1,5	15,0	SRP	PK	B	541625	12,55	18,82	272,72
3,2x350	152	3	5,0	15,0	CB+PF	PK	C	541694	9,87	49,35	324,66
3,2x350	52	8	1,8	14,4	SRP	PK	B	541632	11,45	20,61	396,25
4,0x350	80	3	4,8	14,4	CB+PF	PK	C	541700	9,54	45,79	572,36
4,0x350	29	10	1,6	16,0	SRP	PK	B	541649	11,15	17,84	615,11
5,0x350	55	3	4,6	13,8	CB+PF	PK	C	541717	9,39	43,19	785,36
5,0x350	24	8	2,0	16,0	SRP	PK	B	541656	10,77	21,53	897,09

(1) A: in stock - B: 2 to 4 weeks delivery - C: consult us for delivery time

(2) CB = Carton box ; CB+PF= Carton box + plastic foil ; PB : Plastic box ; SRP = Sahara Ready Pack ; AC = Aluminium can

Electrodes (continued)

Dia x length (mm)	Pieces per pack	Pack per carton	Weight (kg)		Package Type (2)	Sales Unit	Stock (1)	Product Number	Price (€)		
			Pack	Carton					Per kg	Per unit	Per 1000
JUNGO 4462			AWS E2209-15			EN E 22 9 3 N L B 22			PL : 4132		
2,5x350	112	5	2,3	11,5	CB+PF	PK	C	528749	13,05	30,01	267,91
2,5x350	67	10	1,4	14,0	SRP	PK	B	528718	14,07	19,70	293,98
3,2x350	152	3	5,0	15,0	CB+PF	PK	C	538359	9,68	48,39	318,35
3,2x350	53	8	1,8	14,4	SRP	PK	B	528725	12,30	22,14	417,73
4,0x350	103	3	5,0	15,0	CB+PF	PK	C	538366	10,79	53,93	523,61
4,0x350	30	10	1,5	15,0	SRP	PK	B	538404	12,43	18,64	621,39
JUNGO ZERON 100X			AWS E2595-15			EN E 25 9 4 N L B 42			PL : 4132		
2,5x350	69	10	1,4	14,0	SRP	PK	B	539035	35,44	49,61	719,04
3,2x350	52	8	1,8	14,4	SRP	PK	B	539042	34,60	62,29	1197,84
4,0x350	15	16	0,8	12,8	SRP	PK	B	539073	35,56	28,45	1896,59
AROSTA 309H			AWS E309H-16*			EN E 23 12 R 32*			PL : 4132		
2,5x350	120	5	2,6	13,0	CB+PF	PK	B	528312	9,01	23,42	195,14
3,2x350	130	3	4,8	14,4	CB+PF	PK	B	528329	8,35	40,06	308,15
4,0x350	90	3	4,9	14,7	CB+PF	PK	B	528336	7,81	38,28	425,36
JUNGO 309L			AWS E309L-15			EN E 23 12 L B 22			PL : 4132		
2,5x350					CB+PF	PK	C	536987			On request
3,2x350					CB+PF	PK	C	536994			On request
4,0x350					CB+PF	PK	C	537001			On request
AROSTA 309S			AWS E309L-16			EN E 23 12 L R 32			PL : 4133		
2,5x350	135	5	2,8	14,0	CB+PF	PK	A	528374	8,95	25,07	185,70
2,5x350	69	10	1,4	14,0	SRP	PK	C	528350	10,59	14,83	214,96
3,2x350	150	3	5,0	15,0	CB+PF	PK	A	528381	7,91	39,54	263,62
3,2x350	56	8	1,9	15,2	SRP	PK	C	528367	9,06	17,21	307,38
4,0x350	100	3	5,0	15,0	CB+PF	PK	B	528497	7,71	38,53	385,31
4,0x350	31	8	1,5	12,0	SRP	PK	C	528343	9,71	14,56	469,84
5,0x350	65	3	5,0	15,0	CB+PF	PK	C	567878	7,42	37,09	570,64
LIMAROSTA 309S			AWS E309L-17			EN E 23 12 L R 32			PL : 4133		
2,0x300	200	5	2,3	11,5	CB+PF	PK	C	557527	12,62	29,03	145,13
2,0x300	60	16	0,6	9,6	SRP	PK	C	539653	15,43	9,26	154,34
2,5x350	125	5	2,8	14,0	CB+PF	PK	A	557534	8,57	23,99	191,96
2,5x350	65	10	1,5	15,0	SRP	PK	B	539684	10,26	15,40	236,87
3,2x350	135	3	4,9	14,7	CB+PF	PK	A	557565	7,84	38,44	284,73
3,2x350	50	8	1,8	14,4	SRP	PK	B	539714	9,33	16,79	335,74
4,0x450	85	3	5,9	17,7	CB+PF	PK	B	557589	7,72	45,53	535,64
4,0x450	28	10	2,0	20,0	SRP	PK	B	539691	8,89	17,78	634,94
5,0x450	55	3	6,0	18,0	CB+PF	PK	C	557596	7,41	44,45	808,11

(1) A: In stock - B: 2 to 4 weeks delivery - C: consult us for delivery time

(2) CB = Carton box ; CB+PF= Carton box + plastic foil ; PB : Plastic box ; SRP = Sahara Ready Pack ; AC = Aluminium can

Stainless steel consumables

Effective date :
1-March-09
Supersedes :
1-Apr-08

Electrodes (continued)

Dia x length (mm)	Pieces per pack	Pack per carton	Weight (kg)		Package Type (2)	Sales Unit	Stock (1)	Product Number	Price (€)		
			Pack	Carton					Per kg	Per unit	Per 1000
AROSTA 309Mo			AWS E309LMo-16			EN E 23 12 2 L R 32			PL : 4133		
2,0x300	180	5	2,4	12,0	CB+PF	PK	B	528626	12,05	28,93	160,73
2,5x350	110	5	2,6	13,0	CB+PF	PK	A	528633	9,16	23,80	216,41
3,2x350	120	3	4,7	14,1	CB+PF	PK	A	528824	8,60	40,43	336,89
4,0x350	85	3	4,8	14,4	CB+PF	PK	A	528930	8,40	40,31	474,29
5,0x450	55	3	5,4	16,2	CB+PF	PK	B	528947	8,46	45,70	830,90
AROSTA 329			AWS E309LMo-16			EN E 25 4 R 12*			PL : 4133		
2,5x350	135	5	2,7	13,5	CB+PF	PK	C	532777	14,39	38,85	287,78
3,2x350	150	3	4,8	14,4	CB+PF	PK	C	532784	12,48	59,89	399,29
4,0x350	100	3	4,8	14,4	CB+PF	PK	C	532890	12,96	62,19	621,87
5,0x450	65	3	6,1	18,3	CB+PF	PK	C	533002	12,28	74,89	1152,22
NICHROMA			AWS E308LMo-16			EN E 20 10 3 R 32			PL : 4133		
2,0x300	225	5	2,5	12,5	CB+PF	PK	B	534450	12,08	30,19	134,18
2,5x350	135	5	2,7	13,5	CB+PF	PK	A	534467	8,53	23,02	170,54
3,2x350	150	3	4,9	14,7	CB+PF	PK	A	534658	7,50	36,77	245,12
4,0x350	100	3	5,0	15,0	CB+PF	PK	A	534764	7,18	35,92	359,19
5,0x350	65	3	5,0	15,0	CB+PF	PK	C	534870	7,81	39,06	600,85
NICHROMA 160			AWS E309Mo-26			EN E 23 12 2 L R 53*			PL : 4133		
3,2x450	90	3	6,1	18,3	CB+PF	PK	B	560558	10,59	64,63	718,08
4,0x450	55	3	5,9	17,7	CB+PF	PK	B	560565	10,30	60,75	1104,50
5,0x450	35	3	5,8	17,4	CB+PF	PK	C	560572	10,10	58,60	1674,43
LIMAROSTA 312			AWS E312-17			EN E 29 9 R 12			PL : 4133		
2,0x300	175	5	2,2	11,0	CB+PF	PK	C	539769	13,00	28,61	163,47
2,0x300	53	14	0,6	8,4	SRP	PK	C	539776	14,22	8,53	161,01
2,5x350	125	5	2,6	13,0	CB+PF	PK	B	557640	8,67	22,53	180,24
2,5x350	69	10	1,5	15,0	SRP	PK	C	539806	10,74	16,12	233,56
3,2x350	150	3	5,0	15,0	CB+PF	PK	A	557664	8,46	42,31	282,10
3,2x350	52	8	1,8	14,4	SRP	PK	C	539837	9,92	17,86	343,49
4,0x350	100	3	5,0	15,0	CB+PF	PK	B	557671	8,48	42,39	423,89
4,0x350	31	10	1,5	15,0	SRP	PK	C	539813	10,41	15,62	503,76
5,0x350	72	3	5,2	15,6	CB+PF	PK	C	557695	9,02	46,92	651,60
5,0x350	24	8	1,7	13,6	SRP	PK	C	539820	10,73	18,25	760,28
AROSTA 307			AWS E307-16*			EN E 18 8 Mn R 12			PL : 4133		
2,5x350	125	5	2,6	13,0	CB+PF	PK	B	527391	8,97	23,33	186,67
3,2x350	135	3	4,7	14,1	CB+PF	PK	B	527407	8,28	38,92	288,33
4,0x350	85	3	4,6	13,8	CB+PF	PK	B	527414	8,09	37,21	437,80
JUNGO 307			AWS E307-15*			EN E 18 8 Mn B 22			PL : 4133		
2,5x350	160	5	2,8	14,0	CB+PF	PK	C	536850	9,74	27,28	170,48
3,2x350	170	3	5,0	15,0	CB+PF	PK	C	536867	8,33	41,67	245,15
4,0x450	110	3	6,5	19,5	CB+PF	PK	C	536874	8,32	54,11	491,89

(1) A: in stock - B: 2 to 4 weeks delivery - C: consult us for delivery time

(2) CB = Carton box ; CB+PF= Carton box + plastic foil ; PB : Plastic box ; SRP = Sahara Ready Pack ; AC = Aluminium can

All prices are exclusive of VAT and are subject to Lincoln Electric standard terms and conditions of sales.
Due to constant improvements, Lincoln Electric reserve the right to amend any of the above without notification.

LINCOLN®
ELECTRIC

157

Electrodes (continued)

Dia x length (mm)	Pieces per pack	Pack per carton	Weight (kg)		Package Type (2)	Sales Unit	Stock (1)	Product Number	Price (€)		
			Pack	Carton					Per kg	Per unit	Per 1000
JUNGO 307 (continued)			AWS E307-15*			EN E 18 8 Mn B 22			PL : 4133		
5,0x450	70	3	6,5	19,5	CB+PF	PK	C	536881	7,80	50,70	724,29
INTHERMA 310			AWS E310-16			EN E 25 20 R 12			PL : 4132		
2,5x350	145	5	3,0	15,0	CB+PF	PK	B	535525	11,38	34,15	235,52
3,2x350	150	3	5,1	15,3	CB+PF	PK	B	535532	10,78	54,96	366,38
3,2x350	52	8	1,8	14,4	SRP	PK	C	535607	14,22	25,59	492,18
4,0x350	100	3	5,1	15,3	CB+PF	PK	B	535549	10,46	53,33	533,26
4,0x350	31	8	1,6	12,8	SRP	PK	C	535594	12,07	19,30	622,73
5,0x350	62	3	5,0	15,0	CB+PF	PK	B	535556	9,90	49,50	798,39

(1) A: in stock - B: 2 to 4 weeks delivery - C: consult us for delivery time

(2) CB = Carton box ; CB+PF= Carton box + plastic foil ; PB : Plastic box ; SRP = Sahara Ready Pack ; AC = Aluminium can

Flux-cored wires

Dia (mm)	Units per carton	Weight (kg)			Package Type	Sales Unit	Stock (1)	Product number	Price (€) Per kg
		Unit	Carton	Pallet					
COR-A-ROSTA 304L		AWS E308LT0-1/-4			ISO T 19 9 L R C/M 3			PL : 4631	
1,2	1	5,0	5,0	700,0	Wire reel S200	KG	C	585186	11,27
1,2	1	15,0	15,0	700,0	Plastic spool S300	KG	A	585155	10,45
1,6	1	15,0	15,0	700,0	Plastic spool S300	KG	C	585162	10,33
COR-A-ROSTA P304L		AWS E308LT1-1/-4			ISO T 19 9 L P C/M 2			PL : 4631	
1,2	1	15,0	15,0	700,0	Plastic spool S300	KG	A	585179	10,13
COR-A-ROSTA 347		AWS E347T0-1			ISO T 19 9 Nb R M 3			PL : 4631	
1,2	1	15,0	15,0	500,0	Plastic spool S300	KG	C	585544	15,64
COR-A-ROSTA 316L		AWS E316LT0-1/-4			ISO T 19 12 3 L R C/M 3			PL : 4631	
1,2	1	15,0	15,0	700,0	Plastic spool S300	KG	A	585308	13,47
1,6	1	15,0	15,0	700,0	Plastic spool S300	KG	C	585315	13,65
COR-A-ROSTA P316L		AWS E316LT1-1/-4			ISO T 19 12 3 L P C/M 2			PL : 4631	
1,2	2	5,0	10,0	700,0	Wire reel S200	KG	B	585353	13,97
1,2	1	15,0	15,0	700,0	Plastic spool S300	KG	A	585322	13,15
COR-A-ROSTA 309L		AWS E309LT0-1/-4			ISO T 23 12 L R C/M 3			PL : 4631	
1,2	2	5,0	10,0	700,0	Wire reel S200	KG	C	585292	12,65
1,2	1	15,0	15,0	700,0	Plastic spool S300	KG	A	585209	11,83
1,6	1	15,0	15,0	700,0	Plastic spool S300	KG	C	585216	11,73
COR-A-ROSTA P309L		AWS E309LT1-1/-4			ISO T 23 12 L P C/M 2			PL : 4631	
1,2	2	5,0	10,0	700,0	Wire reel S200	KG	B	585285	12,18
1,2	1	15,0	15,0	700,0	Plastic spool S300	KG	A	585223	11,36
COR-A-ROSTA 309MoL		AWS E309LMoT0-1/-4			ISO T 23 12 2 L R C/M 3			PL : 4631	
1,2	1	15,0	15,0	700,0	Plastic spool S300	KG	A	585254	13,92
COR-A-ROSTA P309MoL		AWS E309LMoT1-1/-4			ISO T 23 12 2 L P C/M 2			PL : 4631	
1,2	1	15,0	15,0	700,0	Plastic spool S300	KG	A	585247	18,79
COR-A-ROSTA 317L								PL : 4631	
1,2	1	12,5	12,5	700,0	Plastic spool S300	KG	C	585551	10,05
COR-A-ROSTA 4462		AWS E2209T0-4			ISO T 22 9 3 N L R M 3			PL : 4631	
1,2	1	15,0	15,0	700,0	Plastic spool S300	KG	A	585520	13,60
COR-A-ROSTA P4462		AWS E2209T1-1			ISO T 22 9 3 N L P M 2			PL : 4631	
1,2	1	15,0	15,0	700,0	Plastic spool S300	KG	A	585506	13,08

(1) A: in stock - B: 2 to 4 weeks delivery - C: consult us for delivery time

MIG wires Plus

Dia (mm)	Units per carton	Weight (kg)			Package Type	Sales Unit	Stock (1)	Product number	Price (€) Per kg
		Unit	Carton	Pallet					
LNM 304H		AWS ER308H			EN G 19 9 H			PL : 4231	
1,0	1	15,0	15,0	1080,0	BS300-LW	KG	A	583823	5,75
1,2	1	15,0	15,0	1080,0	BS300-LW	KG	A	583601	5,70
LNM 304LSI		AWS ER308LSI			EN G 19 9 LSI			PL : 4231	
0,8	1	5,0	5,0	500,0	S200-LW	KG	A	21501209	6,71
0,6	1	12,5	12,5	-	S300-LW	KG	C	580457	7,45
0,8	1	15,0	15,0	750,0	BS300-LW	KG	A	581386	5,53
1,0	1	15,0	15,0	750,0	BS300-LW	KG	A	581393	5,31
1,2	1	15,0	15,0	750,0	BS300-LW	KG	A	581409	5,18
1,6	1	15,0	15,0	1080,0	BS300-LW	KG	A	581416	5,06
LNM 307		AWS ER307*			EN G 18 8 Mn			PL : 4231	
0,8	1	15,0	15,0	-	BS300-LW	KG	A	21501214	5,75
1,0	1	15,0	15,0	750,0	BS300-LW	KG	A	581904	5,28
1,2	1	15,0	15,0	1080,0	BS300-LW	KG	A	581911	5,21
1,6	1	15,0	15,0	-	BS300-LW	KG	C	581942	5,09
LNM 309H		AWS ER309			EN G 23 12 L*			PL : 4231	
1,0	1	15,0	15,0	-	BS300-LW	KG	C	595765	8,40
1,2	1	15,0	15,0	-	BS300-LW	KG	C	595772	8,30
LNM 309LSI		AWS ER309LSI			EN G 23 12 LSI			PL : 4231	
0,8	1	15,0	15,0	1080,0	BS300-LW	KG	A	581669	7,29
1,0	1	15,0	15,0	750,0	BS300-LW	KG	A	595789	6,79
1,2	1	15,0	15,0	1080,0	BS300-LW	KG	A	595796	6,70
1,6	1	15,0	15,0	1080,0	BS300-LW	KG	C	581706	6,59
LNM 310		AWS ER310			EN G 25 20			PL : 4231	
0,8	1	15,0	15,0	1080,0	BS300-LW	KG	A	582390	10,21
1,0	1	15,0	15,0	1080,0	BS300-LW	KG	A	595871	9,84
1,2	1	15,0	15,0	750,0	BS300-LW	KG	A	581935	9,74
LNM 312								PL : 4231	
0,8	1	15,0	15,0	1080,0	BS300-LW	KG	C	582307	10,63
1,0	1	15,0	15,0	1080,0	BS300-LW	KG	C	582314	10,24
1,2	1	15,0	15,0	1080,0	BS300-LW	KG	C	582338	10,19
1,6	1	15,0	15,0	1080,0	BS300-LW	KG	C	582406	10,00
LNM 316LSI		AWS ER316LSI			EN G 19 12 3 LSI			PL : 4231	
0,8	2	5,0	10,0	500,0	S200-LW	KG	A	580631	7,86
0,8	1	15,0	15,0	750,0	BS300-LW	KG	A	581423	6,49
1,0	1	250,0	250,0	-	Drum	KG	C	581263	6,61
1,0	2	5,0	10,0	500,0	S200-LW	KG	A	580440	7,39
1,0	1	15,0	15,0	750,0	BS300-LW	KG	A	581430	6,24
1,2	1	15,0	15,0	750,0	BS300-LW	KG	A	581447	6,19

(1) A: in stock - B: 2 to 4 weeks delivery - C: consult us for delivery time

MIG wires Plus (continued)

Dia (mm)	Units per carton	Weight (kg)			Package Type	Sales Unit	Stock (1)	Product number	Price (€) Per kg
		Unit	Carton	Pallet					
LNM 316LSi (continued)		AWS ER316LSi			EN G 19 12 3 LSi			PL : 4231	
1,6	1	15,0	15,0	1080,0	BS300-LW	KG	A	581515	6,15
LNM 318Si		AWS ER318*			EN G 19 12 3 NbSi			PL : 4231	
0,8	1	15,0	15,0	1080,0	BS300-LW	KG	A	582222	7,76
1,0	1	15,0	15,0	1080,0	BS300-LW	KG	A	596014	7,53
1,2	1	15,0	15,0	1080,0	BS300-LW	KG	A	582246	7,46
1,6	1	15,0	15,0	1080,0	BS300-LW	KG	C	582260	7,40
LNM 347Si		AWS ER347Si			EN G 19 9 NbSi			PL : 4231	
0,8	1	15,0	15,0	1080,0	BS300-LW	KG	A	582253	6,29
1,0	1	15,0	15,0	1080,0	BS300-LW	KG	A	581249	6,01
1,2	1	15,0	15,0	1080,0	BS300-LW	KG	A	581256	5,96
LNM 4439Mn					EN G 18 16 5 NL*			PL : 4231	
0,8	1	15,0	15,0	-	BS300-LW	KG	C	582321	32,68
1,0	1	15,0	15,0	-	BS300-LW	KG	C	581782	30,28
1,2	1	15,0	15,0	-	BS300-LW	KG	C	581829	29,45
LNM 4455		AWS ER316LMn			EN G 20 16 3 Mn L			PL : 4231	
1,2	1	15,0	15,0	750,0	BS300-LW	KG	A	692129	21,60
1,6	1	15,0	15,0	750,0	BS300-LW	KG	C	692136	21,54
LNM 4362								PL : 4231	
1,2	1	15,0	15,0	1080,0	BS300-LW	KG	C	582093	10,66
1,6	1	15,0	15,0	1080,0	BS300-LW	KG	C	582086	10,83
LNM 4462		AWS ER2209			EN G 22 9 3 NL			PL : 4231	
0,8	1	15,0	15,0	1080,0	BS300-LW	KG	A	582345	10,39
1,0	1	15,0	15,0	1080,0	BS300-LW	KG	A	581980	9,76
1,2	1	15,0	15,0	1080,0	BS300-LW	KG	A	581997	9,60
1,6	1	15,0	15,0	1080,0	BS300-LW	KG	A	581966	9,48
LNM 4465					EN G 25 22 2 NL			PL : 4231	
0,8	1	15,0	15,0	1080,0	BS300-LW	KG	C	582352	25,64
1,0	1	15,0	15,0	1080,0	BS300-LW	KG	C	582000	24,56
1,2	1	15,0	15,0	1080,0	BS300-LW	KG	C	582017	23,33
LNM 4500		AWS ER385			EN G 20 25 5 Cu L			PL : 4231	
0,8	1	15,0	15,0	1080,0	BS300-LW	KG	C	582369	16,99
1,0	1	15,0	15,0	1080,0	BS300-LW	KG	A	582383	15,84
1,2	1	15,0	15,0	1080,0	BS300-LW	KG	A	582031	15,28

(1) A: in stock - B: 2 to 4 weeks delivery - C: consult us for delivery time

MIG wires Plus (continued)

Dia (mm)	Units per carton	Weight (kg)			Package Type	Sales Unit	Stock (1)	Product number	Price (€) Per kg
		Unit	Carton	Pallet					
LNM ZERON 100X		AWS ER2594			EN G 25 9 4 NL			PL : 4231	
1,0	1	12,5	12,5	-	B300-LW	KG	C	21501160	46,89
1,2	1	12,5	12,5	-	B300-LW	KG	A	595604	43,90
1,6	1	12,5	12,5	-	B300-LW	KG	C	595611	40,91

(1) A: in stock - B: 2 to 4 weeks delivery - C: consult us for delivery time

MIG wires

Dia (mm)	Units per carton	Weight (kg)			Package Type	Sales Unit	Stock (1)	Product number	Price (€) Per kg
		Unit	Carton	Pallet					
LINCOLN MIG-307		AWS ER307*			EN G18 8 Mn		PL : 4231		
1,2	1	15,0	15,0	-	B300-LW	KG	C	584479	4,40
LINCOLN MIG-308LSi		AWS ER308LSi			EN G19 9 LSi		PL : 4231		
0,8	1	15,0	15,0	-	BS300-LW	KG	C	584028	4,85
1,0	1	15,0	15,0	-	BS300-LW	KG	C	584035	4,46
1,2	1	15,0	15,0	-	BS300-LW	KG	C	584042	4,36
1,6	1	15,0	15,0	-	BS300-LW	KG	C	584530	4,20
LINCOLN MIG-309LSi		AWS ER309LSi			EN G23 12 LSi		PL : 4231		
0,8	1	15,0	15,0	-	BS300-LW	KG	C	584097	7,15
1,0	1	15,0	15,0	-	BS300-LW	KG	C	584103	6,75
1,2	1	15,0	15,0	-	BS300-LW	KG	C	584127	6,66
1,6	1	15,0	15,0	-	BS300-LW	KG	C	584134	6,50
LINCOLN MIG-316LSi		AWS ER316LSi			EN G19 12 3 LSi		PL : 4231		
0,8	1	15,0	15,0	-	BS300-LW	KG	C	584158	7,25
1,0	1	15,0	15,0	-	BS300-LW	KG	C	584165	6,86
1,2	1	15,0	15,0	-	BS300-LW	KG	C	584172	6,76
1,6	1	15,0	15,0	-	BS300-LW	KG	C	581202	6,59

(1) A: in stock - B: 2 to 4 weeks delivery - C: consult us for delivery time

TIG Rods Plus

Dia (mm)	Length (mm)	Units per carton	Weight (kg)		Package Type	Sales Unit	Stock (1)	Product number	Price (€) Per kg
			Unit	Carton					
LNT 304H			AWS ER308H			ISO W 19 9 H			PL : 4331
2,0	1000	1	2,0	2,0	PE Tube	KG	C	605068	6,39
2,0	1000	1	10,0	10,0	Carton box	KG	A	600490	6,00
2,4	1000	1	2,0	2,0	PE Tube	KG	C	605075	6,21
2,4	1000	1	10,0	10,0	Carton box	KG	A	600506	5,81
3,2	1000	1	2,0	2,0	PE Tube	KG	C	605082	6,14
3,2	1000	1	10,0	10,0	Carton box	KG	C	600513	5,74
LNT 304L			AWS ER308L			ISO W 19 9 L			PL : 4331
1,6	1000	1	10,0	10,0	PE Tube	KG	A	600469	5,79
2,0	1000	1	10,0	10,0	Carton box	KG	A	600476	5,65
2,4	1000	1	5,0	5,0	PE Tube	KG	B	595475	5,53
2,4	1000	1	10,0	10,0	Carton box	KG	A	600483	5,45
3,2	1000	1	5,0	5,0	PE Tube	KG	B	595482	5,53
3,2	1000	1	10,0	10,0	Carton box	KG	A	600520	5,45
LNT 304LSi			AWS ER308LSi			ISO W 19 9 LSi			PL : 4331
1,0	1000	1	2,0	2,0	PE Tube	KG	A	605266	7,55
1,0	1000	1	5,0	5,0	PE Tube	KG	C	580174	7,23
1,0	1000	1	10,0	10,0	Carton box	KG	A	600407	7,16
1,2	1000	1	2,0	2,0	PE Tube	KG	A	605273	6,73
1,2	1000	1	5,0	5,0	PE Tube	KG	C	580198	6,40
1,2	1000	1	10,0	10,0	Carton box	KG	A	600414	6,33
1,6	1000	1	2,0	2,0	PE Tube	KG	A	605280	5,96
1,6	1000	1	5,0	5,0	PE Tube	KG	A	582512	5,85
1,6	1000	1	10,0	10,0	Carton box	KG	A	600421	5,79
2,0	1000	1	2,0	2,0	PE Tube	KG	A	605303	5,81
2,0	1000	1	5,0	5,0	PE Tube	KG	A	582796	5,73
2,0	1000	1	10,0	10,0	Carton box	KG	A	600438	5,65
2,4	1000	1	2,0	2,0	PE Tube	KG	A	605327	5,84
2,4	1000	1	5,0	5,0	PE Tube	KG	A	582802	5,53
2,4	1000	1	10,0	10,0	Carton box	KG	A	600445	5,45
3,2	1000	1	2,0	2,0	PE Tube	KG	A	605341	5,61
3,2	1000	1	5,0	5,0	PE Tube	KG	A	583045	5,53
3,2	1000	1	10,0	10,0	Carton box	KG	A	600452	5,45
LNT 309LSi			AWS ER309LSi			ISO W 23 12 LSi			PL : 4331
1,0	1000	1	10,0	10,0	Carton box	KG	C	606003	8,80
1,0	1000	1	2,0	2,0	PE Tube	KG	C	604559	9,19
1,2	1000	1	2,0	2,0	PE Tube	KG	C	604573	8,34
1,2	1000	1	10,0	10,0	Carton box	KG	C	606010	7,94
1,6	1000	1	2,0	2,0	PE Tube	KG	A	604597	8,13
1,6	1000	1	5,0	5,0	PE Tube	KG	A	604405	7,80
1,6	1000	1	10,0	10,0	Carton box	KG	A	606027	7,73
2,0	1000	1	2,0	2,0	PE Tube	KG	A	604610	7,99
2,0	1000	1	5,0	5,0	PE Tube	KG	A	604566	7,66

(1) A: in stock - B: 2 to 4 weeks delivery - C: consult us for delivery time

TIG Rods Plus (continued)

Dia (mm)	Length (mm)	Units per carton	Weight (kg)		Package Type	Sales Unit	Stock (1)	Product number	Price (€) Per kg
			Unit	Carton					
LNT 309LSi (continued)			AWS ER309LSi			ISO W 23 12 LSi			PL : 4331
2,0	1000	1	10,0	10,0	Carton box	KG	A	606034	7,60
2,4	1000	1	2,0	2,0	PE Tube	KG	A	604634	7,79
2,4	1000	1	5,0	5,0	PE Tube	KG	A	604641	7,46
2,4	1000	1	10,0	10,0	Carton box	KG	A	606041	7,40
3,2	1000	1	2,0	2,0	PE Tube	KG	B	604658	7,79
3,2	1000	1	5,0	5,0	PE Tube	KG	B	604665	7,46
3,2	1000	1	10,0	10,0	Carton box	KG	A	606058	7,40
LNT 309LHF			AWS ER309L			EN W 23 12 L			PL : 4331
1,6	1000	1	10,0	10,0	Carton box	KG	A	604737	8,04
1,6	1000	1	10,0	10,0	Carton box	KG	A	600636	7,64
2,0	1000	1	10,0	10,0	Carton box	KG	C	600643	7,50
2,4	1000	1	10,0	10,0	Carton box	KG	C	600650	7,25
LNT 310			AWS ER310			ISO W 25 20			PL : 4331
1,6	1000	1	2,0	2,0	PE Tube	KG	C	604771	10,73
1,6	1000	1	10,0	10,0	Carton box	KG	C	603262	10,34
2,0	1000	1	2,0	2,0	PE Tube	KG	A	604788	10,53
2,0	1000	1	10,0	10,0	Carton box	KG	A	603279	10,14
2,4	1000	1	2,0	2,0	PE Tube	KG	A	604795	10,28
2,4	1000	1	10,0	10,0	Carton box	KG	A	603286	9,89
3,2	1000	1	2,0	2,0	Carton box	KG	C	603293	10,21
3,2	1000	1	10,0	10,0	Carton box	KG	C	603309	9,81
LNT 316L			AWS ER316L			ISO W 19 12 3 L			PL : 4331
1,6	1000	1	10,0	10,0	Carton box	KG	A	600841	6,79
2,0	1000	1	5,0	5,0	PE Tube	KG	C	600889	6,73
2,0	1000	1	10,0	10,0	Carton box	KG	A	600810	6,65
2,4	1000	1	10,0	10,0	Carton box	KG	A	600827	6,45
3,2	1000	1	10,0	10,0	Carton box	KG	C	600834	6,45
LNT 316LSi			AWS ER316LSi			ISO W 19 12 3 LSi			PL : 4331
1,0	1000	1	2,0	2,0	PE Tube	KG	A	605167	8,64
1,0	1000	1	5,0	5,0	PE Tube	KG	C	580259	8,31
1,0	1000	1	10,0	10,0	Carton box	KG	A	600759	8,24
1,2	1000	1	2,0	2,0	PE Tube	KG	A	605174	7,71
1,2	1000	1	5,0	5,0	PE Tube	KG	C	580235	7,39
1,2	1000	1	10,0	10,0	Carton box	KG	A	600766	7,31
1,6	1000	1	2,0	2,0	PE Tube	KG	A	605181	7,18
1,6	1000	1	5,0	5,0	PE Tube	KG	A	583915	6,85
1,6	1000	1	10,0	10,0	Carton box	KG	A	600773	6,79
2,0	1000	1	2,0	2,0	PE Tube	KG	A	605204	7,05
2,0	1000	1	5,0	5,0	PE Tube	KG	A	583922	6,73
2,0	1000	1	10,0	10,0	Carton box	KG	A	600780	6,65
2,4	1000	1	2,0	2,0	PE Tube	KG	A	605228	6,85

(1) A: in stock - B: 2 to 4 weeks delivery - C: consult us for delivery time

TIG Rods Plus (continued)

Dia (mm)	Length (mm)	Units per carton	Weight (kg)		Package Type	Sales Unit	Stock (1)	Product number	Price (€) Per kg
			Unit	Carton					
LNT 316LSi (continued)			AWS ER316LSi			ISO W 19 12 3 LSi			PL : 4331
2,4	1000	1	5,0	5,0	PE Tube	KG	A	582819	6,53
2,4	1000	1	10,0	10,0	Carton box	KG	A	600797	6,45
3,2	1000	1	2,0	2,0	PE Tube	KG	A	605242	6,85
3,2	1000	1	5,0	5,0	PE Tube	KG	A	583571	6,53
3,2	1000	1	10,0	10,0	Carton box	KG	A	600803	6,45
4,0	1000	1	10,0	10,0	Carton box	KG	C	600957	6,45
LNT 318Si			AWS ER318*			ISO W 19 12 3 NbSi			PL : 4331
1,0	1000	1	10,0	10,0	Carton box	KG	C	600964	8,71
1,2	1000	1	2,0	2,0	PE Tube	KG	C	605921	8,21
1,2	1000	1	10,0	10,0	Carton box	KG	A	600704	7,81
1,6	1000	1	2,0	2,0	PE Tube	KG	A	604399	8,06
1,6	1000	1	10,0	10,0	Carton box	KG	A	600711	7,66
2,0	1000	1	2,0	2,0	PE Tube	KG	A	604412	7,91
2,0	1000	1	10,0	10,0	Carton box	KG	A	600728	7,53
2,4	1000	1	2,0	2,0	PE Tube	KG	A	604436	7,69
2,4	1000	1	10,0	10,0	Carton box	KG	A	600735	7,29
3,2	1000	1	2,0	2,0	PE Tube	KG	C	604450	7,64
3,2	1000	1	10,0	10,0	Carton box	KG	A	600742	7,24
LNT 347Si			AWS ER347Si			ISO W 19 9 NbSi			PL : 4331
1,6	1000	1	2,0	2,0	PE Tube	KG	A	604474	6,96
1,6	1000	1	10,0	10,0	Carton box	KG	A	600667	6,58
2,0	1000	1	2,0	2,0	PE Tube	KG	A	604498	6,69
2,0	1000	1	10,0	10,0	Carton box	KG	A	600674	6,29
2,4	1000	1	2,0	2,0	PE Tube	KG	A	604511	6,49
2,4	1000	1	10,0	10,0	Carton box	KG	A	600681	6,09
3,2	1000	1	2,0	2,0	PE Tube	KG	A	604535	6,33
3,2	1000	1	10,0	10,0	Carton box	KG	A	600698	5,93
LNT 4439Mn						ISO W 18 16 5 N L*			PL : 4331
1,6	1000	1	2,0	2,0	PE Tube	KG	C	605662	32,86
1,6	1000	1	5,0	5,0	PE Tube	KG	A	605928	32,54
2,0	1000	1	2,0	2,0	PE Tube	KG	A	605679	32,08
2,0	1000	1	5,0	5,0	PE Tube	KG	A	605935	31,75
2,4	1000	1	2,0	2,0	PE Tube	KG	A	605877	31,83
2,4	1000	1	5,0	5,0	PE Tube	KG	C	605942	31,51
LNT 4455			AWS ER316LMn			ISO G 20 16 3 Mn L			PL : 4331
2,0	1000	1	2,0	2,0	PE Tube	KG	C	605693	22,18
2,0	1000	1	10,0	10,0	Carton box	KG	C	600582	21,78
2,4	1000	1	2,0	2,0	PE Tube	KG	C	605891	22,08
2,4	1000	1	10,0	10,0	Carton box	KG	C	600599	21,69

(1) A: in stock - B: 2 to 4 weeks delivery - C: consult us for delivery time

TIG Rods Plus (continued)

Dia (mm)	Length (mm)	Units per carton	Weight (kg)		Package Type	Sales Unit	Stock (1)	Product number	Price (€) Per kg
			Unit	Carton					
LNT 4462			AWS ER2209			ISO W 22 9 3 N L			PL : 4331
1,6	1000	1	2,0	2,0	PE Tube	KG	A	605495	10,16
1,6	1000	1	10,0	10,0	Carton box	KG	A	601350	9,98
2,0	1000	1	2,0	2,0	PE Tube	KG	A	605501	10,09
2,0	1000	1	10,0	10,0	Carton box	KG	A	601367	9,70
2,4	1000	1	2,0	2,0	PE Tube	KG	A	605518	9,85
2,4	1000	1	10,0	10,0	Carton box	KG	A	601374	9,46
3,2	1000	1	2,0	2,0	PE Tube	KG	A	605532	9,58
3,2	1000	1	10,0	10,0	Carton box	KG	A	601381	9,18
LNT 4465			AWS ER2209			ISO W 25 22 2 N L			PL : 4331
1,6	1000	1	2,0	2,0	Carton box	KG	C	605945	27,36
2,0	1000	1	2,0	2,0	PE Tube	KG	C	605433	24,95
2,0	1000	1	5,0	5,0	PE Tube	KG	C	605358	24,63
2,4	1000	1	2,0	2,0	PE Tube	KG	C	605440	23,50
2,4	1000	1	5,0	5,0	PE Tube	KG	C	605365	23,18
LNT 4500			AWS ER385			ISO W 20 25 5 Cu L			PL : 4331
1,6	1000	1	2,0	2,0	PE Tube	KG	C	605884	16,08
2,0	1000	1	2,0	2,0	PE Tube	KG	A	605709	15,64
1,6	1000	1	10,0	10,0	Carton Box	KG	A	606348	15,69
2,0	1000	1	10,0	10,0	Carton Box	KG	A	606355	15,25
2,4	1000	1	2,0	2,0	PE Tube	KG	A	605716	15,41
2,4	1000	1	10,0	10,0	Carton Box	KG	A	606362	15,01
LNT ZERON 100X			AWS ER2594			EN W 25 9 4 N L			PL : 4331
1,6	1000	1	2,0	2,0	PE Tube	KG	A	605808	44,36
2,0	1000	1	2,0	2,0	PE Tube	KG	A	605976	43,14
2,4	1000	1	2,0	2,0	PE Tube	KG	A	605815	41,80
3,2	1000	1	2,0	2,0	PE Tube	KG	A	605853	38,96

(1) A: in stock - B: 2 to 4 weeks delivery - C: consult us for delivery time

TIG Rods

Dia (mm)	Length (mm)	Units per carton	Weight (kg)		Package Type	Sales Unit	Stock (1)	Product number	Price (€) Per kg
			Unit	Carton					
LINCOLN-TIG 308LSi			AWS ER308LSi		EN W19 9 LSi			PL : 4331	
1,2	1000	1	5,0	5,0	PE Tube	KG	C	584257	5,06
1,6	1000	1	5,0	5,0	PE Tube	KG	C	584226	4,34
2,0	1000	1	5,0	5,0	PE Tube	KG	C	584233	4,19
2,4	1000	1	5,0	5,0	PE Tube	KG	C	584240	4,08
3,2	1000	1	5,0	5,0	PE Tube	KG	A	584264	4,03
LINCOLN-TIG 309LSi			AWS ER309LSi		EN W23 12 LSi			PL : 4331	
1,2	1000	1	5,0	5,0	PE Tube	KG	C	584325	7,39
1,6	1000	1	5,0	5,0	PE Tube	KG	C	584295	6,66
2,0	1000	1	5,0	5,0	PE Tube	KG	C	584301	6,49
2,4	1000	1	5,0	5,0	PE Tube	KG	C	584318	6,40
3,2	1000	1	5,0	5,0	PE Tube	KG	C	584332	6,34
LINCOLN-TIG 316LSi			AWS ER316LSi		EN W19 12 3 LSi			PL : 4331	
1,2	1000	1	5,0	5,0	PE Tube	KG	C	584394	7,48
1,6	1000	1	5,0	5,0	PE Tube	KG	C	584363	6,76
2,0	1000	1	5,0	5,0	PE Tube	KG	C	584370	6,60
2,4		1	5,0	5,0	PE Tube	KG	C	584387	6,49
3,2		1	5,0	5,0	PE Tube	KG	C	584400	6,43

(1) A: in stock - B: 2 to 4 weeks delivery - C: consult us for delivery time

Subarc wires & fluxes

Dia (mm)	Units per carton	Weight (kg)			Package Type	Sales Unit	Stock (1)	Product number	Price (€) Per kg
		Unit	Carton	Pallet					
LNS CrMn 18/7		AWS ER307*			EN S 18 8 Mn		PL : 4431		
3,2	1	25,0	25,0	500,0	Coil	KG	C	594058	5,73
LNS 304H		AWS ER308H			EN S 19 9 H		PL : 4431		
2,4	1	25,0	25,0	-	Coil	KG	C	598919	6,69
3,2	1	25,0	25,0	900,0	Coil	KG	C	598865	6,69
LNS 304L		AWS ER308L			EN S 19 9 L		PL : 4431		
2,0	1	25,0	25,0	-	Coil	KG	C	598237	5,82
LNS 304 L		AWS ER308L			EN S 19 9 L		PL : 4431		
2,4	1	25,0	25,0	750,0	Coil	KG	A	598230	5,71
3,2	1	25,0	25,0	750,0	Coil	KG	A	598353	5,58
4,0	1	25,0	25,0	-	Coil	KG	A	598254	5,58
LNS 307		AWS ER308L			EN S 18 8 Mn		PL : 4431		
2,4	1	25,0	25,0	-	Coil	KG	C	597004	5,78
4,0	1	25,0	25,0	960,0	Coil	KG	C	597011	5,65
LNS 309L		AWS ER309L			EN S 23 12 L		PL : 4431		
2,0	1	25,0	25,0	800,0	Coil	KG	C	598155	7,15
2,4	1	25,0	25,0	1000,0	Coil	KG	A	598025	6,99
3,2	1	25,0	25,0	900,0	Coil	KG	A	598568	6,86
4,0	1	20,0	20,0	1000,0	Coil	KG	A	597356	6,76
LNS 316L		AWS ER316L			EN S 19 12 3 L		PL : 4431		
2,0	1	25,0	25,0	750,0	Coil	KG	C	598278	6,54
2,4	1	25,0	25,0	1000,0	Coil	KG	A	598261	6,40
3,2	1	25,0	25,0	750,0	Coil	KG	A	598360	6,40
4,0	1	25,0	25,0	750,0	Coil	KG	A	598285	6,33
LNS 318		AWS ER318			EN S 19 12 3 Nb		PL : 4431		
2,0	1	25,0	25,0	1000,0	Coil	KG	C	598483	8,04
2,4	1	25,0	25,0	750,0	Coil	KG	C	598322	7,78
3,2	1	25,0	25,0	750,0	Coil	KG	C	598339	7,65
4,0	1	25,0	25,0	1000,0	Coil	KG	C	598346	7,65
LNS 347		AWS ER347			EN S 19 9 Nb		PL : 4431		
2,0	1	25,0	25,0	1000,0	Coil	KG	A	598414	6,79
2,4	1	25,0	25,0	750,0	Coil	KG	C	598292	6,54
3,2	1	25,0	25,0	750,0	Coil	KG	A	598308	6,37
4,0	1	25,0	25,0	1080,0	Coil	KG	C	598315	6,37

(1) A: in stock - B: 2 to 4 weeks delivery - C: consult us for delivery time

Subarc wires & fluxes (continued)

Dia (mm)	Units per carton	Weight (kg)			Package Type	Sales Unit	Stock (1)	Product number	Price (€) Per kg	
		Unit	Carton	Pallet						
LNS 4455					<i>EN S 20 16 3 Mn L</i>			<i>PL : 4431</i>		
3,0	1	25,0	25,0	-	Coil	KG	C	594089	21,96	
LNS 4462					<i>AWS ER2209</i>			<i>EN S 22 9 3 N L</i>		
2,4	1	25,0	25,0	1080,0	Coil	KG	A	598797	11,42	
3,2	1	25,0	25,0	1000,0	Coil	KG	A	598780	11,18	
LNS 4500					<i>AWS ER385</i>			<i>EN S 20 25 5 Cu L</i>		
3,2	1	25,0	25,0	-	Coil	KG	C	598872	15,67	
LNS ZERON 100X					<i>AWS ER 2553*</i>			<i>EN S 25 9 4 N L</i>		
1,6	1	25,0	25,0	-	Coil	KG	C	596656	41,87	
2,4	1	25,0	25,0	-	Coil	KG	C	596649	44,47	
3,2	1	25,0	25,0	-	Metal coil	KG	C	21501185	44,47	
Weight (kg)		Package Type	Sales Unit	Stock (1)	Product Number	Price (€) per kg				
Unit	Pallet									
P2000							<i>EN S A AF 2 63 DC H5</i>		<i>PL : 4822</i>	
25,0	1000,0	Bag	KG	A	FXP2000-25	1,45				
25,0	1000,0	Sahara Ready Bag	KG	A	FXP2000-25SRB	1,50				
P2007							<i>EN S A AF 2 63 AC H5</i>		<i>PL : 4822</i>	
25,0	1000,0	Bag	KG	C	FXP2007-25	1,35				
25,0	1000,0	Sahara Ready Bag	KG	C	FXP2007-25SRB	1,38				
P2000S							<i>EN S A AF 2 64Cr DC H5</i>		<i>PL : 4822</i>	
25,0	1000,0	Bag	KG	B	FXP2000S-25	3,42				
25,0	1000,0	Sahara Ready Bag	KG	B	FXP2000S-25SRB	3,45				
P7000							<i>EN S A AB/AR 2 69 AC H5</i>		<i>PL : 4822</i>	
25,0	1000,0	Bag	KG	C	FXP7000-25	3,40				
25,0	1000,0	Sahara Ready Bag	KG	C	FXP7000-25SRB	3,43				
40,0	480,0	Drum	KG	C	110234	3,97				

(1) A: in stock - B: 2 to 4 weeks delivery - C: consult us for delivery time

Electrodes

Dia x length (mm)	Pieces per pack	Pack per carton	Weight (kg)		Package Type (2)	Sales Unit	Stock (1)	Product Number	Price (€)			
			Pack	Carton					Per kg	Per unit	Per 1000	
WEARSHIELD 15CrMn									EN E Fe9			PL : 4142
3,2x355	49	1	2,5	2,5	PE Tube	PK	B	400069	9,78	24,44	498,80	
4,0x355	33	1	2,5	2,5	PE Tube	PK	B	400076	13,35	33,38	1011,59	
4,8x355	24	1	2,5	2,5	PE Tube	PK	B	400083	9,47	23,68	986,52	
WEARSHIELD 420									EN E Fe8			PL : 4142
3,2x350	51	1	2,5	2,5	PE Tube	PK	B	400403	6,00	15,00	294,12	
4,0x350	36	1	2,5	2,5	PE Tube	PK	B	400410	5,52	13,79	383,17	
5,0x450	22	1	2,5	2,5	PE Tube	PK	B	400427	3,96	9,91	450,53	
WEARSHIELD 44									AWS EFe14			PL : 4142
4,0x355	-	1	2,5	2,5	PE Tube	PK	B	400298	16,54	41,35	-	
4,8x355	27	1	2,5	2,5	PE Tube	PK	B	400304	7,42	18,56	687,36	
WEARSHIELD 50MC									AWS EFe16			PL : 4142
3,2x350	41	1	2,5	2,5	PE Tube	PK	C	401172	14,54	36,35	886,66	
4,0x350	27	1	2,5	2,5	PE Tube	PK	C	401189	14,07	35,18	1302,83	
WEARSHIELD 60 (E)									AWS EFe15			PL : 4142
3,2x350	-	1	2,5	2,5	PE Tube	PK	A	400502	6,02	15,06	-	
3,2x450	37	1	2,5	2,5	PE Tube	PK	B	400359	7,42	18,56	501,59	
4,0x350	-	1	2,5	2,5	PE Tube	PK	A	400519	5,81	14,53	-	
4,0x450	23	1	2,5	2,5	PE Tube	PK	B	400366	7,33	18,32	796,68	
WEARSHIELD 70									AWS EFe16			PL : 4142
3,2x350	38	1	2,5	2,5	PE Tube	PK	B	401196	26,02	65,06	1712,07	
4,0x350	27	1	2,5	2,5	PE Tube	PK	B	401202	26,05	65,12	2411,76	
5,0x350	16	1	2,5	2,5	PE Tube	PK	C	401219	26,00	65,00	4062,50	
WEARSHIELD ABR									AWS EFe6			PL : 4142
3,2x355	85	1	2,5	2,5	PE Tube	PK	B	400250	3,86	9,65	113,49	
4,0x355	54	1	2,5	2,5	PE Tube	PK	B	400267	6,65	16,62	307,73	
4,8x355	38	1	2,5	2,5	PE Tube	PK	B	400274	3,24	8,09	212,85	
WEARSHIELD BU 30									EN E Fe1			PL : 4141
3,2x350	65	1	2,5	2,5	PE Tube	PK	B	400021	3,82	9,56	147,06	
4,0x350	44	1	2,5	2,5	PE Tube	PK	B	400038	3,71	9,26	210,56	
5,0x450	23	1	2,5	2,5	PE Tube	PK	C	401080	4,64	11,59	503,84	
WEARSHIELD MANGJET (E)									EN E Fe9			PL : 4142
3,2x350	53	1	2,5	2,5	PE Tube	PK	C	400045	5,85	14,62	275,80	
4,0x350	24	1	2,5	2,5	PE Tube	PK	C	400052	5,49	13,74	572,30	

(1) A: in stock - B: 2 to 4 weeks delivery - C: consult us for delivery time

(2) CB = Carton box ; CB+PF= Carton box + plastic foil ; PB : Plastic box ; SRP = Sahara Ready Pack ; AC = Aluminium can

Electrodes (continued)

Dia x length (mm)	Pieces per pack	Pack per carton	Weight (kg)		Package Type (2)	Sales Unit	Stock (1)	Product Number	Price (€)		
			Pack	Carton					Per kg	Per unit	Per 1000
WEARSHIELD ME (E)			AWS EFe14						PL : 4142		
3,2x450	37	1	2,5	2,5	PE Tube	PK	B	400328	6,75	16,88	456,28
4,0x450	23	1	2,5	2,5	PE Tube	PK	B	400335	5,34	13,35	580,56
5,0x450	15	1	2,5	2,5	PE Tube	PK	B	400342	5,74	14,35	956,86
WEARSHIELD MI (E)			AWS EFe6						PL : 4141		
2,5x350	117	1	2,5	2,5	PE Tube	PK	C	400212	6,82	17,06	145,80
3,2x350	69	1	2,5	2,5	PE Tube	PK	B	400229	6,52	16,29	236,15
4,0x450	38	1	2,5	2,5	PE Tube	PK	B	400236	4,26	10,65	280,19
5,0x450	25	1	2,5	2,5	PE Tube	PK	C	400243	4,54	11,35	454,12
WEARSHIELD MM			EN E Fe2						PL : 4141		
3,2x350	66	1	2,5	2,5	PE Tube	PK	B	400151	4,26	10,65	161,32
4,0x350	45	1	2,5	2,5	PE Tube	PK	B	400168	4,81	12,03	267,32
5,0x450	22	1	2,5	2,5	PE Tube	PK	B	400175	5,07	12,68	576,20
6,0x450	-	1	2,5	2,5	PE Tube	PK	C	401103	4,71	11,76	-
WEARSHIELD MM40			EN E Fe1						PL : 4141		
3,2x350	66	1	2,5	2,5	PE Tube	PK	B	400120	4,85	12,12	183,60
4,0x350	43	1	2,5	2,5	PE Tube	PK	B	400137	4,61	11,53	268,13
5,0x450	22	1	2,5	2,5	PE Tube	PK	B	400144	4,36	10,91	495,99
WEARSHIELD T&D			AWS EFe6						PL : 4142		
2,5x350	85	1	2,5	2,5	PE Tube	PK	B	400182	8,88	22,21	261,25
3,2x350	56	1	2,5	2,5	PE Tube	PK	B	400199	9,07	22,68	404,94
4,0x350	35	1	2,5	2,5	PE Tube	PK	B	400205	8,20	20,50	585,71
REPTEC 126			AWS E307-26*						EN E 18 8 Mn R 53		
									PL : 4133		
2,5x250	116	1	2,5	2,5	PE Tube	PK	B	400748	13,40	33,50	288,79
3,2x350	48	1	2,5	2,5	PE Tube	PK	B	400755	10,25	25,63	533,85
4,0x350	25	1	2,5	2,5	PE Tube	PK	B	400762	11,35	28,38	1135,00
5,0x450	17	1	2,5	2,5	PE Tube	PK	B	400779	11,77	29,42	1730,39
REPTEC CAST 1			AWS ENi-CI						ISO E C Ni-CI 1		
									PL : 4151		
2,5x300	146	1	2,5	2,5	PE Tube	PK	A	400885	30,02	75,04	513,98
3,2x350	76	1	2,5	2,5	PE Tube	PK	A	400892	28,75	71,88	945,72
4,0x400	44	1	2,5	2,5	PE Tube	PK	B	400908	29,62	74,04	1682,77
REPTEC CAST 3			AWS ENiFe-CI						ISO E C NiFe-CI 1		
									PL : 4151		
2,5x300	155	1	2,5	2,5	PE Tube	PK	B	401035	24,08	60,21	388,44
3,2x300	95	1	2,5	2,5	PE Tube	PK	B	401042	22,72	56,79	597,81
4,0x350	54	1	2,5	2,5	PE Tube	PK	B	401059	23,05	57,63	1067,13

(1) A: in stock - B: 2 to 4 weeks delivery - C: consult us for delivery time

(2) CB = Carton box ; CB+PF= Carton box + plastic foil ; PB : Plastic box ; SRP = Sahara Ready Pack ; AC = Aluminium can

Electrodes (continued)

Dia x length (mm)	Pieces per pack	Pack per carton	Weight (kg)		Package Type (2)	Sales Unit	Stock (1)	Product Number	Price (€)		
			Pack	Carton					Per kg	Per unit	Per 1000
REPTEC CAST 31			<i>AWS ENiFe-CI</i>			<i>ISO E C NiFe-CI 1</i>			<i>PL : 4151</i>		
2,5x300	154	1	2,5	2,5	PE Tube	PK	B	400915	23,37	58,42	379,33
3,2x350	82	1	2,5	2,5	PE Tube	PK	B	400922	24,88	62,21	758,64
4,0x400	47	1	2,5	2,5	PE Tube	PK	B	400939	24,85	62,13	1321,81
REPTEC CAST 6			<i>AWS ENiCu-B</i>			<i>ISO EC NiCuB-1*</i>			<i>PL : 4151</i>		
2,5x300	225	1	2,5	2,5	PE Tube	PK	C	401318	22,55	56,38	250,56
3,2x350	135	1	2,5	2,5	PE Tube	PK	C	401325	21,92	54,79	405,86
4,0x400	88	1	2,5	2,5	PE Tube	PK	C	401332	22,60	56,50	642,05
REPTEC AI 5			<i>AWS 4043</i>			<i>ISO AI 4043A*</i>			<i>PL : 4151</i>		
2,5x350	222	1	2,0	2,0	PE Tube	PK	B	400960	27,98	55,97	252,10
3,2x350	152	1	2,0	2,0	PE Tube	PK	B	400977	28,18	56,37	370,83
REPTEC AI 12						<i>ISO AI 4047A</i>			<i>PL : 4151</i>		
2,5x350	227	1	2,0	2,0	PE Tube	PK	B	400946	28,97	57,93	255,21
3,2x350	152	1	2,0	2,0	PE Tube	PK	B	400953	29,30	58,60	385,53

(1) A: in stock - B: 2 to 4 weeks delivery - C: consult us for delivery time

(2) CB = Carton box ; CB+PF= Carton box + plastic foil ; PB : Plastic box ; SRP = Sahara Ready Pack ; AC = Aluminium can

Electrodes

Dia x length (mm)	Pieces per pack	Pack per carton	Weight (kg)		Package Type (2)	Sales Unit	Stock (1)	Product Number	Price (€)		
			Pack	Carton					Per kg	Per unit	Per 1000
NICRO 31/27			AWS E383-16*			EN E 27 31 4 Cu L R 12			PL : 4152		
2,5x350	91	1	1,8	1,8	PE tube	PK	B	544008	20,03	36,05	396,10
3,2x350	66	1	2,0	2,0	PE tube	PK	B	544015	20,36	40,73	617,05
4,0x350	45	1	2,0	2,0	PE tube	PK	B	544022	18,53	37,05	823,33
NICRO 60/20			AWS ENiCrMo-3			ISO E Ni 6625 (NiCr22Mo9Nb)			PL : 4152		
2,5x300	94	1	1,6	1,6	PE tube	PK	B	544053	35,03	56,04	596,17
3,2x300	61	1	1,7	1,7	PE tube	PK	B	544060	37,45	63,67	1043,69
4,0x350	45	1	2,1	2,1	PE tube	PK	B	544077	36,34	76,31	1695,75
NICRO 70/15			AWS ENiCrFe-2*			ISO E Ni 6182 (NiCr15Fe6Mn)*			PL : 4152		
2,5x300	90	1	1,6	1,6	PE tube	PK	B	544220	26,38	42,20	468,89
3,2x300	57	1	1,9	1,9	PE tube	PK	B	544237	27,76	52,75	925,42
4,0x350	41	1	2,0	2,0	PE tube	PK	B	544244	27,43	54,85	1337,80
NICRO 70/15Mn			AWS ENiCrFe-3			ISO E Ni 6182 (NiCr15Fe6Mn)			PL : 4152		
2,5x300	91	1	1,6	1,6	PE tube	PK	B	544275	26,80	42,88	471,21
3,2x300	60	1	1,7	1,7	PE tube	PK	B	544282	30,05	51,09	851,42
4,0x350	39	1	1,9	1,9	PE tube	PK	B	544299	27,26	51,80	1328,17
5,0x450	45	1	4,5	4,5	PE tube	PK	C	544305	28,84	129,77	2883,75
NICRO 70/19			AWS ENiCrFe-2*			ISO E Ni 6082 (NiCr20Mn3Nb)			PL : 4152		
2,5x300	76	1	1,5	1,5	PE tube	PK	B	544176	27,24	40,86	537,58
3,2x300	48	1	1,5	1,5	PE tube	PK	B	544183	26,04	39,06	813,67
4,0x350	31	1	1,8	1,8	PE tube	PK	B	544190	25,74	46,33	1494,44
NICROMO 59/23			AWS ENiCrMo-13			ISO E Ni 6059 (NiCr23Mo16)			PL : 4152		
3,2x350	52	1	1,8	1,8	PE tube	PK	C	544442	60,11	108,20	2080,82
NICROMO 60/16			AWS ENiCrMo-4			ISO E Ni 6276 (NiCr15Mo15Fe6W4)			PL : 4152		
2,5x300					PE tube	PK	B	544504		On request	
3,2x350	1		1,8	1,8	PE tube	PK	C	544511		On request	
4,0x350					PE tube	PK	B	544528		On request	
NYLOID 2			AWS ENiCrMo-6			ISO E Ni 6620 (NiCr14Mo7Fe)			PL : 4152		
2,5x350	62	8	1,7	13,6	SRP	PK	C	542721		On request	
3,2x350	50	8	2,2	17,6	SRP	PK	C	542738		On request	
4,0x350	27	8	1,8	14,4	SRP	PK	C	542745		On request	
5,0x450	11	10	1,5	15,0	SRP	PK	C	542752		On request	
NICU 70/30			AWS ENiCu-7			ISO E Ni 4060 (NiCu30Mn3Ti)			PL : 4152		
2,5x300	105	1	1,7	1,7	PE tube	PK	B	544336	28,85	49,05	467,10
3,2x350	61	1	1,9	1,9	PE tube	PK	B	544343	25,98	49,35	809,06
4,0x350	45	1	2,1	2,1	PE tube	PK	B	544350	28,38	59,59	1324,17

(1) A: in stock - B: 2 to 4 weeks delivery - C: consult us for delivery time

(2) CB = Carton box ; CB+PF= Carton box + plastic foil ; PB : Plastic box ; SRP = Sahara Ready Pack ; AC = Aluminium can

Solid wires

Dia (mm)	Units per carton	Weight (kg)			Package Type	Sales Unit	Stock (1)	Product number	Price (€) Per kg
		Unit	Carton	Pallet					
LNM NiCr 31/27		AWS ER383			EN G 27 31 4 Cu L		PL : 4249		
1,2	1	10,0	10,0	-		KG	C	582055	23,39
LNM NiCr 60/20		AWS ERNiCrMo-3			ISO S Ni 6625 (NiCr22Mo9Nb)		PL : 4249		
0,8	1	15,0	15,0	1080,0	BS300-LW	KG	C	581577	35,73
1,0	1	15,0	15,0	1080,0	BS300-LW	KG	A	581584	35,16
1,2	1	15,0	15,0	750,0	BS300-LW	KG	A	581607	34,98
1,6	1	15,0	15,0	-	BS300-LW	KG	C	581621	34,60
LNM NiCr 70/19		AWS ERNiCr-3			ISO S Ni 6082 (NiCr20Mn3Nb)		PL : 4249		
0,8	1	15,0	15,0	-	BS300-LW	KG	C	582826	31,89
1,0	1	15,0	15,0	1080,0	BS300-LW	KG	A	582833	31,33
1,2	1	15,0	15,0	1080,0	BS300-LW	KG	A	582840	31,14
1,6	1	15,0	15,0	-	BS300-LW	KG	C	582543	30,76
LNM NiCrMo 60/16		AWS ERNiCrMo-4			ISO S Ni 6276 (NiCr15Mo15Fe6W4)		PL : 4249		
0,8	1	15,0	15,0	-	BS300	KG	C	581324	39,07
1,0	1	15,0	15,0	-	BS300	KG	C	581331	38,51
1,2	1	15,0	15,0	-	BS300	KG	C	581344	38,32
1,6	1	15,0	15,0	-	BS300	KG	C	581355	37,94
LNM NiCu 70/30		AWS ERNiCu-7			ISO S Ni 4060 (NiCu30Mn3Ti)		PL : 4249		
1,0	1	15,0	15,0	1080,0	BS300-LW	KG	C	581508	29,04
1,2	1	15,0	15,0	1080,0	BS300-LW	KG	A	586038	28,85
LNM NiFe		AWS ENiFe-CI			ISO S Ni Fe-CI		PL : 4249		
1,2	1	15,0	15,0	1080,0	B300-LW	KG	A	582116	20,52
LNM NiTi		AWS ERNi1			ISO S Ni 2061 (NiTi3)		PL : 4249		
1,2	1	15,0	15,0	1080,0	BS300-LW	KG	C	583052	29,54
1,6	1	15,0	15,0	-	BS300-LW	KG	C	583069	29,16
LNM CuAl8		AWS ERCuAl-A1			EN S Cu 6100 (CuAl8)		PL : 4249		
0,8	1	12,0	12,0	600,0	B300-LW	KG	C	582949	9,09
1,0	1	12,0	12,0	500,0	B300-LW	KG	A	582871	8,53
1,2	1	12,0	12,0	360,0	B300-LW	KG	A	581478	8,02
1,6	1	12,0	12,0	864,0	B300-LW	KG	C	581317	7,78
LNM CuNi30		AWS ERCuNi			EN S Cu 7158 (CuNi30)		PL : 4249		
0,8	1	15,0	15,0	1080,0	B300-LW	KG	C	582956	23,29
1,0	1	15,0	15,0	-	B300-LW	KG	C	582963	22,73
1,2	1	15,0	15,0	1080,0	B300-LW	KG	A	582932	22,54

(1) A: in stock - B: 2 to 4 weeks delivery - C: consult us for delivery time

Solid wires (continued)

Dia (mm)	Units per carton	Weight (kg)			Package Type	Sales Unit	Stock (1)	Product number	Price (€) Per kg
		Unit	Carton	Pallet					
LNM CuSn		<i>AWS ERCu</i>			<i>EN S Cu 1898 (CuSn1)</i>			<i>PL : 4249</i>	
1,0	1	12,0	12,0	-	B300-LW	KG	C	581485	8,66
1,2	1	12,0	12,0	-	B300-LW	KG	A	580945	8,27
LNM CuSn12					<i>EN S Cu 5410 (CuSn12P)</i>			<i>PL : 4249</i>	
0,8	1	12,0	12,0	-	B300-LW	KG	C	582376	22,27
LNM CuSi3								<i>PL : 4349</i>	
0,8	1	12,0	12,0	600,0	B300-LW	KG	C	587029	8,96
1,0	1	12,0	12,0	500,0	B300-LW	KG	A	587036	8,27

(1) A: in stock - B: 2 to 4 weeks delivery - C: consult us for delivery time

TIG Rods

Dia (mm)	Units per carton	Weight (kg)			Package Type	Sales Unit	Stock (1)	Product number	Price (€) Per kg
		Unit	Carton	Pallet					
LNT NiCro 31/27		AWS ER383			EN W 27 31 4 Cu L			PL : 4349	
2,0	1	2,0	2,0	308,0	PE Tube	KG	A	605624	26,86
2,4	1	2,0	2,0	308,0	PE Tube	KG	A	605631	25,48
LNT NiCro 60/20		AWS ERNiCrMo-3			ISO S Ni 6625 (NiCr22Mo9Nb)			PL : 4349	
1,6	1000	1	2,0	2,0	PE Tube	KG	A	605723	34,82
1,6	1000	1	10,0	10,0	Carton box	KG	C	600544	34,45
2,0	1000	1	2,0	2,0	PE Tube	KG	A	605730	34,58
2,0	1000	1	10,0	10,0	Carton box	KG	A	600551	34,20
2,4	1000	1	2,0	2,0	PE Tube	KG	A	605747	34,39
2,4	1000	1	10,0	10,0	Carton box	KG	A	600568	34,01
3,2	1000	1	2,0	2,0	PE Tube	KG	C	605851	34,28
3,2	1000	1	10,0	10,0	Carton box	KG	C	600575	33,92
LNT NiCro 70/19		AWS ERNiCr-3			ISO S Ni 6082 (NiCr20Mn3Nb)			PL : 4349	
2,0	1000	1	2,0	2,0	PE Tube	KG	A	605648	31,02
2,0	1000	1	10,0	10,0	Carton box	KG	A	600605	30,65
2,4	1000	1	2,0	2,0	PE Tube	KG	A	605655	30,84
2,4	1000	1	10,0	10,0	Carton box	KG	A	600612	30,46
3,2	1000	1	2,0	2,0	PE Tube	KG	C	605822	30,73
3,2	1000	1	10,0	10,0	Carton box	KG	A	600629	30,36
LNT NiCroMo 59/23		AWS ERNiCrMo-13			ISO S Ni 6059 (NiCr23Mo16)			PL : 4349	
2,0	1000	1	2,0	2,0	PE Tube	KG	A	605754	109,36
2,4	1000	1	2,0	2,0	PE Tube	KG	A	605938	106,85
LNT NiCroMo 60/16		AWS ERNiCrMo-4			ISO S Ni 6276 (NiCr15Mo15Fe6W4)			PL : 4249	
2,0	1	15,0	15,0	308,0	PE Tube	KG	C	606706	38,31
2,4	1	15,0	15,0	500,0	PE Tube	KG	B	606645	37,74
LNT NiCu 70/30		AWS ERNiCu-7			ISO S Ni 4060 (NiCu30Mn3Ti)			PL : 4349	
1,6	1000	1	2,0	2,0	PE Tube	KG	B	605198	27,87
1,6	1000	1	10,0	10,0	Carton box	KG	C	600872	27,49
2,0	1000	1	2,0	2,0	PE Tube	KG	B	604726	27,61
2,0	1000	1	10,0	10,0	Carton box	KG	A	600896	27,25
2,4	1000	1	2,0	2,0	PE Tube	KG	B	604733	27,42
2,4	1000	1	10,0	10,0	Carton box	KG	A	600902	27,06
3,2	1000	1	2,0	2,0	PE Tube	KG	C	604740	27,33
3,2	1000	1	10,0	10,0	Carton box	KG	C	600926	26,95
LNT NiTi		AWS ERNi1			ISO S Ni 2061 (NiTi3)			PL : 4349	
2,0	1000	1	2,0	2,0	PE Tube	KG	C	604757	29,38
2,0	1000	1	10,0	10,0	Carton box	KG	A	600858	29,01
2,4	1000	1	2,0	2,0	PE Tube	KG	C	604764	29,19
2,4	1000	1	10,0	10,0	Carton box	KG	A	600865	28,82

(1) A: in stock - B: 2 to 4 weeks delivery - C: consult us for delivery time

TIG Rods (continued)

Dia (mm)	Length (mm)	Units per carton	Weight (kg)		Package Type	Sales Unit	Stock (1)	Product number	Price (€) Per kg
			Unit	Carton					
LNT CuNi30			AWS ERCuNi		ISO S Cu 7158 (CuNi30)			PL : 4349	
1,6	1000	1	2,0	2,0	PE Tube	KG	A	605457	22,78
1,6	1000	1	10,0	10,0	Carton box	KG	C	606416	22,41
2,0	1000	1	2,0	2,0	PE Tube	KG	A	605464	22,53
2,0	1000	1	10,0	10,0	Carton box	KG	A	606423	22,15
2,4	1000	1	2,0	2,0	PE Tube	KG	A	605471	22,34
2,4	1000	1	10,0	10,0	Carton box	KG	A	606430	21,96
3,2	1000	1	2,0	2,0	PE Tube	KG	A	605488	22,24
3,2	1000	1	10,0	10,0	Carton box	KG	C	606447	21,87
LNT CuSi3			AWS ERCuSi-A		ISO S Cu 6560 (CuSi3Mn1)			PL : 4349	
2,0	1000	1	2,0	2,0	PE Tube	KG	A	604696	8,79
2,0	1000	1	10,0	10,0	Carton Box	KG	A	606553	8,42
2,4	1000	1	2,0	2,0	PE Tube	KG	A	604719	8,71
2,4	1000	1	10,0	10,0	Carton Box	KG	A	606560	8,33
LNT CuSn6			AWS ERCuSn-A		ISO S Cu 5180 (CuSn6P)			PL : 4349	
2,0	1000	1	2,0	2,0	PE Tube	KG	A	605020	8,91
2,0	1000	1	10,0	10,0	Carton Box	KG	A	606485	8,53
2,4	1000	1	2,0	2,0	PE Tube	KG	A	605037	8,79
2,4	1000	1	10,0	10,0	Carton Box	KG	A	606492	8,42
3,2	1000	1	2,0	2,0	PE Tube	KG	A	605044	8,66
3,2	1000	1	10,0	10,0	Carton Box	KG	A	606508	8,29
4,0	1000	1	2,0	2,0	PE Tube	KG	A	605051	8,54
4,0	1000	1	10,0	10,0	Carton Box	KG	A	606515	8,16

(1) A: in stock - B: 2 to 4 weeks delivery - C: consult us for delivery time

Subarc wires

Dia (mm)	Units per carton	Weight (kg)			Package Type	Sales Unit	Stock (1)	Product number	Price (€) Per kg
		Unit	Carton	Pallet					
LNS NiCro 60/20		AWS ER NiCrMo-3			ISO S Ni 6625			PL : 4449	
1,6	1	25,0	25,0	-	Coil	KG	C	598717	34,22
2,0	1	25,0	25,0	750,0	Coil	KG	C	598698	33,96
2,4	1	25,0	25,0	1000,0	Coil	KG	C	598803	33,78

(1) A: in stock - B: 2 to 4 weeks delivery - C: consult us for delivery time

Electrodes

Dia x length (mm)	Pieces per pack	Pack per carton	Weight (kg)		Package Type (2)	Sales Unit	Stock (1)	Product Number	Price (€)		
			Pack	Carton					Per kg	Per unit	Per 1000
Al99.8			AWS E1100*			ISO Al 1080A (Al 99.8(A))			PL : 4154		
2,5x350	217	140	2,0	280,0	AC	PK	C	800531	20,60	41,20	189,86
3,2x350	143	140	2,0	280,0	AC	PK	C	800548	20,11	40,23	281,32
4,0x350	98	140	2,0	280,0	AC	PK	C	800555	20,20	40,40	412,24
AlMn			AWS E3003*			ISO Al 3103 (AlMn 1)			PL : 4154		
2,5x350	222	140	2,0	280,0	AC	PK	C	809718	20,71	41,43	186,62
3,2x350	146	140	2,0	280,0	AC	PK	C	800579	17,49	34,97	239,53
4,0x350	98	140	2,0	280,0	AC	PK	C	815238	20,53	41,06	418,95
AISI5			AWS E4043			ISO Al 4043A (AISI5(A))*			PL : 4154		
3,2x350	222	140	2,0	280,0	AC	PK	B	800593	14,53	29,06	130,89
3,2x350	152	140	2,0	280,0	AC	PK	A	800609	13,10	26,20	172,37
4,0x350	98	140	2,0	280,0	AC	PK	A	800616	20,17	40,34	411,66
AISI12						ISO Al 4047A (AISI12(A))			PL : 4154		
2,5x350	222	140	2,0	280,0	AC	PK	A	800623	14,09	28,17	126,90
3,2x350	152	140	2,0	280,0	AC	PK	A	800630	12,73	25,46	167,48
4,0x350	102	140	2,0	280,0	AC	PK	A	800647	20,67	41,34	405,32

(1) A: in stock - B: 2 to 4 weeks delivery - C: consult us for delivery time

(2) CB = Carton box ; CB+PF= Carton box + plastic foil ; PB : Plastic box ; SRP = Sahara Ready Pack ; AC = Aluminium can

Solid wires

Dia (mm)	Units per carton	Weight (kg)			Package Type	Sales Unit	Stock (1)	Product number	Price (€) Per kg
		Unit	Carton	Pallet					
LNM AI99.5		AWS ER1100*						PL : 4241	
1,0	1	7,0	7,0	-	B300-LW	KG	A	586008	5,05
1,2	1	7,0	7,0	-	B300-LW	KG	A	586015	4,85
1,6	1	7,0	7,0	-	B300-LW	KG	C	586022	4,62
LNM AIMg 3								ISO S AI 5754 (AIMg3)	PL : 4241
1,0	1	7,0	7,0	-	B300-LW	KG	A	586046	5,48
1,2	1	7,0	7,0	-	B300-LW	KG	A	586053	5,14
1,6	1	7,0	7,0	-	B300-LW	KG	C	586060	5,01
LNM AIMg 4.5Mn		AWS ER5183						ISO S AI 5183 (AIMg4.5Mn0.7)	PL : 4241
1,2	1	7,0	7,0	-	B300-LW	KG	A	586190	6,01
1,6	1	7,0	7,0	-	B300-LW	KG	A	586206	5,94
LNM AIMg 4.5MnZr								ISO S AI 5087 (AIMg4.5MnZr)	PL : 4241
1,0	1	7,0	7,0	-	B300-LW	KG	C	586398	7,66
1,2	1	7,0	7,0	-	B300-LW	KG	A	586404	6,92
1,6	1	7,0	7,0	-	B300-LW	KG	C	586411	6,78
LNM AIMg5		AWS ER5356						ISO S AI 5356 (AIMg5Cr)	PL : 4241
0,8	1	6,0	6,0	-	B300-LW	KG	A	586114	6,15
1,0	3	2,0	6,0	-	S200-LW	KG	C	586091	6,59
1,0	1	7,0	7,0	-	B300-LW	KG	A	586121	5,72
1,2	1	2,0	2,0	-	S200-LW	KG	C	586077	5,98
1,2	1	7,0	7,0	-	B300-LW	KG	A	586138	5,29
1,6	1	7,0	7,0	-	B300-LW	KG	A	586145	5,18
LNM AISi5		AWS ER4043						ISO S AI 4043A (AISi5 (A))	PL : 4241
1,0	1	2,0	2,0	-	S200-LW	KG	C	586350	6,56
1,0	1	7,0	7,0	-	B300-LW	KG	A	586251	5,42
1,2	3	2,0	6,0	-	S200-LW	KG	C	586237	6,05
1,2	1	7,0	7,0	-	B300-LW	KG	A	586268	5,14
1,6	1	7,0	7,0	-	B300-LW	KG	A	586275	5,01
LNM AISi12		AWS ER4047						ISO S AI 4047A (AISi12 (A))	PL : 4241
1,0	1	7,0	7,0	-	B300-LW	KG	C	586329	6,87
1,2	1	7,0	7,0	-	B300-LW	KG	C	586336	6,64
1,6	1	7,0	7,0	-	B300-LW	KG	C	586343	6,16

(1) A: in stock - B: 2 to 4 weeks delivery - C: consult us for delivery time

Solid wires Superglaze

Dia (mm)	Units per carton	Weight (kg)			Package Type	Sales Unit	Stock (1)	Product number	Price (€) Per kg
		Unit	Carton	Pallet					
Superglaze MIG 4043		AWS ER 4043			ISO S AI 4043 (AISI5)			PL : 4241	
0,8	1	0,5	0,5	-	D-100	KG	C	582741	6,49
0,8	1	7,0	7,0	-	BS300-LW	KG	B	582666	6,21
1,0	1	0,5	0,5	-	D-100	KG	C	582758	5,82
1,0	1	7,0	7,0	-	BS300-LW	KG	A	582444	5,09
1,2	1	0,5	0,5	-	D-100	KG	C	582765	5,61
1,2	1	7,0	7,0	-	BS300-LW	KG	A	581836	4,66
1,6	1	0,5	0,5	-	D-100	KG	C	582772	5,73
1,6	1	7,0	7,0	-	BS300-LW	KG	A	581850	4,68
Superglaze MIG 5087		AWS ER 4043						PL : 4241	
1,2	1	7,0	7,0	-	BS300	KG	C	582680	6,04
Superglaze MIG 5183		AWS ER 5183			ISO S AI 5183 (AlMg4.5Mn0.7)			PL : 4241	
1,0	1	7,0	7,0	-	BS300-LW	KG	A	582581	6,21
1,2	1	0,5	0,5	-	D-100	KG	C	582611	6,48
1,2	1	7,0	7,0	-	BS300-LW	KG	A	582598	5,35
1,6	1	7,0	7,0	-	BS300-LW	KG	A	582604	5,35
Superglaze MIG 5356		AWS ER 5356			ISO S AI 5356 (AlMg5Cr)			PL : 4241	
0,8	1	0,5	0,5	-	D-100	KG	C	582987	6,56
0,8	1	7,0	7,0	-	BS300-LW	KG	A	582451	5,91
1,0	1	0,5	0,5	-	S100-LW	KG	C	582994	6,27
1,0	1	7,0	7,0	-	BS300-LW	KG	A	581744	5,47
1,2	1	0,5	0,5	-	S100-LW	KG	C	581881	5,67
1,2	1	2,0	2,0	-	D-200	KG	C	583014	5,14
1,2	1	7,0	7,0	-	BS300-LW	KG	A	581751	4,66
1,6	1	0,5	0,5	-	S100-LW	KG	A	583007	5,47
1,6	1	7,0	7,0	-	BS300-LW	KG	A	581775	4,34
Superglaze MIG 5754								PL : 4241	
1,0	1	7,0	7,0	-	BS300	KG	C	582727	7,81
1,2	1	7,0	7,0	-	BS300	KG	C	581676	4,35
1,6	1	7,0	7,0	-	BS300	KG	B	581690	6,55

(1) A: in stock - B: 2 to 4 weeks delivery - C: consult us for delivery time

TIG Rods

Dia (mm)	Length (mm)	Units per carton	Weight (kg)		Package Type	Sales Unit	Stock (1)	Product number	Price (€) Per kg
			Unit	Carton					
LNT AI99.5			AWS ER1100*						PL : 4341
2,0	1000	1	5,0	5,0	Carton box	KG	A	602180	5,06
2,4	1000	1	5,0	5,0	PE Tube	KG	A	602197	4,89
3,2	1000	1	5,0	5,0	Carton box	KG	A	602203	4,68
4,0	1000	1	5,0	5,0	Carton box	KG	C	602210	4,55
LNT AIMg3						ISO S Al 5754 (AIMg3)			PL : 4341
1,6	1000	1	5,0	5,0	Carton box	KG	C	602357	5,47
2,0	1000	1	5,0	5,0	Carton box	KG	A	602364	5,42
2,4	1000	1	5,0	5,0	Carton box	KG	A	604849	5,24
3,2	1000	1	5,0	5,0	Carton box	KG	A	602388	4,93
4,0	1000	1	5,0	5,0	Carton box	KG	C	602395	4,76
LNT AIMg4.5Mn			AWS ER5183			ISO S Al 5183 (AIMg4.5Mn0.7)			PL : 4341
2,0	1000	1	5,0	5,0	Carton box	KG	A	602548	6,22
2,4	1000	1	5,0	5,0	Carton box	KG	A	605013	6,07
3,2	1000	1	5,0	5,0	Carton box	KG	A	602562	5,74
4,0	1000	1	5,0	5,0	Carton box	KG	A	602579	5,64
LNT AIMg5			AWS ER5356			ISO S Al 5356 (AIMg5Cr)			PL : 4341
1,6	1000	1	5,0	5,0	Carton box	KG	A	602449	5,51
2,0	1000	1	5,0	5,0	Carton box	KG	A	602456	5,46
2,4	1000	1	5,0	5,0	Carton box	KG	A	604894	5,29
3,2	1000	1	5,0	5,0	Carton box	KG	A	602470	4,98
4,0	1000	1	5,0	5,0	Carton box	KG	A	602487	4,88
5,0	1000	1	5,0	5,0	Carton box	KG	C	602494	4,67
LNT AISi5			AWS ER4043			ISO S Al 4043A (AISi5 (A))			PL : 4341
1,6	1000	1	5,0	5,0	Carton box	KG	A	602623	5,45
2,0	1000	1	5,0	5,0	Carton box	KG	A	602630	5,33
2,4	1000	1	5,0	5,0	Carton box	KG	A	602647	5,16
3,2	1000	1	5,0	5,0	Carton box	KG	A	602654	4,84
4,0	1000	1	5,0	5,0	Carton box	KG	C	602661	4,72
LNT AISi12			AWS ER4047			ISO S Al 4047A (AISi12 (A))			PL : 4341
2,0	1000	1	5,0	5,0	Carton box	KG	A	602722	6,66
2,4	1000	1	5,0	5,0	PE Tube	KG	C	602760	6,48
3,2	1000	1	5,0	5,0	Carton box	KG	A	602746	6,16
4,0	1000	1	5,0	5,0	Carton box	KG	C	602753	6,04

(1) A: in stock - B: 2 to 4 weeks delivery - C: consult us for delivery time

TIG Rods Superglaze

Dia (mm)	Length (mm)	Units per carton	Weight (kg)		Package Type	Sales Unit	Stock (1)	Product number	Price (€) Per kg
			Unit	Carton					
Superglaze TIG-4043			AWS R 4043		ISO S AI 4043 (AISI5)			PL : 4341	
1,6	1000	1	5,0	5,0	Carton box	KG	A	601862	4,81
2,0	1000	1	5,0	5,0	Carton box	KG	C	601879	4,41
2,4	1000	1	5,0	5,0	Carton box	KG	A	601886	4,26
3,2	1000	1	5,0	5,0	Carton box	KG	A	601893	3,64
Superglaze TIG-5183			AWS R 5183		ISO S AI 5183 (AlMg4.5Mn0.7)			PL : 4341	
1,6	1000	1	5,0	5,0	Carton box	KG	A	601725	5,55
2,0	1000	1	5,0	5,0	Carton box	KG	A	601732	5,35
2,4	1000	1	5,0	5,0	Carton box	KG	C	601749	5,26
3,2	1000	1	5,0	5,0	Carton box	KG	C	601756	4,59
Superglaze TIG-5356			AWS R 5356		ISO S AI 5356 (AlMg5Cr)			PL : 4341	
1,6	1000	1	5,0	5,0	Carton box	KG	A	601795	4,54
2,0	1000	1	5,0	5,0	Carton box	KG	A	601800	4,93
2,4	1000	1	5,0	5,0	Carton box	KG	A	601817	4,41
3,2	1000	1	5,0	5,0	Carton box	KG	A	601824	3,88

(1) A: in stock - B: 2 to 4 weeks delivery - C: consult us for delivery time

Ceramic Backing Materials

Length (mm)	Meters per pack	Sales Unit	Stock (1)	Product Number	Price (€) per	
					Meter	Pack
LNB 6 round/tape <i>PL : 4991</i>						
60		PK	A	640007	3,22	193,32
LNB 9 round/tape <i>PL : 4991</i>						
60		PK	A	640014	3,16	136,66
LNB 12 round/tape <i>PL : 4991</i>						
60		PK	A	640021	3,35	120,65
LNB 21 concave/tape <i>PL : 4991</i>						
60		PK	A	640083	3,85	129,52
LNB 21-150 concave/tape <i>PL : 4991</i>						
60		PK	A	640090	3,05	102,36
LNB 21-150 concave/rail <i>PL : 4991</i>						
60		PK	A	640106	2,85	107,79
LNB 30 flat/tape <i>PL : 4991</i>						
60		PK	A	640151	3,72	124,96
LNB 30-150 flat/tape <i>PL : 4991</i>						
60		PK	A	640168	3,05	102,36
LNB 30-150 flat/rail <i>PL : 4991</i>						
60		PK	A	640175	2,85	107,79
LNB 40 flat/tape <i>PL : 4991</i>						
60		PK	A	640243	3,86	111,10
LNB 41 flat/wire <i>PL : 4991</i>						
100		PK	A	640229	3,23	77,61
Magnetic clamp use for LNB ceramics <i>PL : 4991</i>						
	-	PK	A	640236	-	97,86

(1) A: in stock - B: 2 to 4 weeks delivery - C: consult us for delivery time

Electrodes

Dia x length (mm)	Pieces per pack	Pack per carton	Weight (kg)		Package Type (2)	Sales Unit	Stock (1)	Product Number	Price (€)		
			Pack	Carton					Per kg	Per unit	Per 1000
PIPELINER 6P+			AWS E6010			EN E 42 3 C 25			PL : 4111		
2,5x300	-	6	4,5	27,2	Can	PK	A	ED031649	On request		
3,2x350	-	6	4,5	27,2	Can	PK	A	ED030845	On request		
4,0x350	-	6	4,5	27,2	Can	PK	A	ED030846	On request		
4,8x350	-	6	4,5	27,2	Can	PK	A	ED031652	On request		
PIPELINER 8P+			AWS E8010-P1			EN E 46 4 1Ni C 25			PL : 4121		
3,2x350	-	6	4,5	27,2	Can	PK	A	ED030829	On request		
4,0x350	-	6	4,5	27,2	Can	PK	A	ED030830	On request		
5,0x350	-	6	4,5	27,2	Can	PK	A	ED030831	On request		
PIPELINER 16P			AWS E7016 H4			EN E 42 3 B 12 H5			PL : 4114		
2,5x350	-	1	22,7	22,7	Can	PK	A	ED030916	On request		
3,2x350	-	1	22,7	22,7	Can	PK	A	ED030917	On request		
4,0x350	-	1	22,7	22,7	Can	PK	A	ED030918	On request		
PIPELINER 18P			AWS E8018-G-H4R			EN E 50 6 Mn1Ni B 32 H5			PL : 4124		
3,2x350	-	6	4,5	27,2	Can	PK	A	ED031901	On request		
4,0x350	-	6	4,5	27,2	Can	PK	A	ED031902	On request		
PIPELINER LH-D80			AWS E8018-G			EN E 46 4 B 35			PL : 4122		
2,5x350	-	6	4,5	27,2	Can	PK	A	ED030343	On request		
3,2x350	-	6	4,5	27,2	Can	PK	A	ED030344	On request		
4,0x350	-	6	4,5	27,2	Can	PK	A	ED030345	On request		
4,5x350	-	6	4,5	27,2	Can	PK	A	ED030346	On request		
PIPELINER LH-D90			AWS E9018-G			EN E 55 5 Mn1Ni B 35			PL : 4122		
2,5x350	-	6	4,5	27,2	Can	PK	A	ED030347	On request		
3,2x350	-	6	4,5	27,2	Can	PK	A	ED030348	On request		
4,0x350	-	6	4,5	27,2	Can	PK	A	ED030349	On request		
4,5x350	-	6	4,5	27,2	Can	PK	A	ED030350	On request		
PIPELINER LH-D100			AWS E10018-G			EN E 62 5 Mn1Ni B 35			PL : 4122		
3,2x350	-	6	4,5	27,2	Can	PK	A	ED030351	On request		
4,0x350	-	6	4,5	27,2	Can	PK	A	ED030352	On request		

(1) A: in stock - B: 2 to 4 weeks delivery - C: consult us for delivery time

(2) CB = Carton box ; CB+PF= Carton box + plastic foil ; PB : Plastic box ; SRP = Sahara Ready Pack ; AC = Aluminium can

